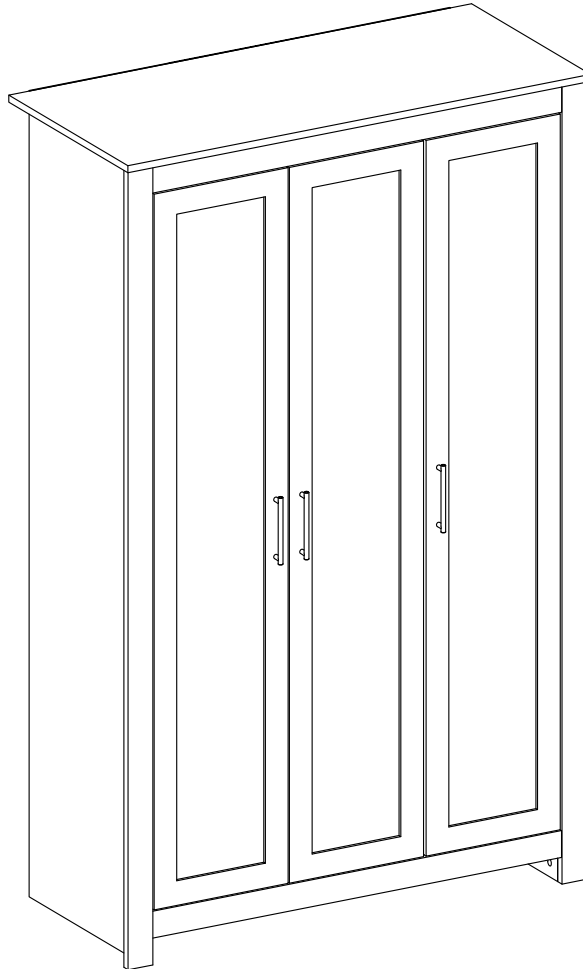




3 Doors Wardrobe

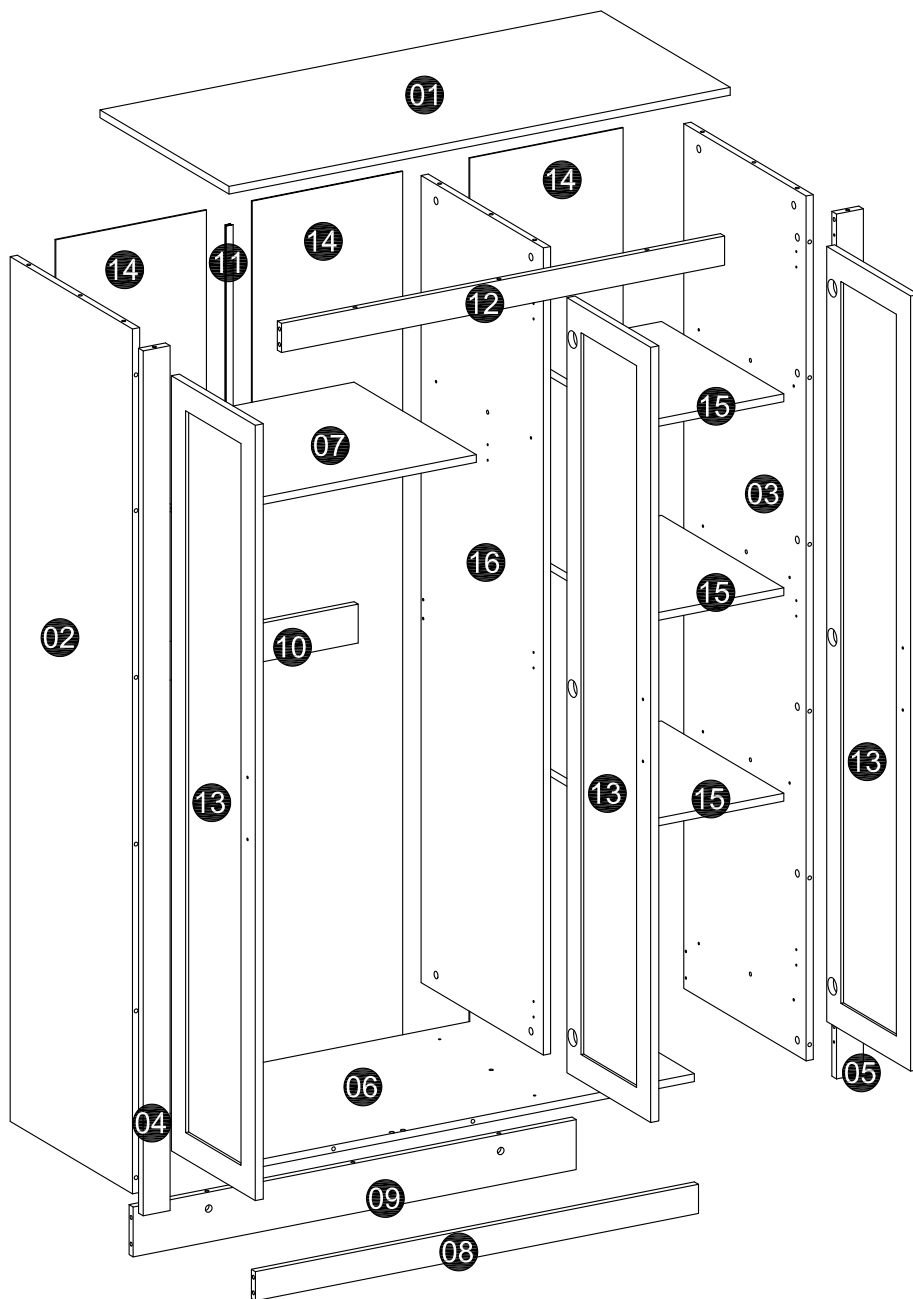
USER MANUAL | MODE D'EMPLOI | MANUAL DEL USUARIO | GEBRAUCHSANLEITUNG |
GEBRUIKSHANDLEIDING | MANUALE PER L'UTENTE | MANUAL DO UTILIZADOR

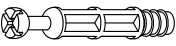

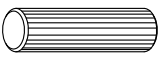

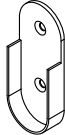
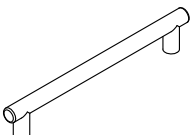


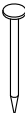
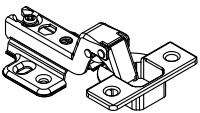
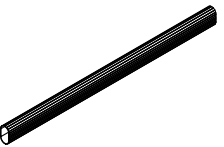
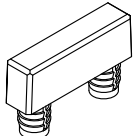
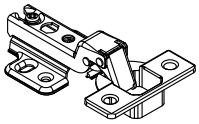
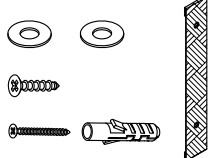


SKU: 21375 / 21376
21380 / 21381
BATCH NO.:DS388

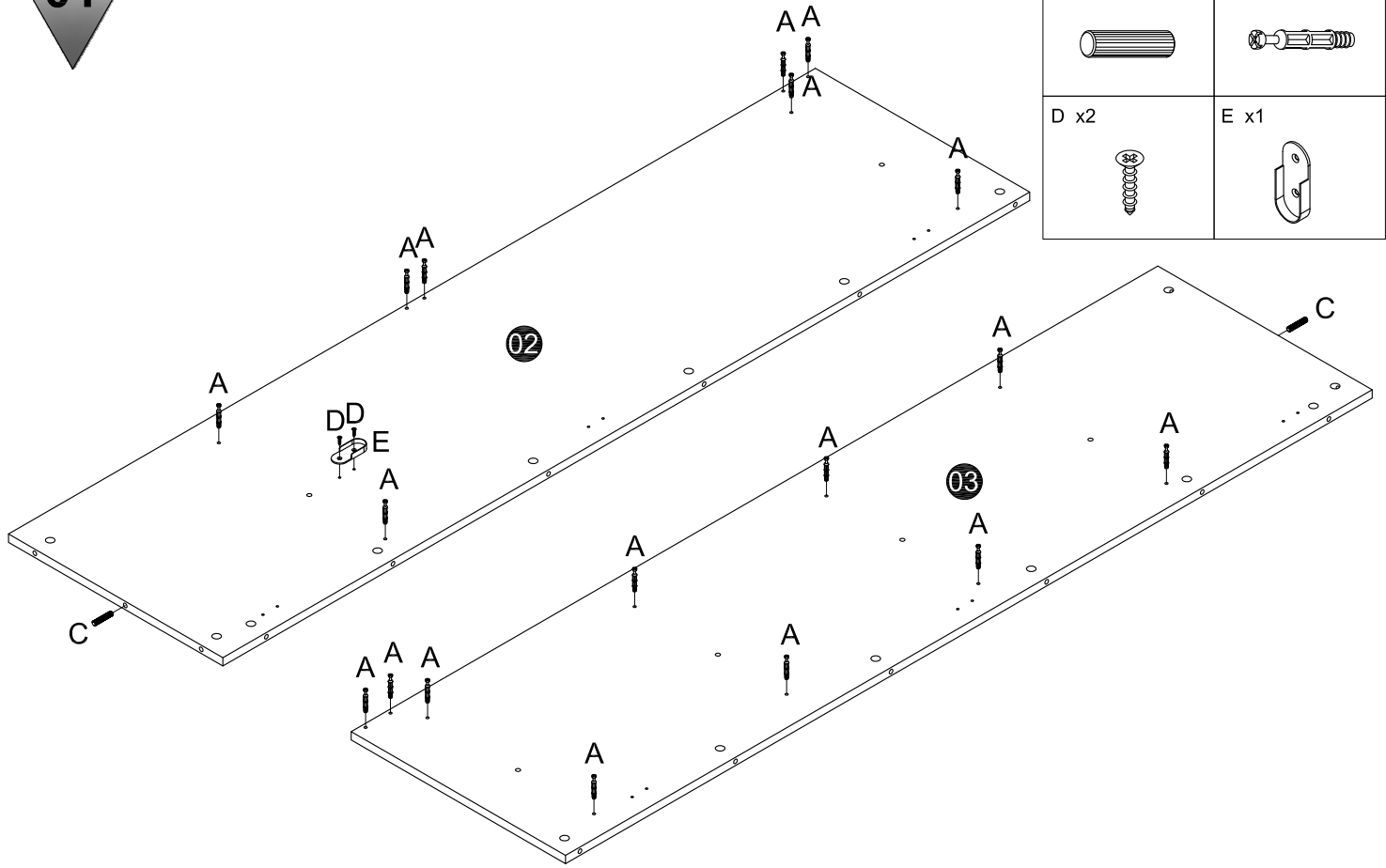
An illustration of a person standing with their hand on their chin, looking thoughtful. A large question mark is positioned above them. In the foreground, there are some wooden planks and a hammer, suggesting a problem with assembly.	An illustration of a person's head and shoulders, wearing a headset with a microphone, representing customer support. <p>Tel: 01217074423, Email: help@yakoe.co.uk</p>	An illustration of a person standing with their hand on their chin, looking thoughtful. To their right is a computer monitor displaying the website address yakoe.co.uk .
---	--	--





We will resolve the issues for you within 1 working day!



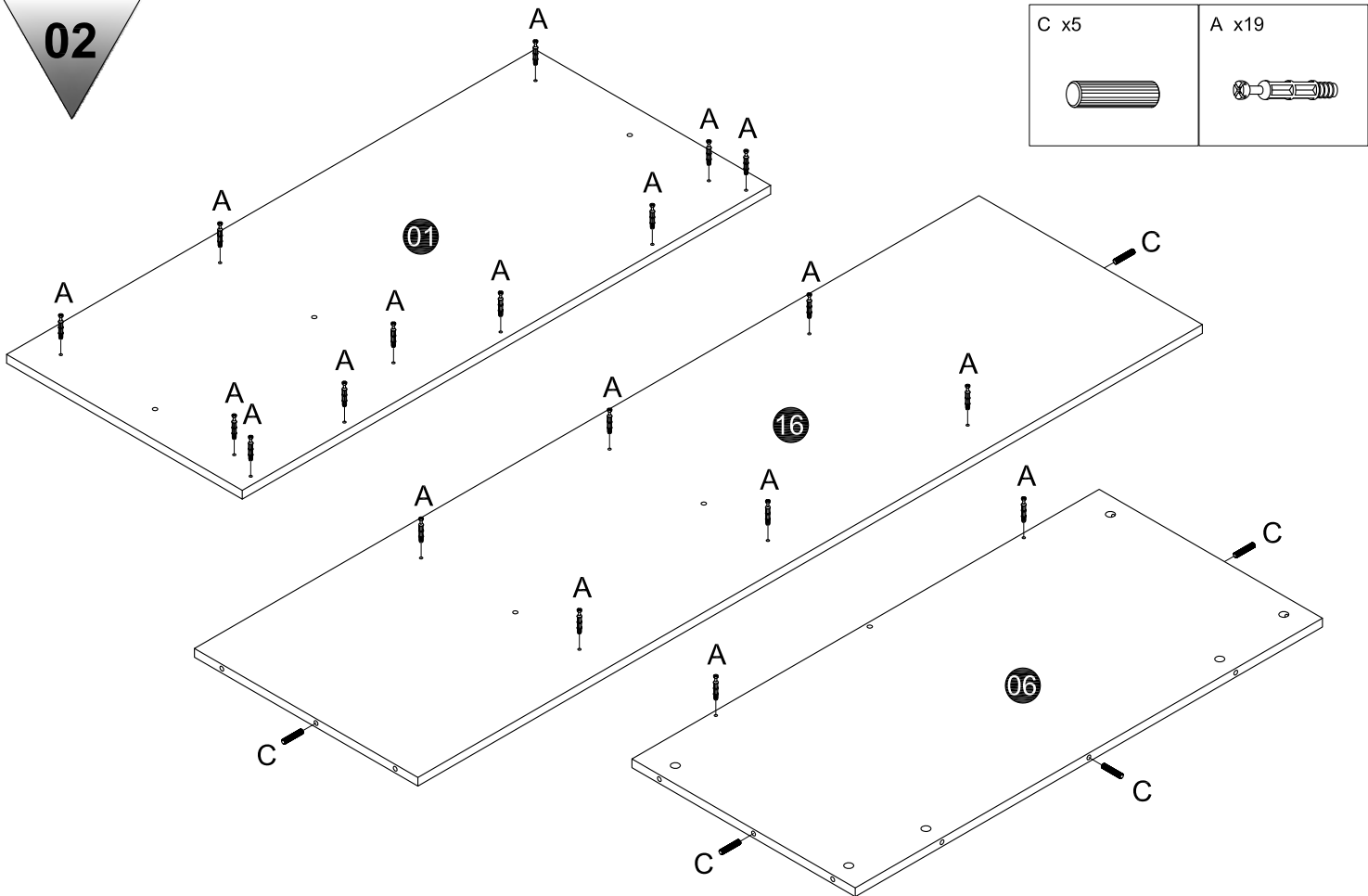
<p>A x61</p> 	<p>B x61</p> 	<p>C x20</p> 	<p>D x62</p> 	<p>E x2</p> 
<p>F x3</p> 	<p>G x6</p> 	<p>H x5</p> 	<p>I x40</p> 	<p>J x6</p> 
<p>K x1</p> 	<p>L x1</p> 	<p>M x3</p> 	<p>N x2</p> 	



01



C x2 	A x18 
D x2 	E x1 

02

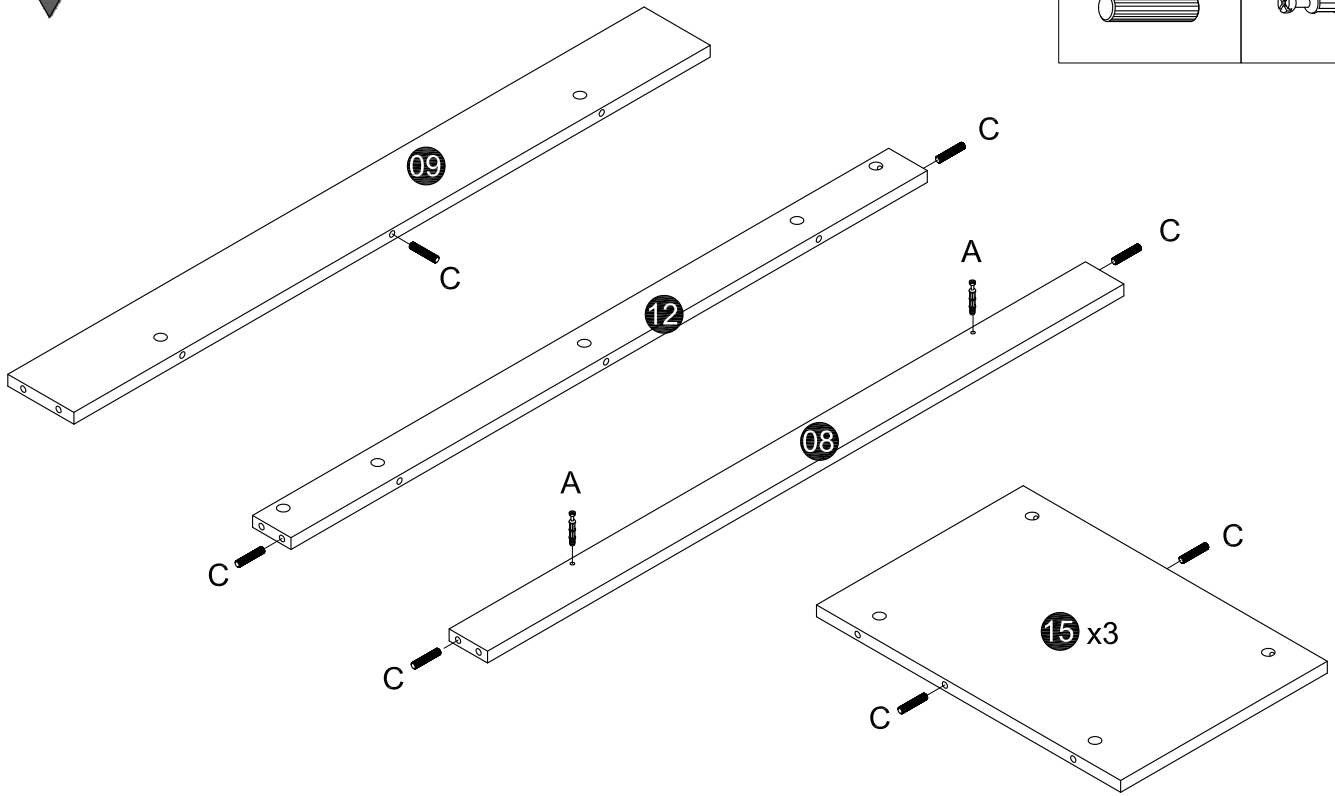
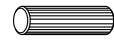


C x5 	A x19 
---	--

03

C x11

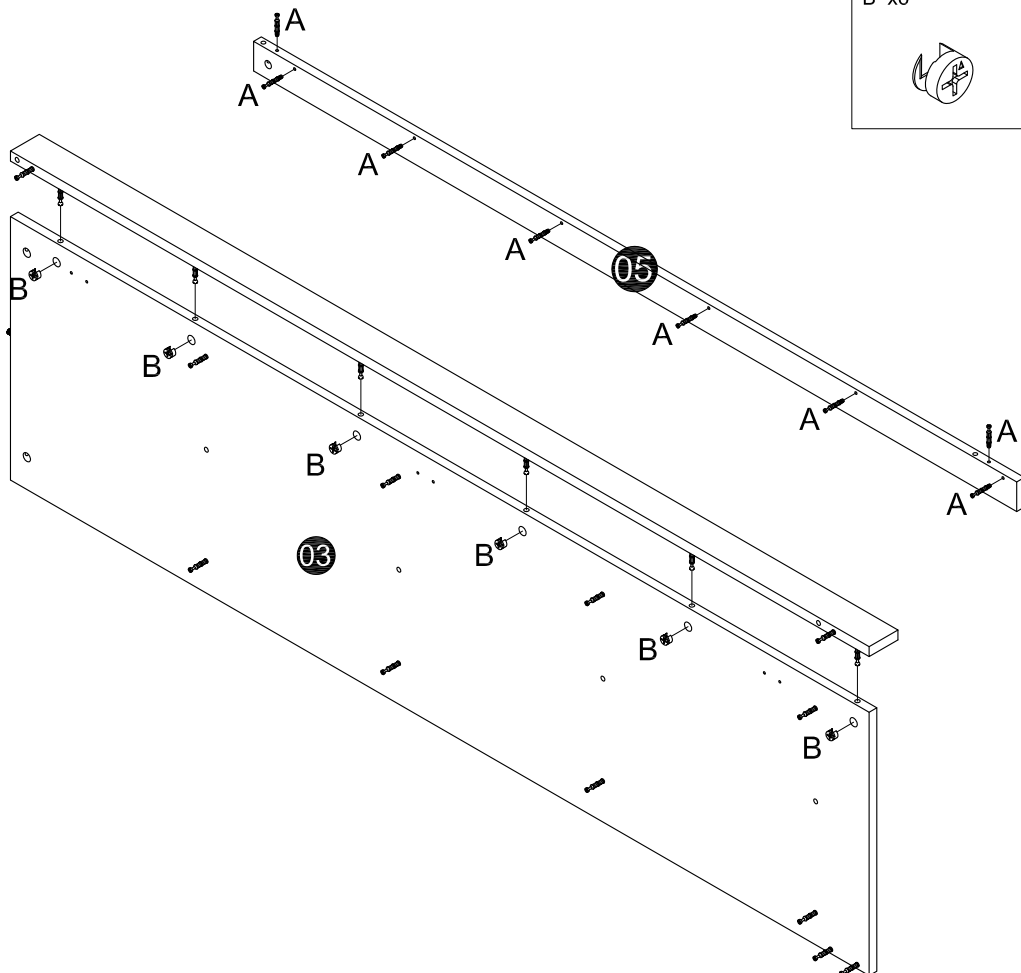
A x2



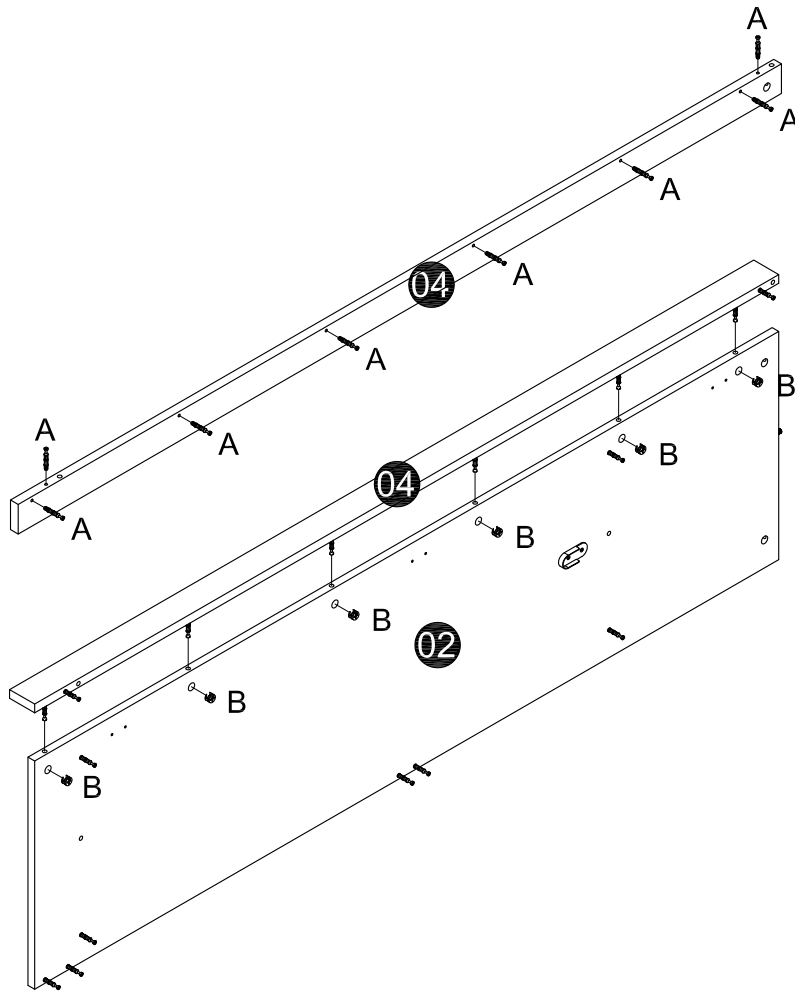
04

B x6

A x6



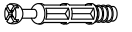
05



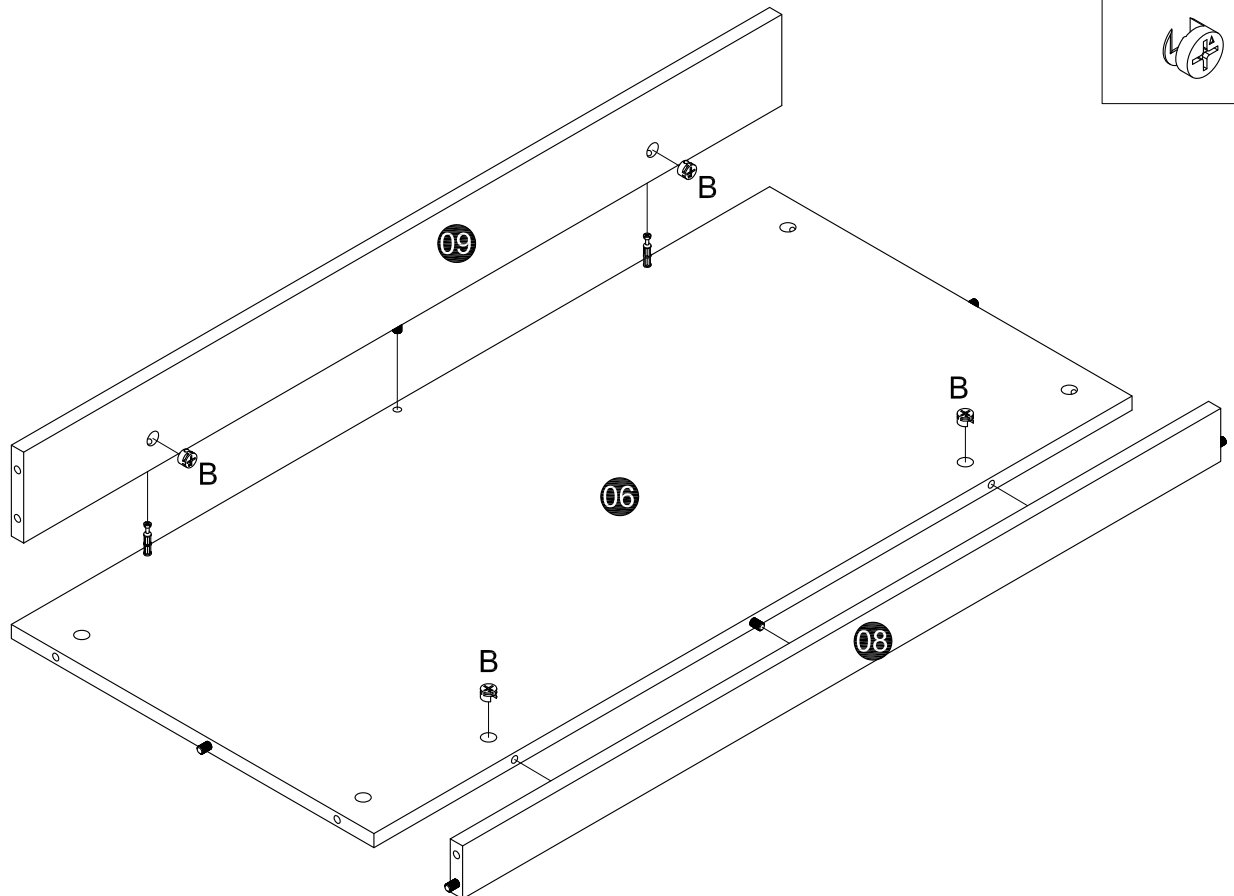
B x6



A x6



06



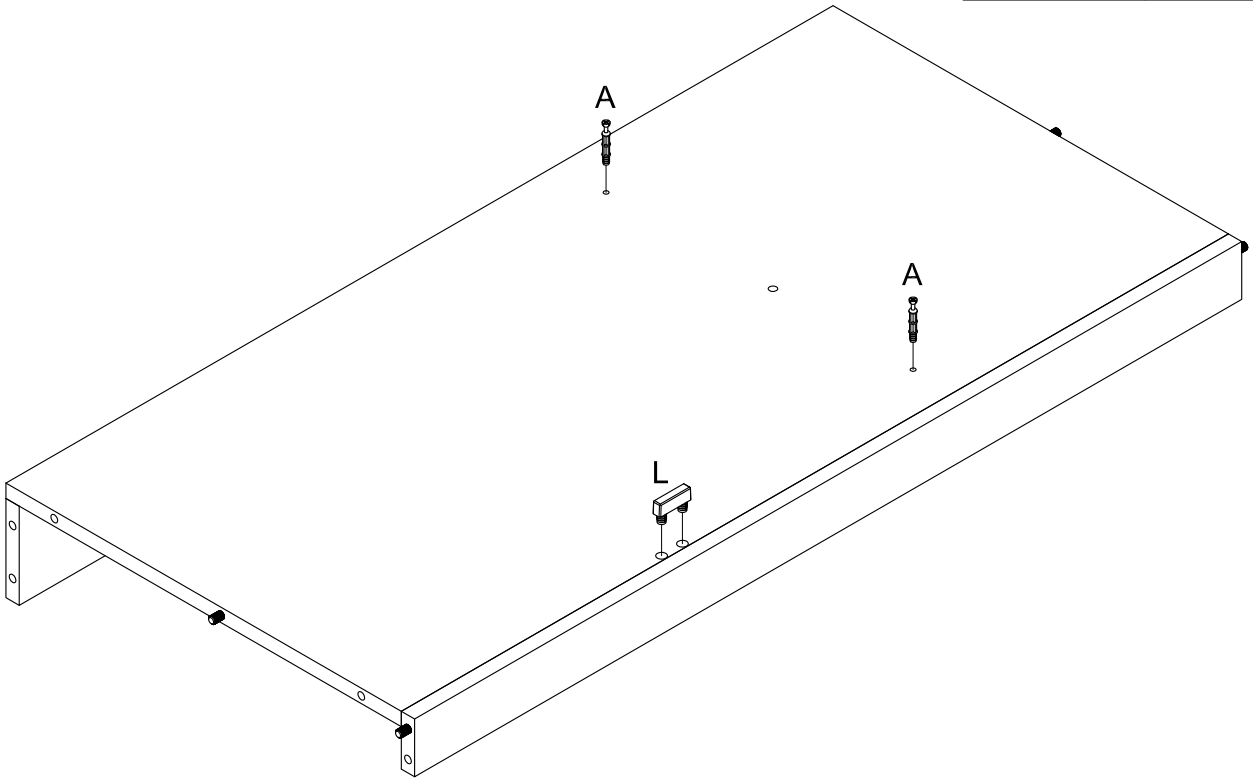
B x4



07

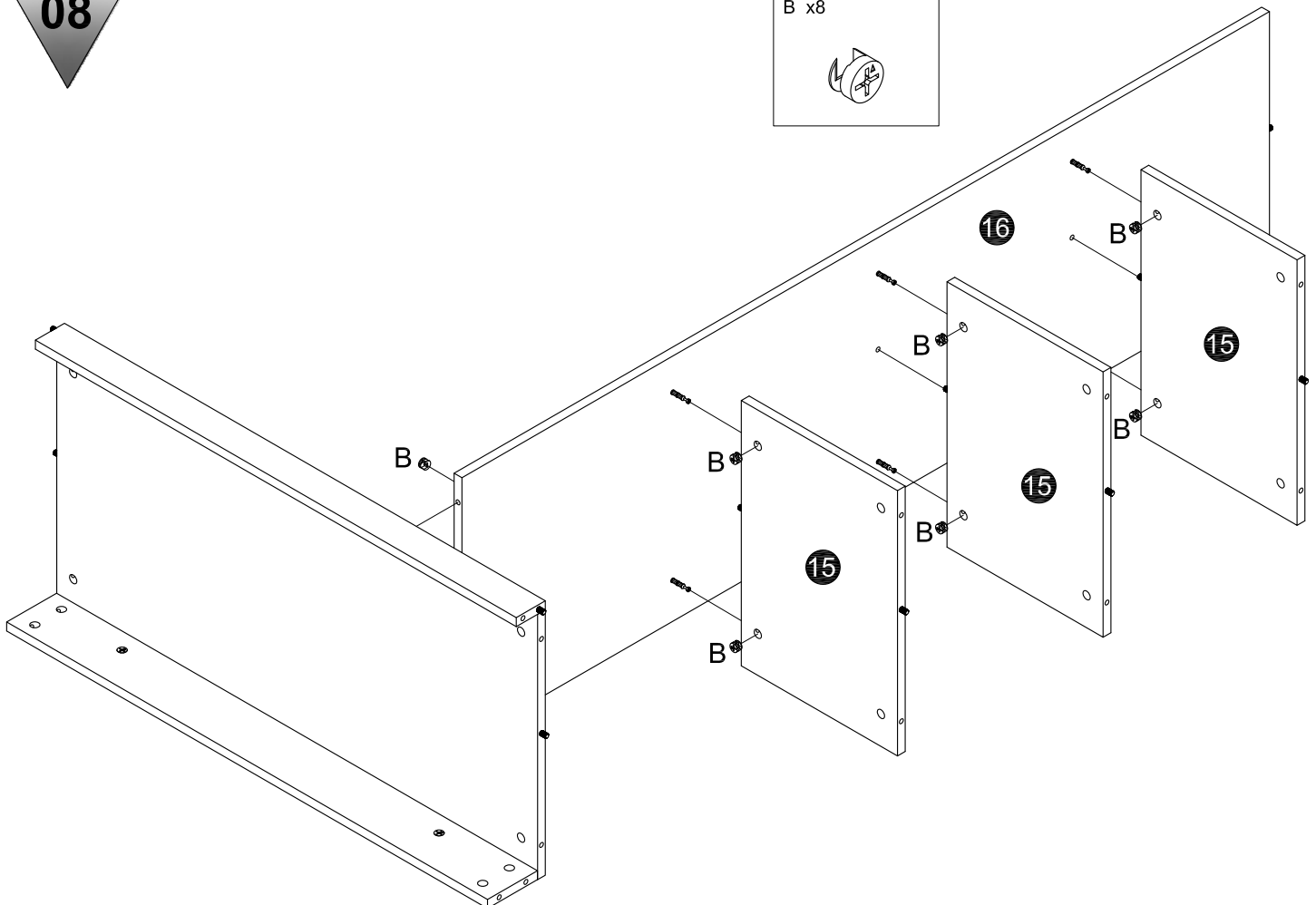
L x1

A x2



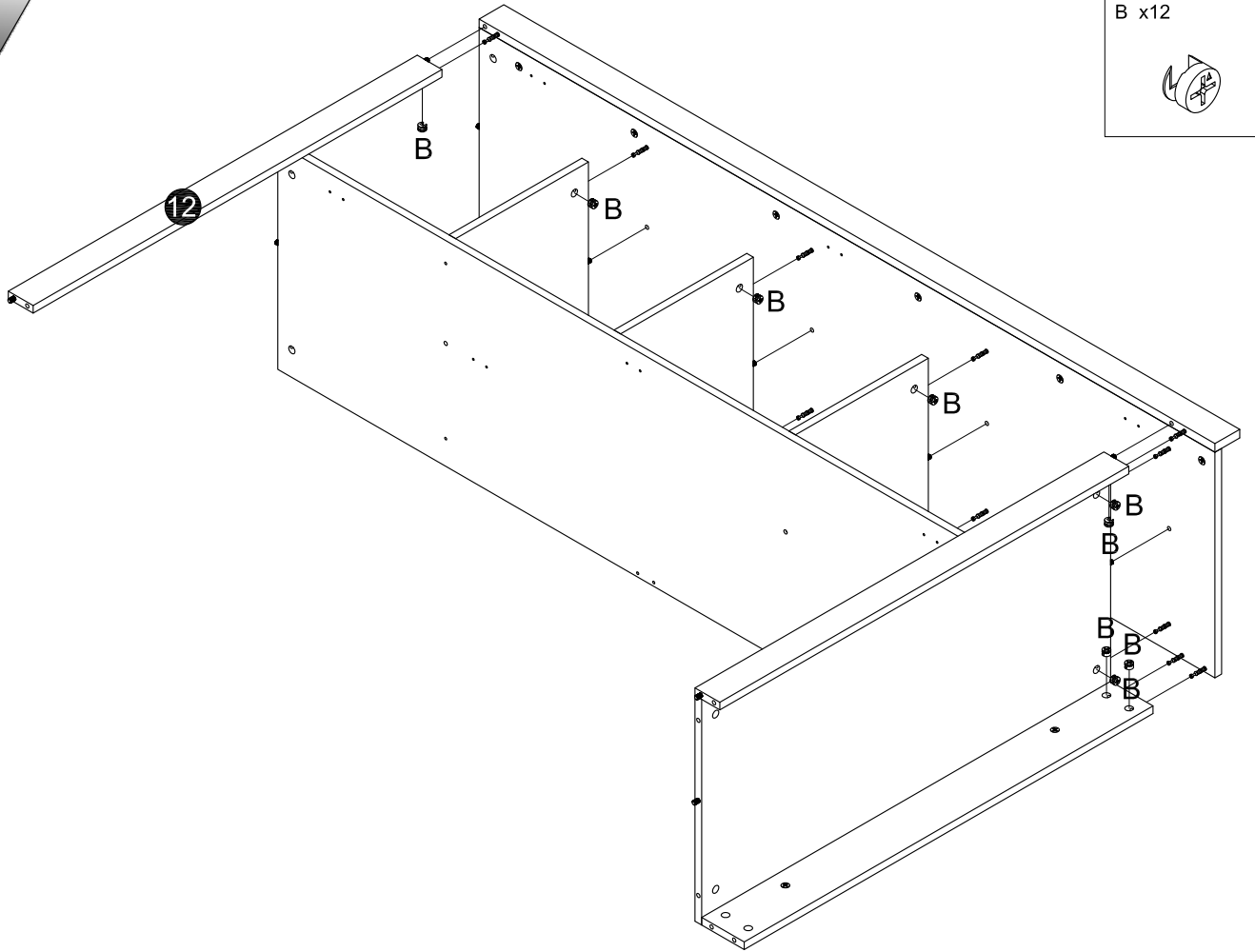
08

B x8



09

B x12

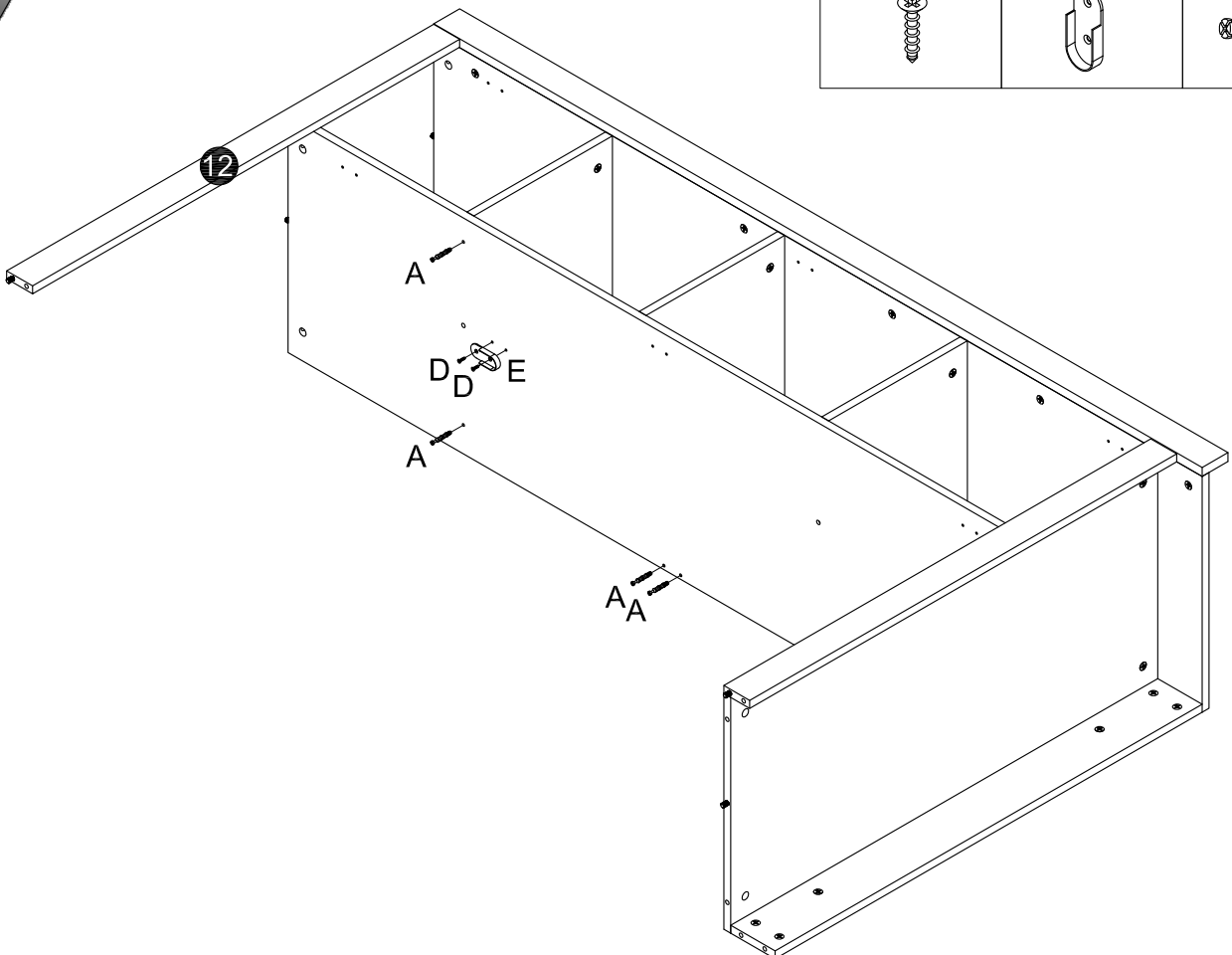
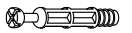


10

D x2

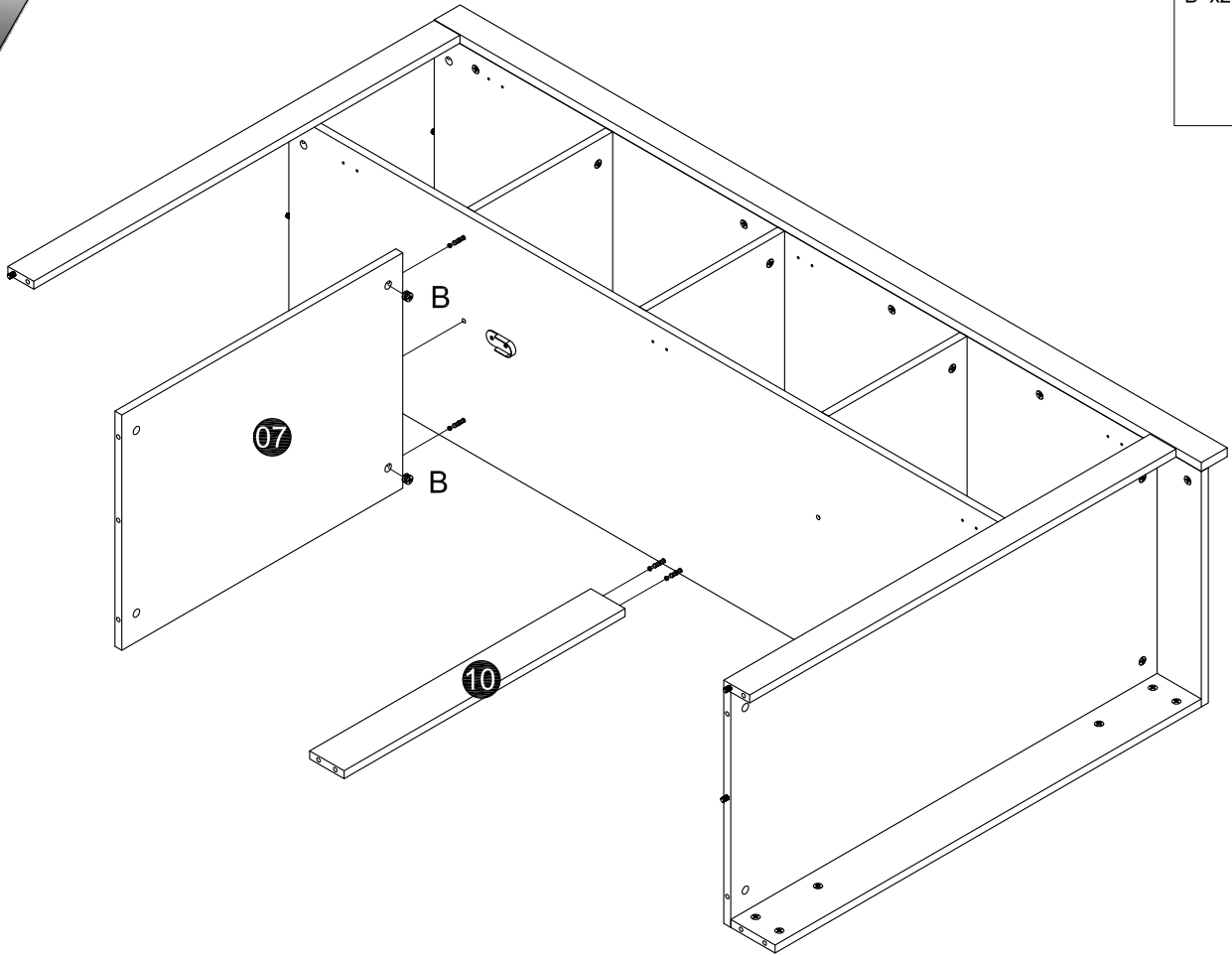
E x1

A x4



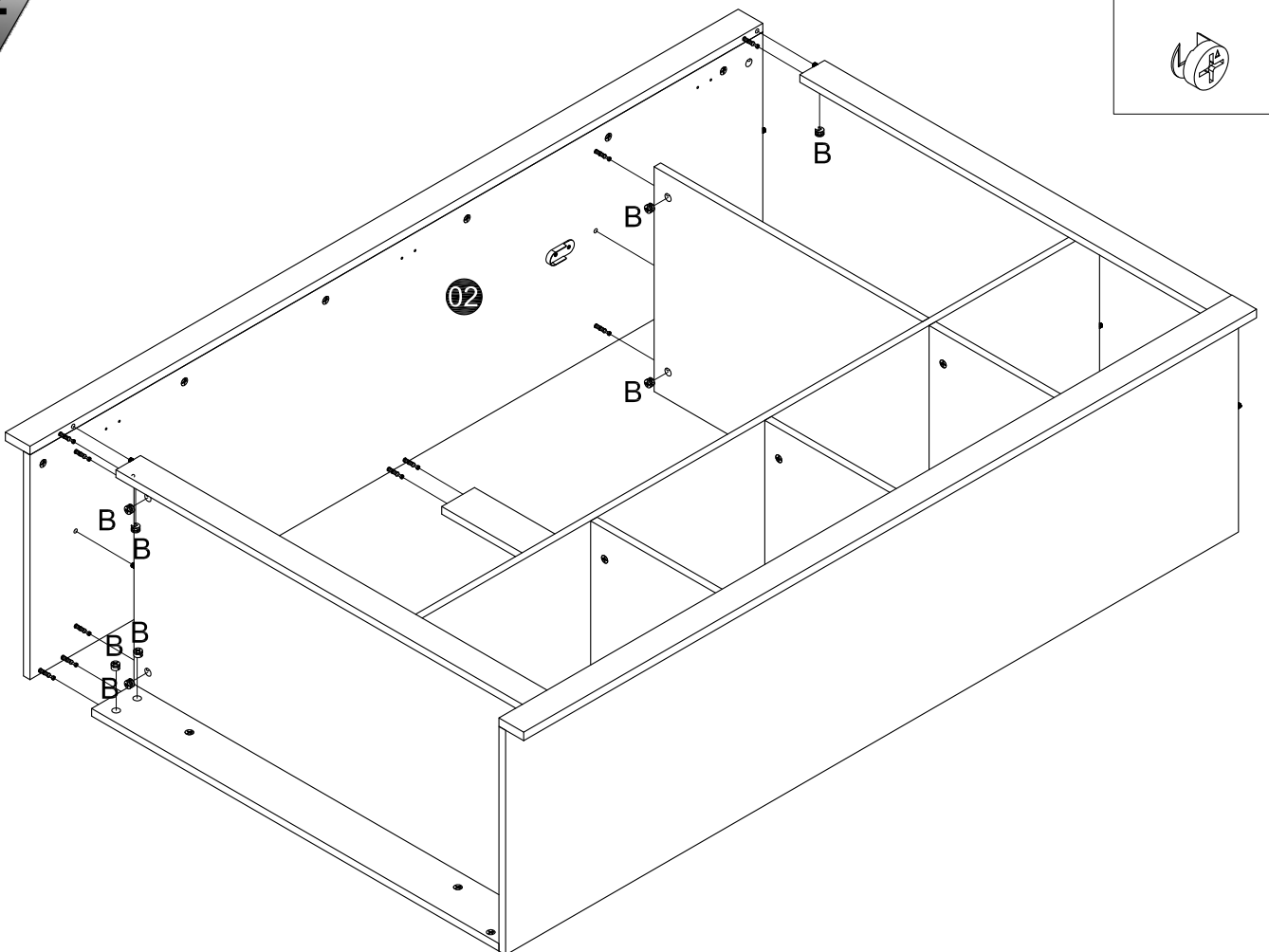
11

B x2

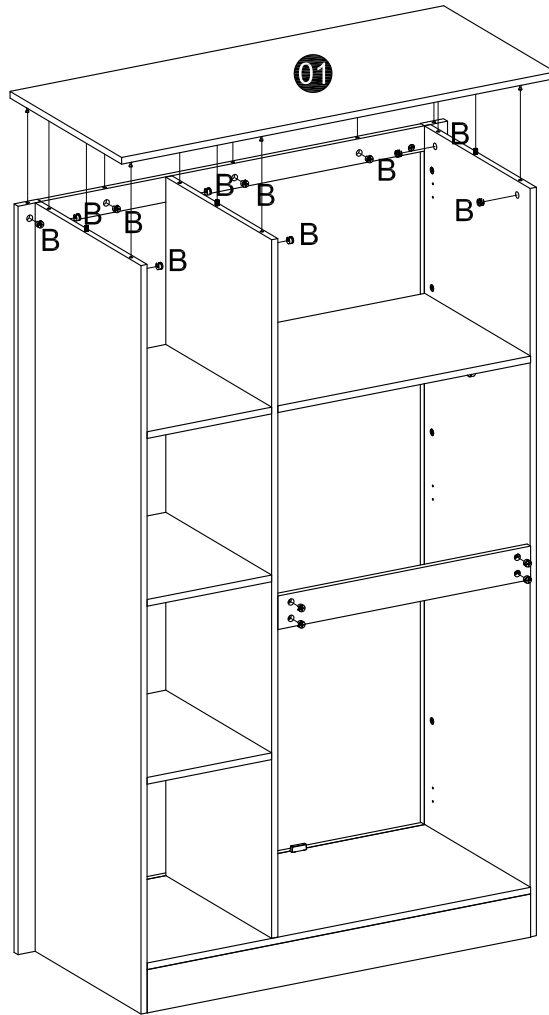


12

B x8



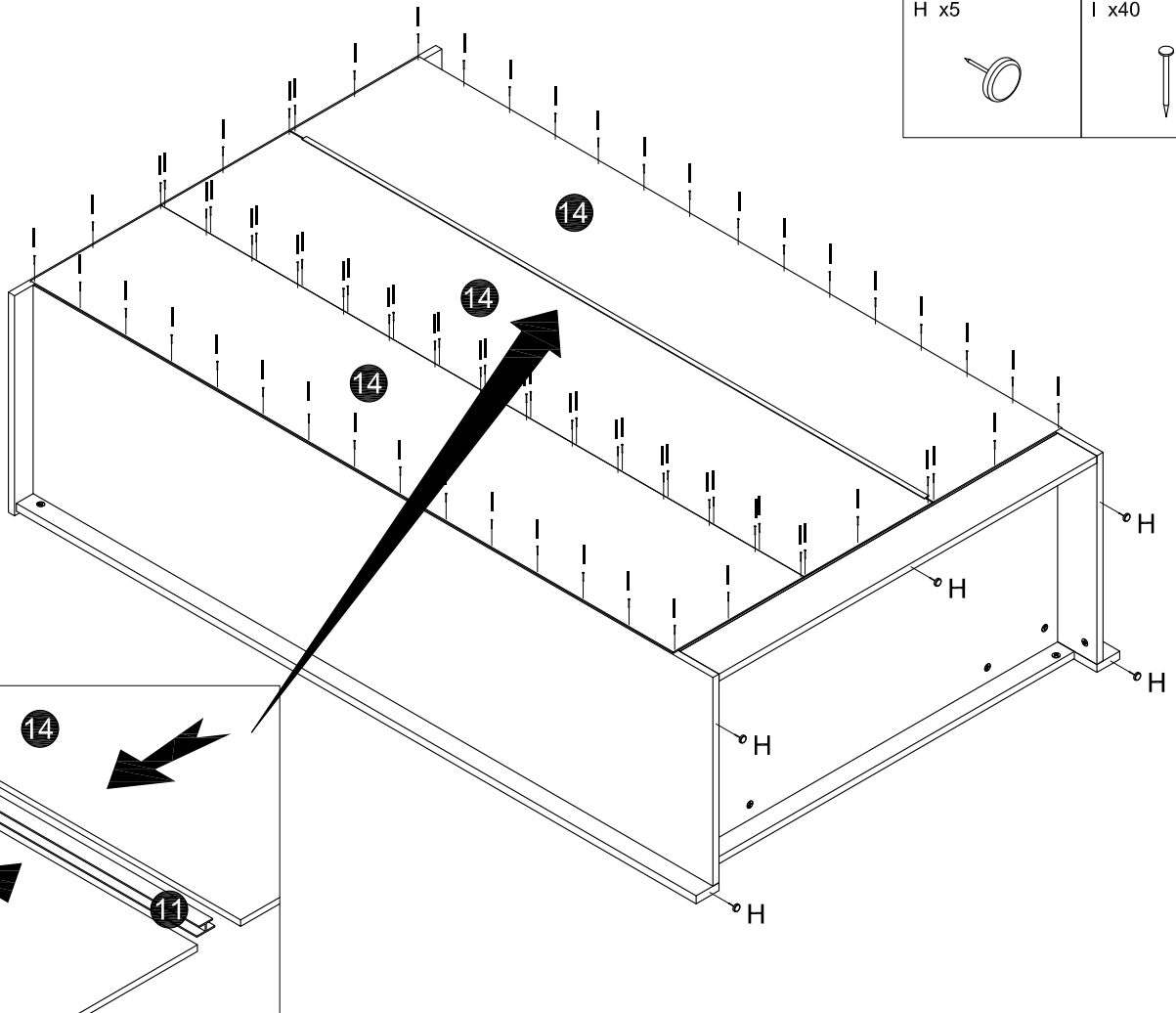
13



B x11



14



H x5

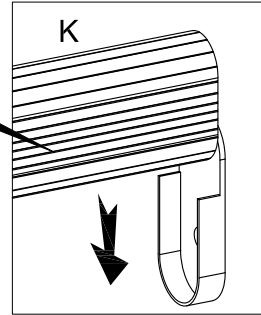
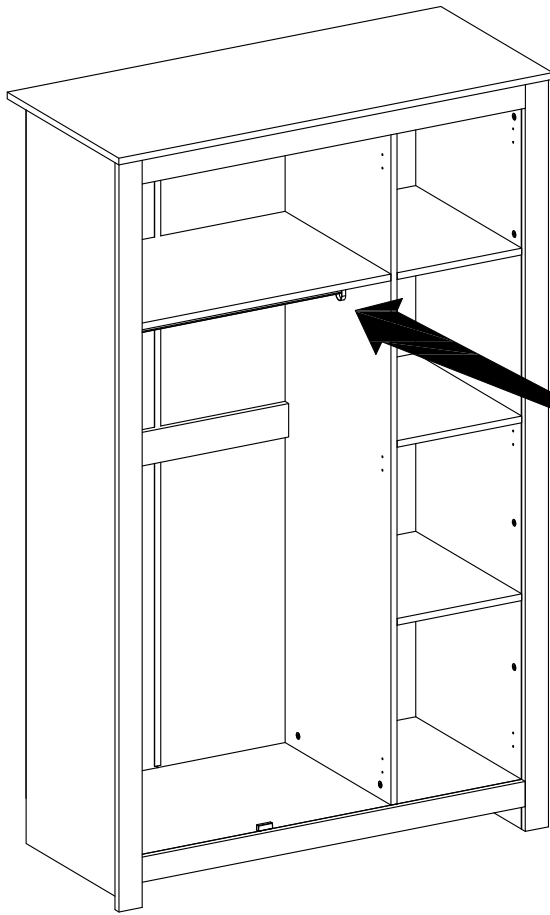


I x40



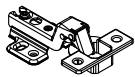
15

K x1



16

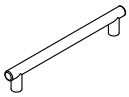
J x6



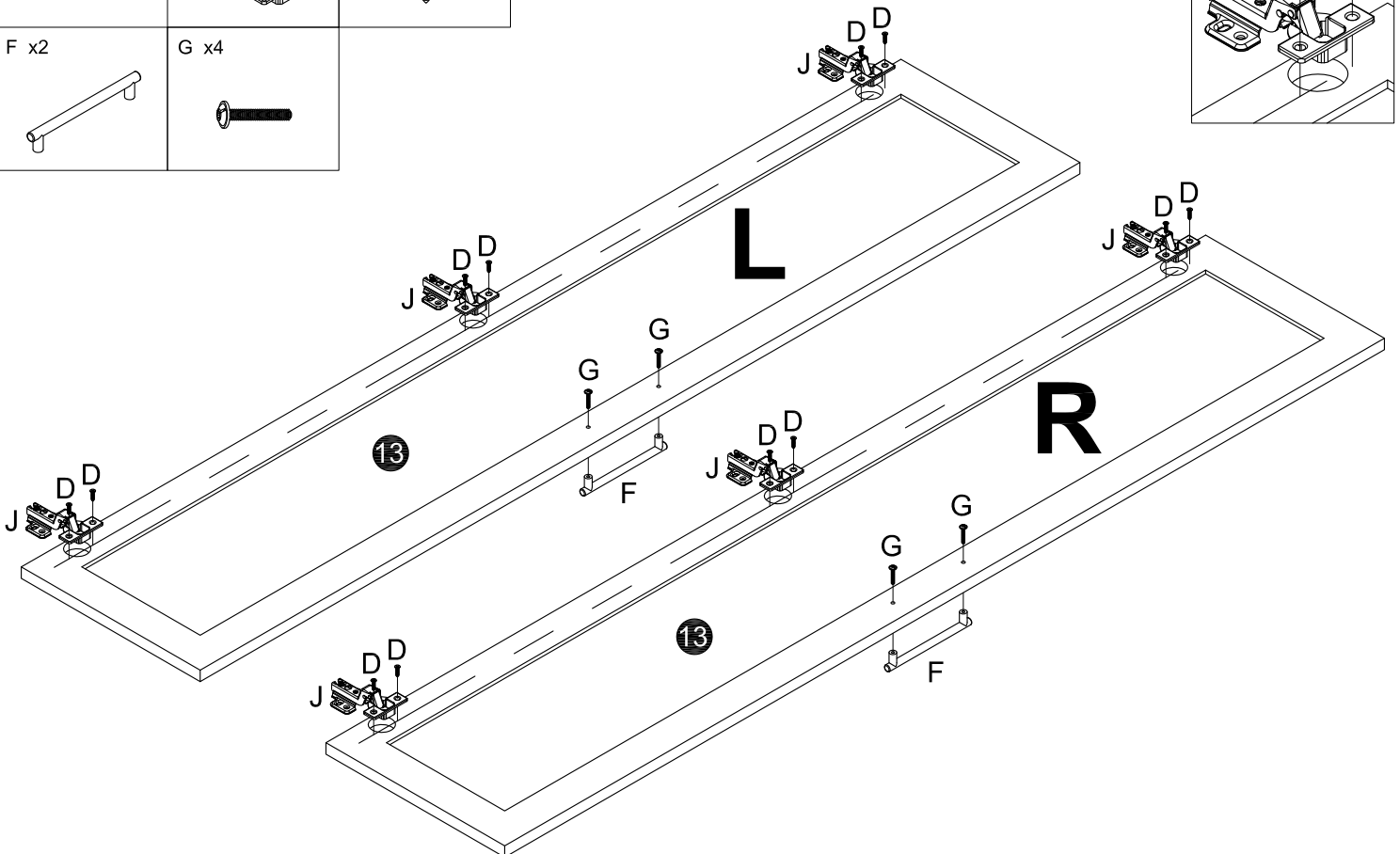
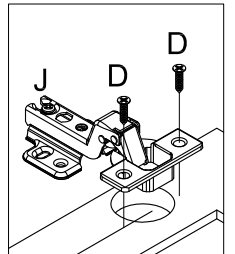
D x12



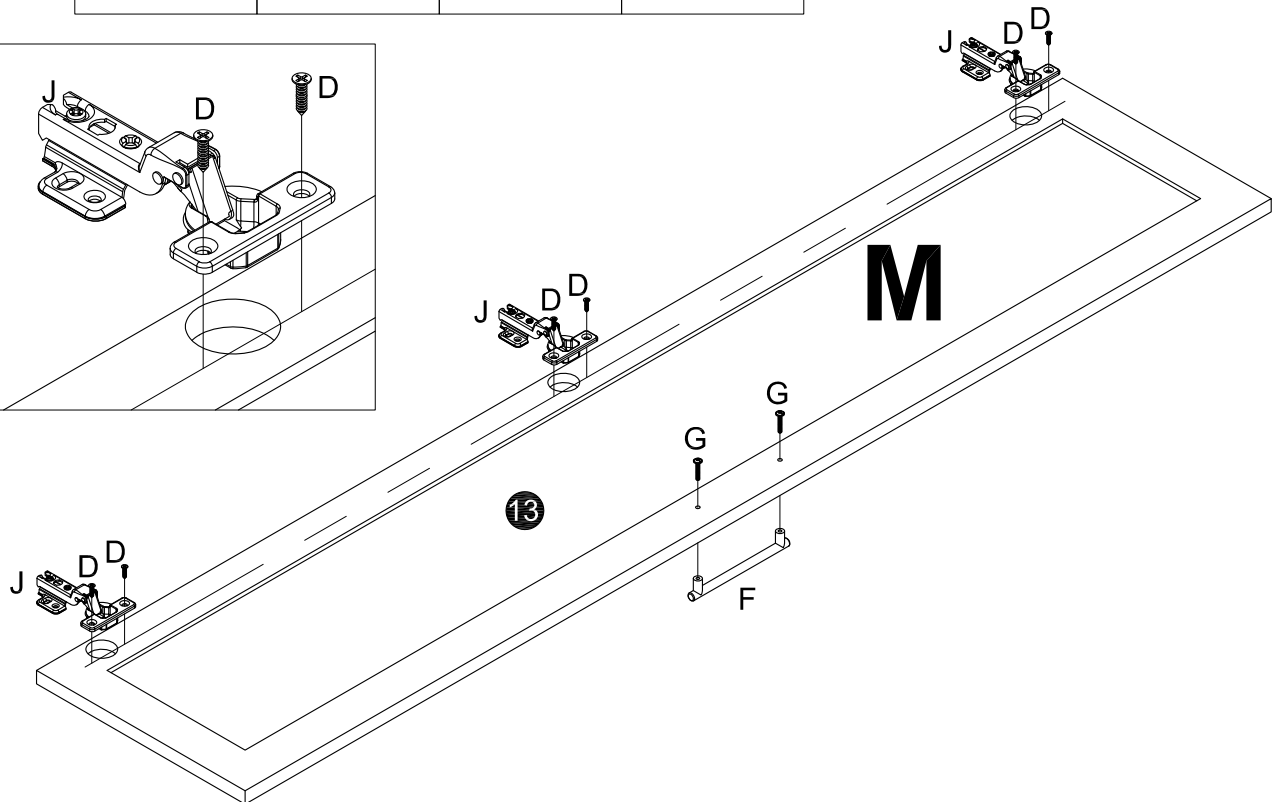
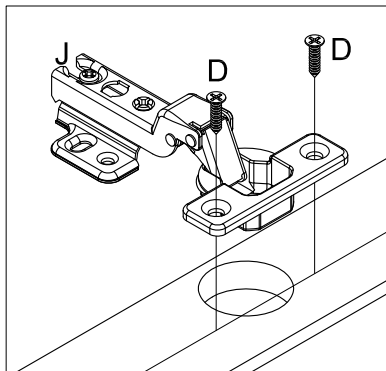
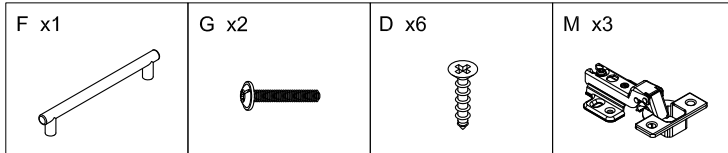
F x2



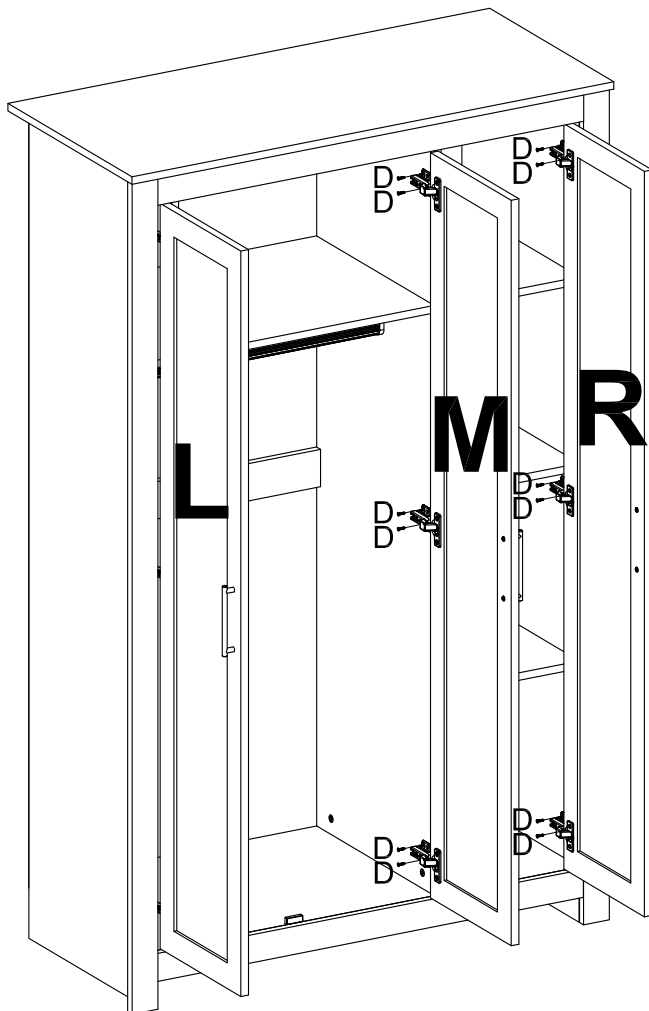
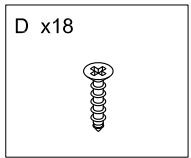
G x4

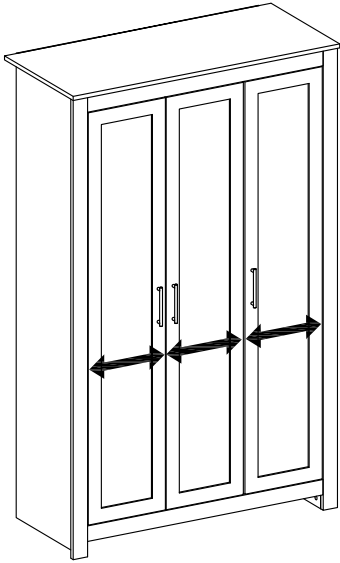


17

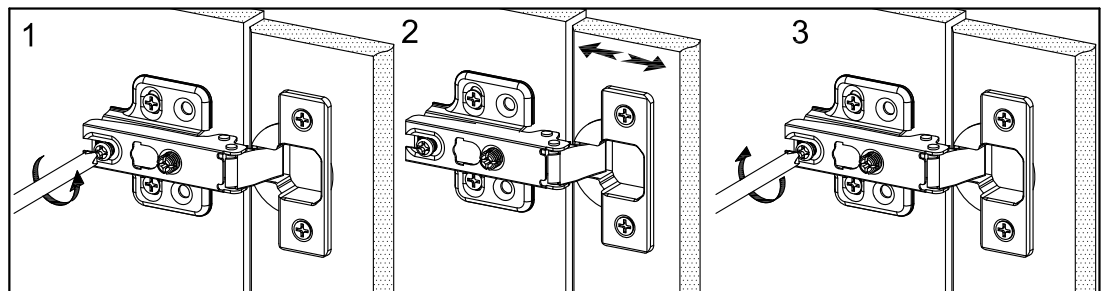
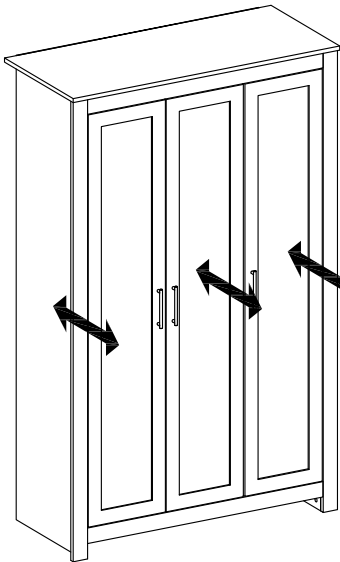
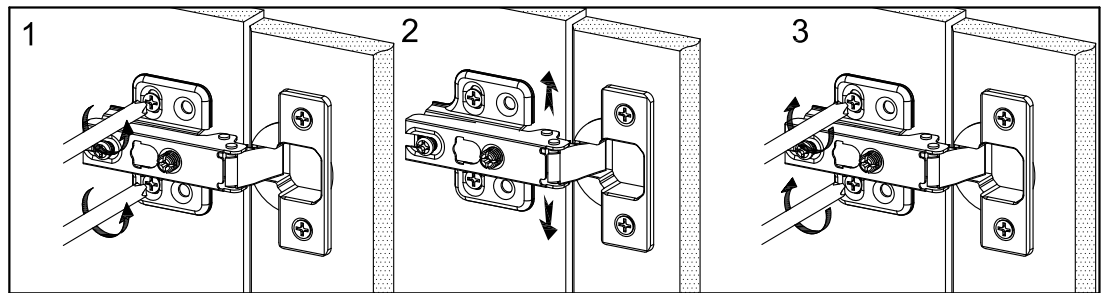
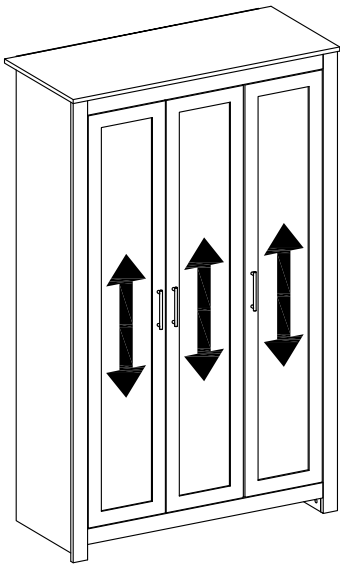
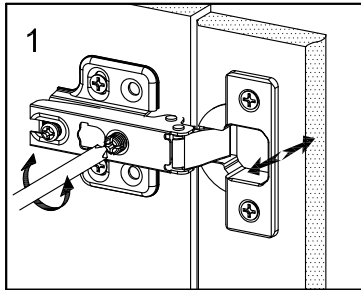


18



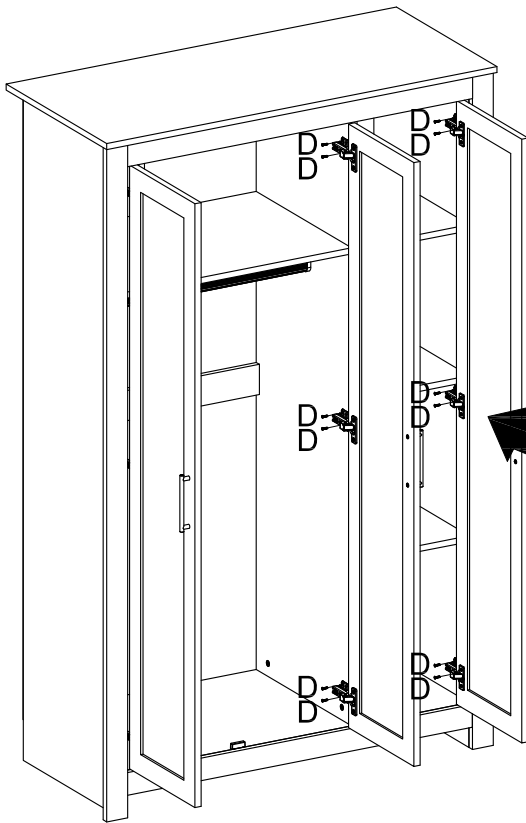


Adjusting the doors (Adjusting the hinges)

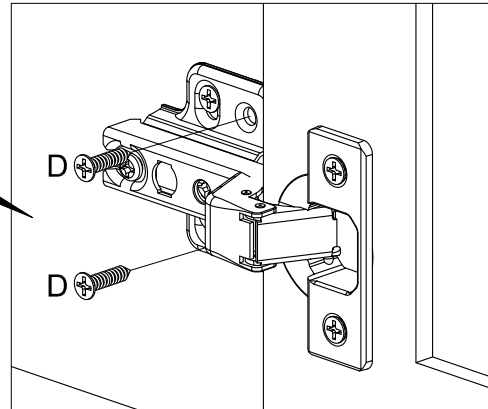


20

D x18

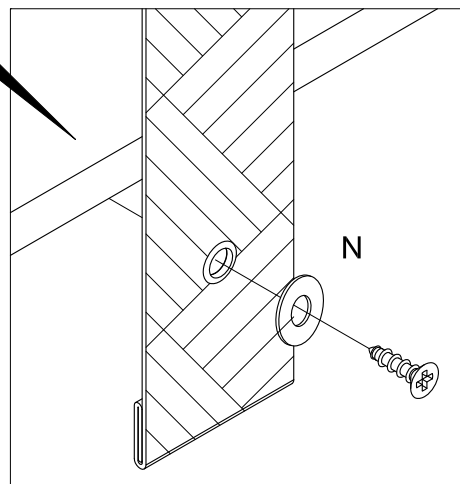
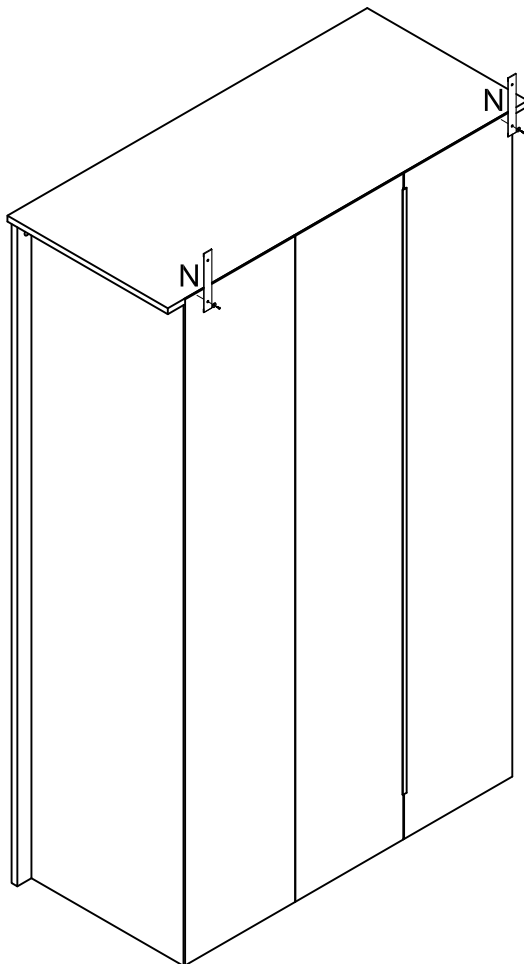
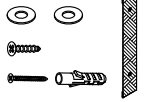


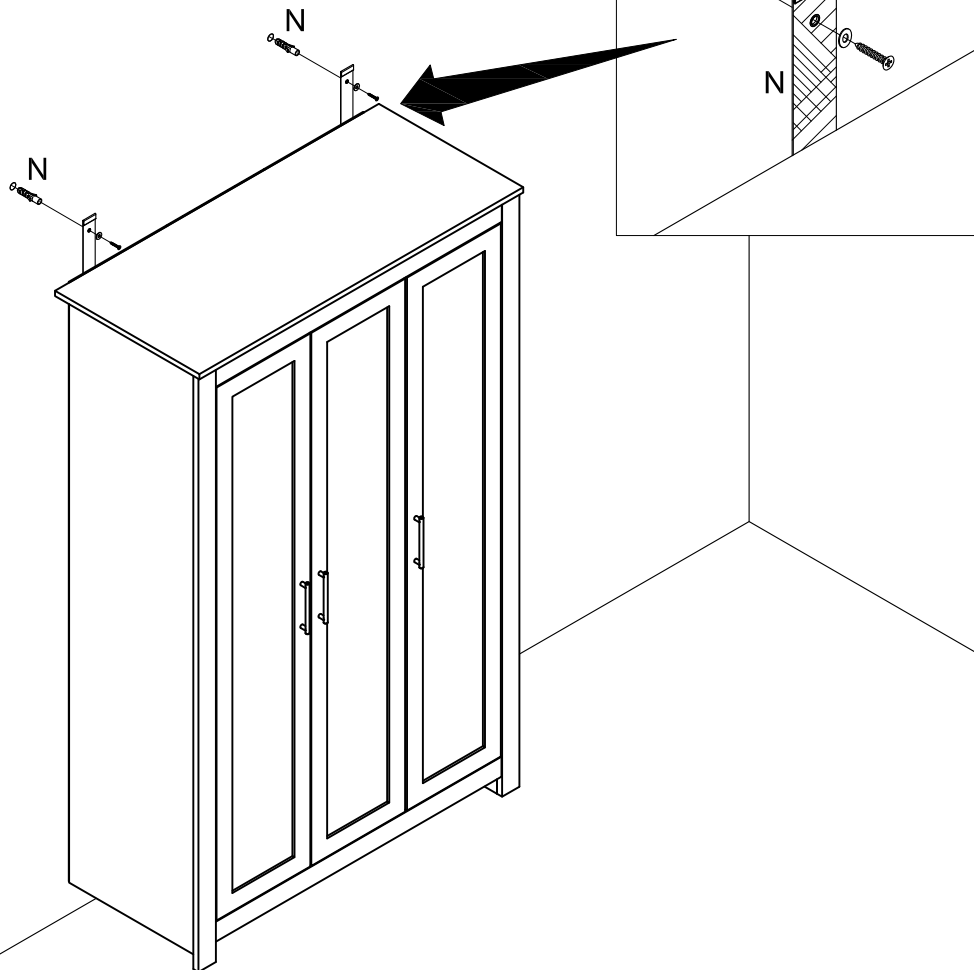
Before screwing the "D" screws make sure your doors are well adjusted.



21

N x2





N x2



For assistance with assembly, or to request replacement parts, log onto our website or call Customer Service.

DO NOT RETURN THE PRODUCT TO THE STORE.

Si vous avez besoin d'aide pour le montage, ou pour demander des pièces de rechange, connectez-vous sur notre site Web ou appelez le service à la clientèle.

NE RETOURNEZ PAS LE PRODUIT AU MAGASIN.

Para obtener ayuda sobre el montaje o para solicitar piezas de repuesto, conéctese a nuestra página web o llame a Atención al cliente.

NO DEVUELVA EL PRODUCTO A LA TIENDA.

Wenn Sie Hilfe beim Aufbau oder Ersatzteile benötigen, melden Sie sich auf unserer Webseite an oder rufen Sie unseren Kundenservice an.

GEBEN SIE DAS PRODUKT NICHT IM GESCHÄFT ZURÜCK.

Als u hulp nodig heeft bij de montage of vervangende onderdelen wilt bestellen, kunt u inloggen op onze website of bellen met de klantenservice.

BRENG HET PRODUCT NIET TERUG NAAR DE WINKEL.

Per assistenza al montaggio, o per richiedere pezzi di ricambio, accedi al nostro sito o chiama il servizio clienti.

NON RESTITUIRE IL PRODOTTO AL NEGOZIO.

Para obter ajuda na montagem, ou para solicitar peças de substituição, inicie a sessão no nosso sítio da Internet ou ligue para o Serviço de Apoio ao Cliente.

NÃO DEVOLVA O PRODUTO À LOJA.

US,

UK:
DREAMS LIVING LIMITED. UNIT 4
HAY HALL BUSINESS PARK 132-150
REDFERN ROAD TYSELEY B11 2BE
Tel: 01217074423,
Email: help@yakoe.co.uk

Spain:

Other European Countries: