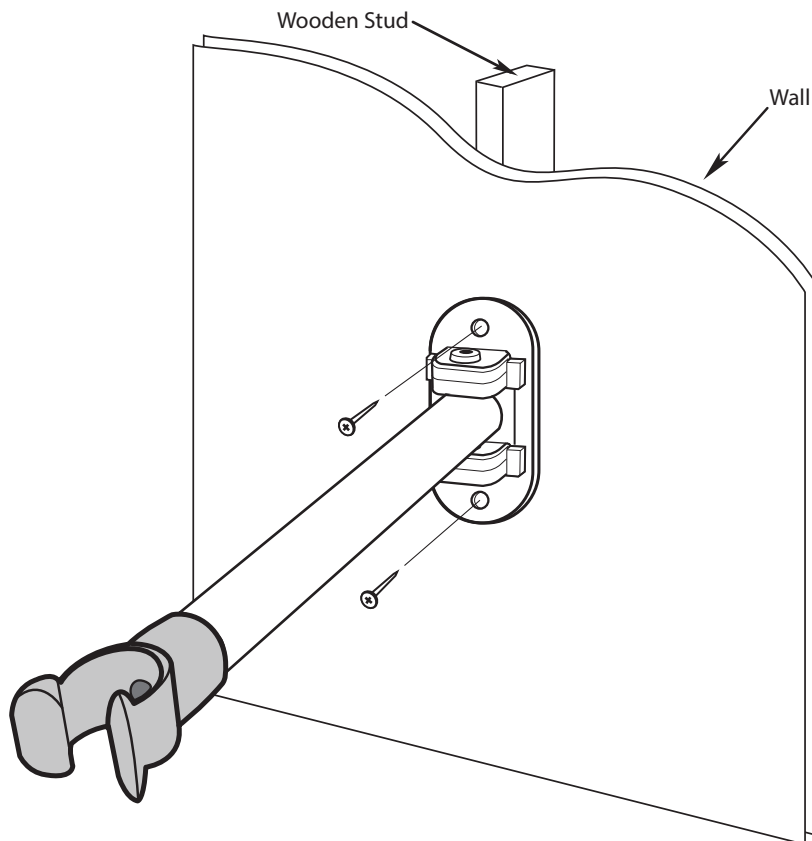


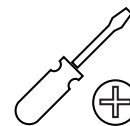
NEED SUPPORT? EMAIL US AT SERVICE@DELTACYCLE.COM ISSUES SPEEDILY RESOLVED

see deltacycle.com/The-Bike-Butler for an assembly video

- 1) Identify where wooden stud lies within wall. Determine correct height to mount Bike Butler by:
 - a) holding bike upright with both tires on the ground in desired location.
 - b) marking the spot where the Bike Butler grabber engages with the bike seatpost
- 2) Drill pilot holes for wood screws (must be in wooden stud). Fully Tighten both screws.



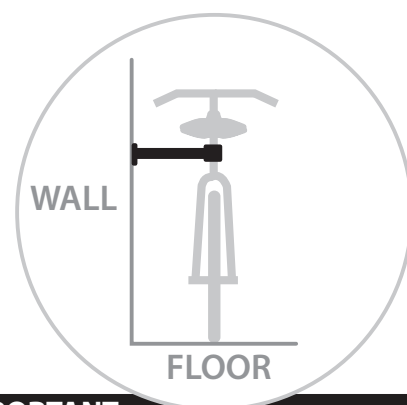
Tool(s) Required



Phillips Head Screwdriver



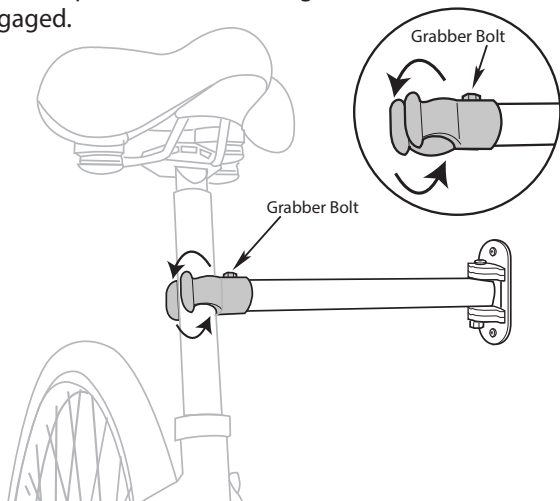
Hand Drill



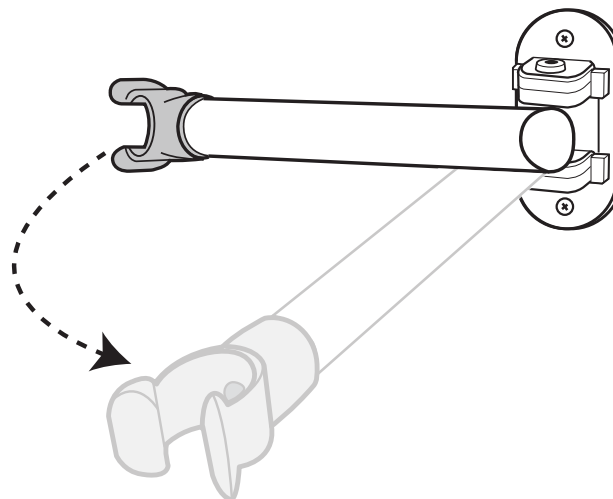
IMPORTANT:

The Bike Butler is not designed to suspend a bicycle off of the ground. Both tires should be firmly on the ground when the bicycle is held by the Bike Butler.

- 3) Adjust Bike Butler seatpost grabber to the angle of the bike seatpost. Tighten the grabber bolt. Press bike seatpost into Bike Butler grabber until fully engaged.



- 4) Remove bike and fold down Bike Butler when not in use.



the art of storage™

Delta Design Company
36 York Avenue
Phone: 800 - 474 - 6615
Randolph, MA 02368 USA

BIKE BUTLER
RS9000
ASSEMBLY DIAGRAM

© Copyright 2016