



# HOSHIZAKI

## Parts List

Glass Door Merchandiser

Model

RM-7-HC

[hoshizakiamerica.com](http://hoshizakiamerica.com)

Number: RM-7-HC  
Issued: 06-15-2017  
Revised: 10-15-2019



## TABLE OF CONTENTS

MAIN ASSEMBLY .....	3
EVAPORATOR ASSEMBLY .....	5
CONDENSING UNIT ASSEMBLY .....	7
DOOR ASSEMBLY .....	9
LIGHTING SYSTEM.....	11

**NOTE:**

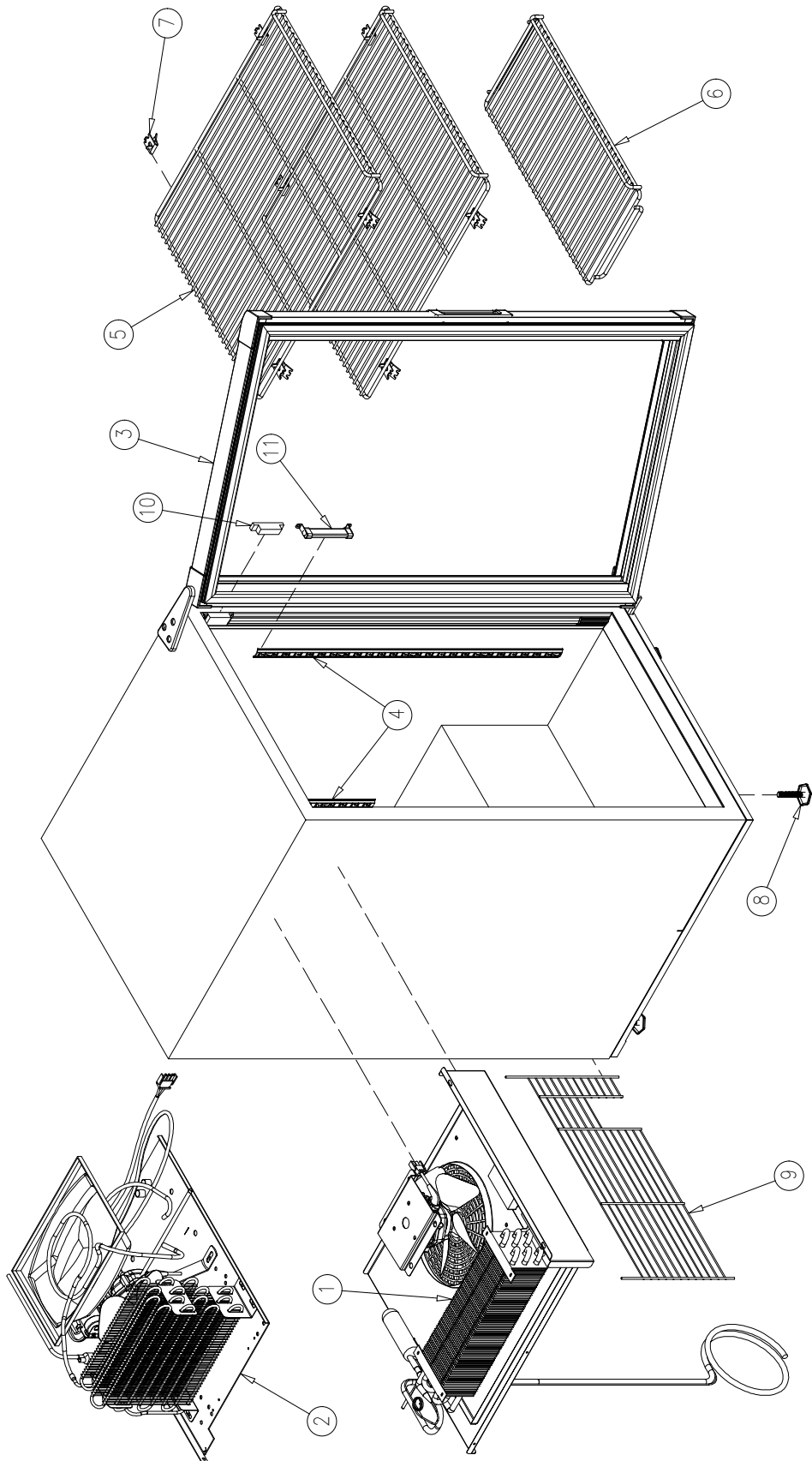
*To order spare parts, always include the following information:*

- *Model Number* \_\_\_\_\_
- *Serial Number* \_\_\_\_\_



**HOSHIZAKI**

# MAIN ASSEMBLY



RM-7-HC



## MAIN ASSEMBLY

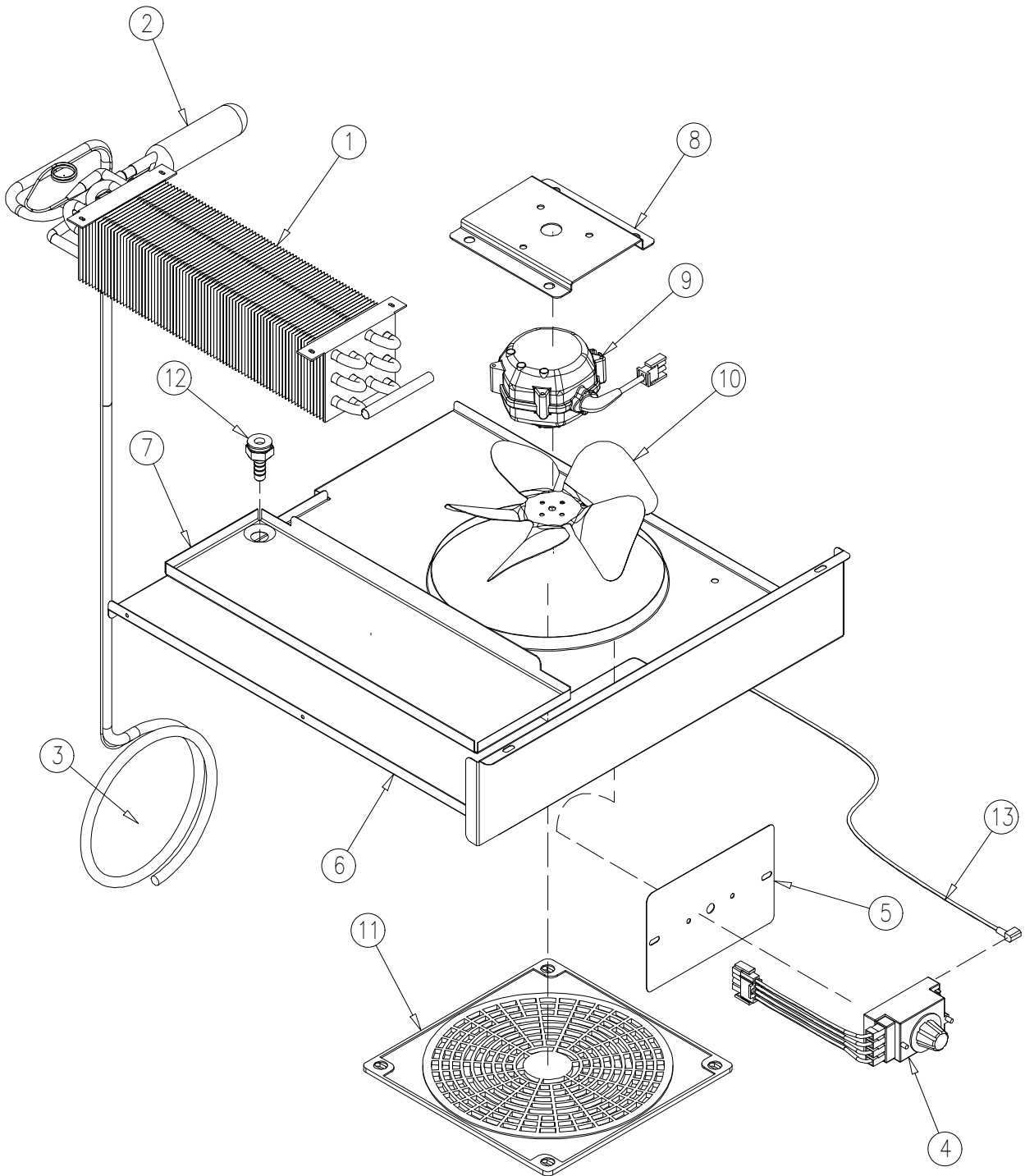
---

<i>Item No.</i>	<i>Description</i>	<i>Part No.</i>	<i>Quantity per cooler</i>
1	EVAPORATOR ASSEMBLY	OT-EV-0024	1
2	CONDENSING UNIT ASSEMBLY	OT-UN-0028	1
3	DOOR ASSEMBLY	OT-PT-0414	1
4	PILASTER 48"	PI-5	2
5	FLAT SHELF	SH-169-G-FE	2
6	FLOOR FLAT SHELF	SH-170-G-FE	1
7	SHELF CLIPS	CL-51-SS-E	8
8	LEGS	LG-27	4
9	BACK GRILL	SH-0278-G-GR	1
10	MAGNETIC SWITCH	EL-360	1
11	THERMOMETER	TH-1-E	1



**HOSHIZAKI**

# EVAPORATOR ASSEMBLY



RM-7-HC



## EVAPORATOR ASSEMBLY

---

<i>Item No.</i>	<i>Description</i>	<i>Part No.</i>	<i>Quantity per cooler</i>
1	EVAPORATOR	CO-253	1
2	ACCUMULATOR	DR-19-C	1
3	HEAT EXCHANGER	TUB-0869	1
4	ELECTRONIC THERMOSTAT KIT	CT-194-SOL-K*	1
5	THERMOSTAT BRACKET	OT-21660	1
6	BAFFLE	OT-22435	1
7	EVAPORATOR DRAIN PAN	OT-8785	1
8	EVAPORATOR FAN MOTOR BRACKET	OT-9792	1
9	EVAPORATOR FAN MOTOR	FA-70-VU	1
10	EVAPORATOR FAN BLADE	FA-2-EBM	1
11	FAN GUARD	FA-62	1
12	PLASTIC DRAIN	DR-1-P	1
13	TEMPERATURE SENSOR	CT-196-2-SOL	1

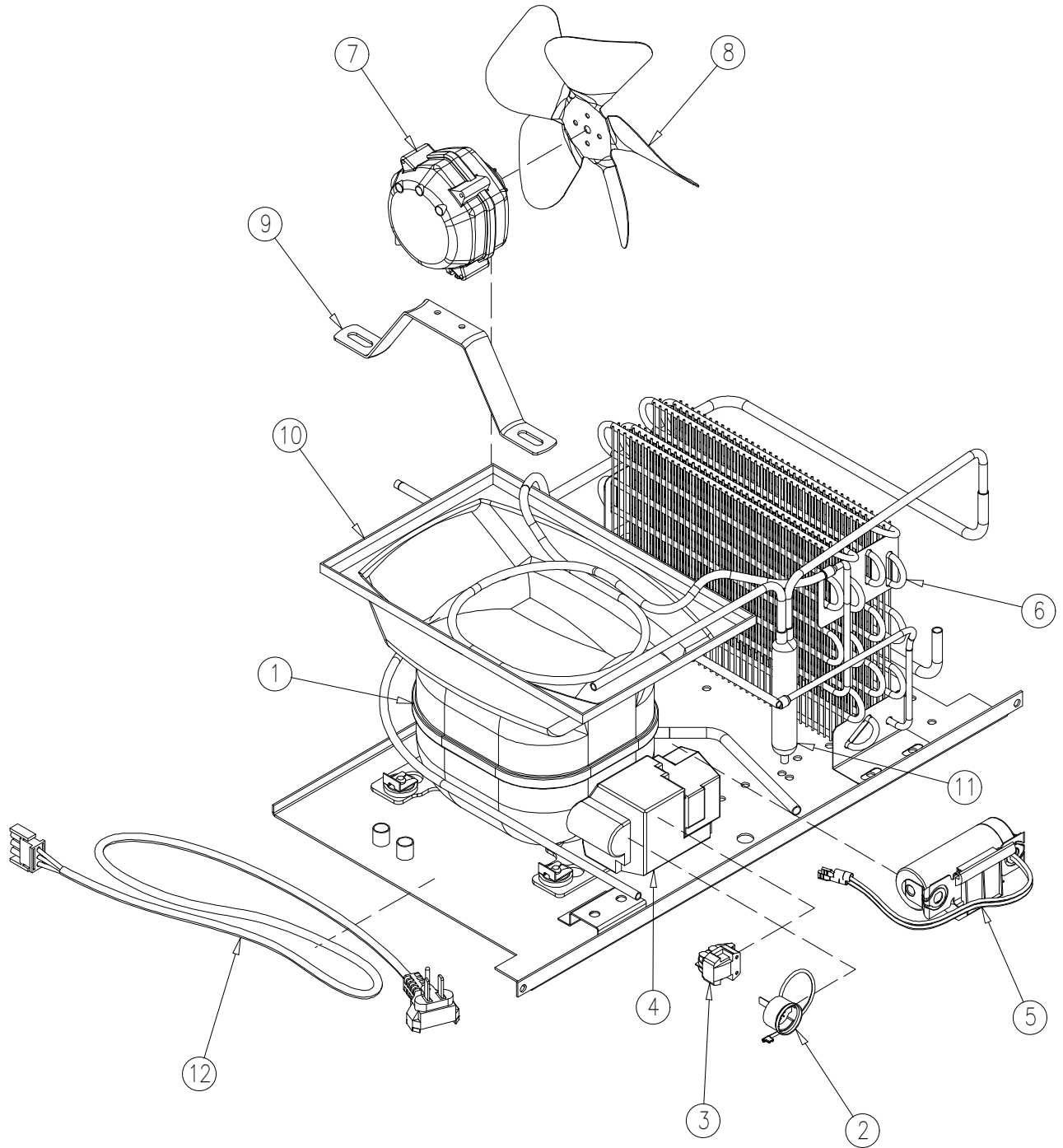
\* THE PART NUMBER CT-194-SOL-K INCLUDES:

THERMOSTAT CT-194-SOL  
TEMPERATURE SENSOR CT-196-2-SOL (Item No. 13)  
DOOR SWITCH HARNESS CONTROL OT-AR-5022  
HARNESS CONTROL OT-AR-4800



**HOSHIZAKI**

# CONDENSING UNIT ASSEMBLY





# HOSHIZAKI

## CONDENSING UNIT ASSEMBLY

---

<i>Item No.</i>	<i>Description</i>	<i>Part No.</i>	<i>Quantity per cooler</i>
1	1/6HP 115V/60HZ R-290 COMPRESSOR	EM2U3111U	1
2	4TM302KFBYY-53 EXTERNAL PROTECTOR	EL-2093-R	1
3	8EA14C3/8EA14E62 RELAY	EL-2094-R	1
4	ELECTRICAL BOX	EL-2095-R	1
5	12 $\mu$ F 180 V RUN CAPACITOR	CAP-12-180	1
6	CONDENSER	CO-451	1
7	CONDENSER FAN MOTOR	FA-70-VU	1
8	CONDENSER FAN BLADE	FA-2-EBM	1
9	CONDENSER FAN MOTOR BRACKET	FA-39	1
10	COMPRESSOR EVAPORATION TRAY	DP-6	1
11	DRIER	DR-31-P	1
12	POWER CORD	OT-AR-4784	1

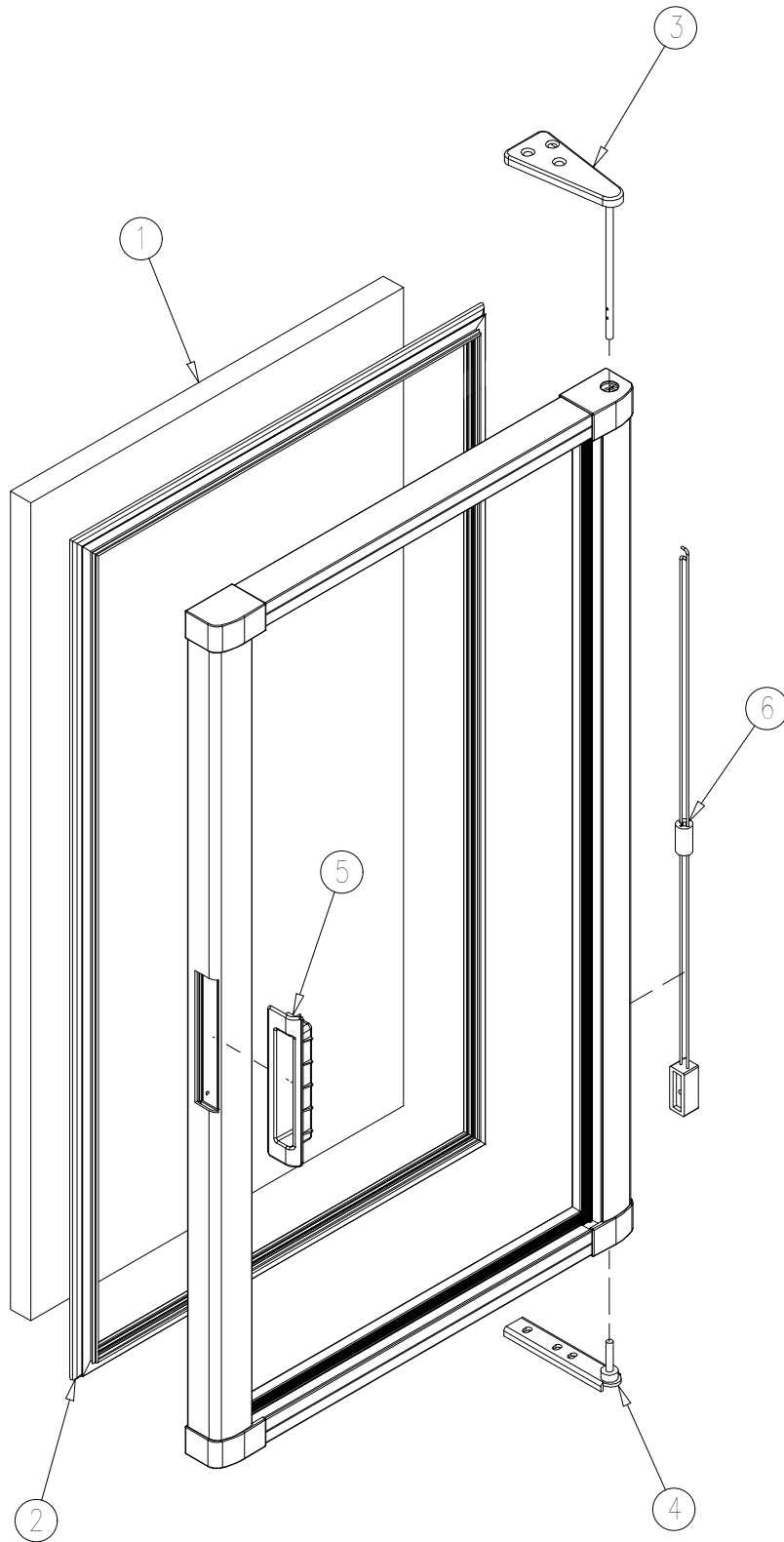




**HOSHIZAKI**

# DOOR ASSEMBLY

---



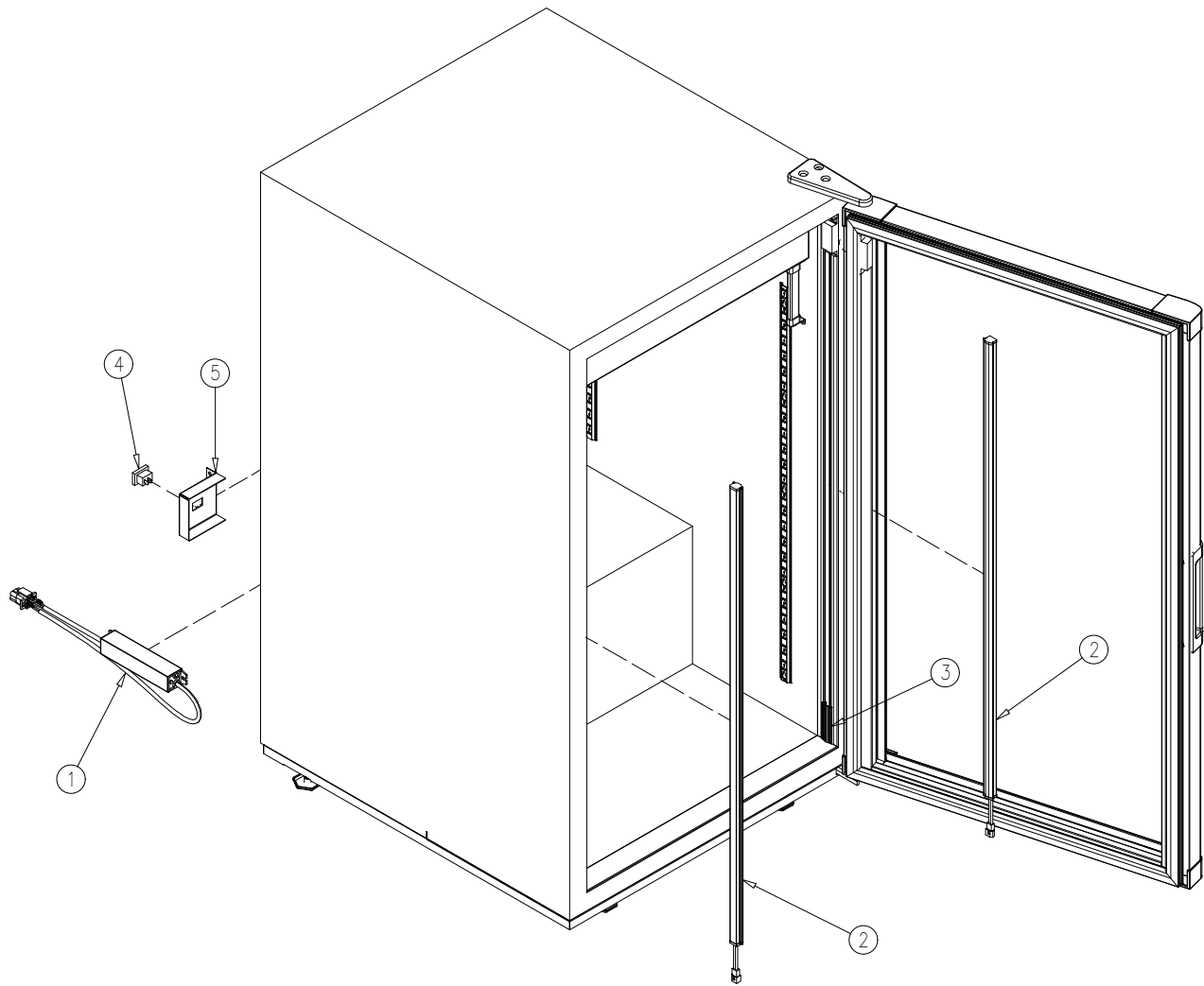
RM-7-HC



## DOOR ASSEMBLY

---

<i>Item No.</i>	<i>Description</i>	<i>Part No.</i>	<i>Quantity per cooler</i>
1	GLASS PANE	GL-675-AD-EA	1
2	MAGNETIC GASKET	OT-GA-900-PT-0414	1
3	UPPER HINGE ASSEMBLY	HA-496-R	1
4	LOWER HINGE ASSEMBLY	HA-495-R	1
5	DOOR HANDLE	HA-627	1
6	TORSION MECHANISM	HA-479	1





## LIGHTING SYSTEM

---

<i>Item No.</i>	<i>Description</i>	<i>Part No.</i>	<i>Quantity per cooler</i>
1	1.25 Amp LED DRIVER	OT-EL-151-T	1
2	29 9/16" LED LAMP STRIP	EL-147	2
3	5" LED PROFILE COVER	OT-BR-253-57-5	2
4	LIGHT SWITCH	EL-305	1
5	LIGHT SWITCH BRACKET	OT-21461	1

**HOSHIZAKI AMERICA, INC.**

---

618 Hwy. 74 South, Peachtree City, GA 30269 USA (P) 770.487.2331 [www.hoshizaki.com](http://www.hoshizaki.com)