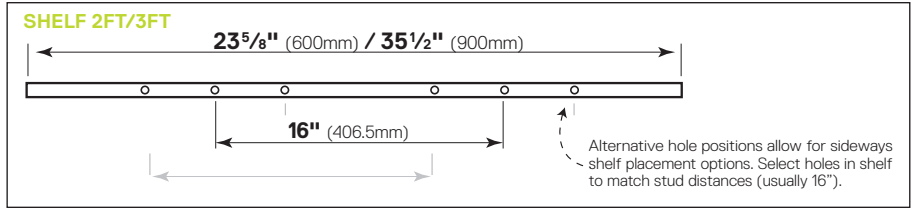


delta

Slim Floating Shelf




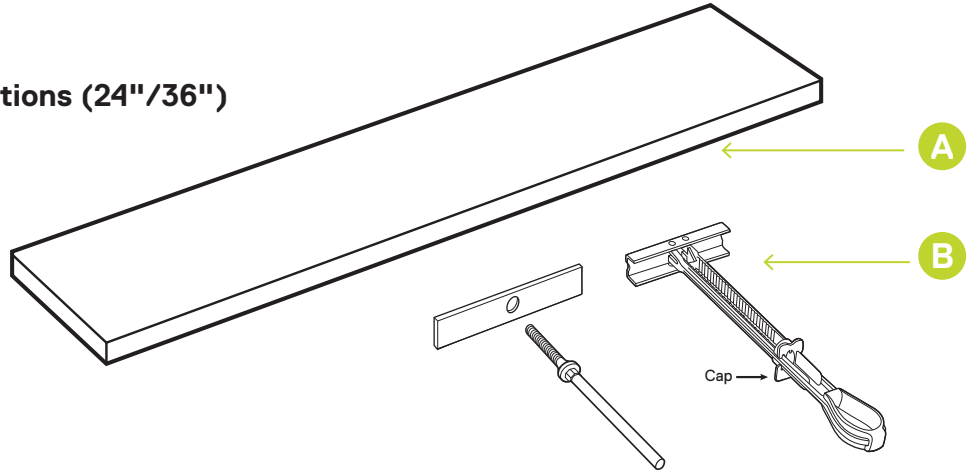
Hollow-Wall Assembly instructions (24"/36")

Parts

- A** x1 — Floating Shelf
- B** x2 — Hollow-Wall Invisibolt

Tools Required

- 1/4" Wrench (6.35mm) 
- Hand Drill 5/8"(15mm) Bit 
- Level 



1 Use actual shelf back to determine and mark where mounting holes need to be drilled. Use spirit level to ensure shelf will be horizontal.

2 Drill 5/8" (15mm) hole. Hold metal channel alongside plastic straps & slide channel through the hole. Minimum clearance behind wall: only 1-7/8".

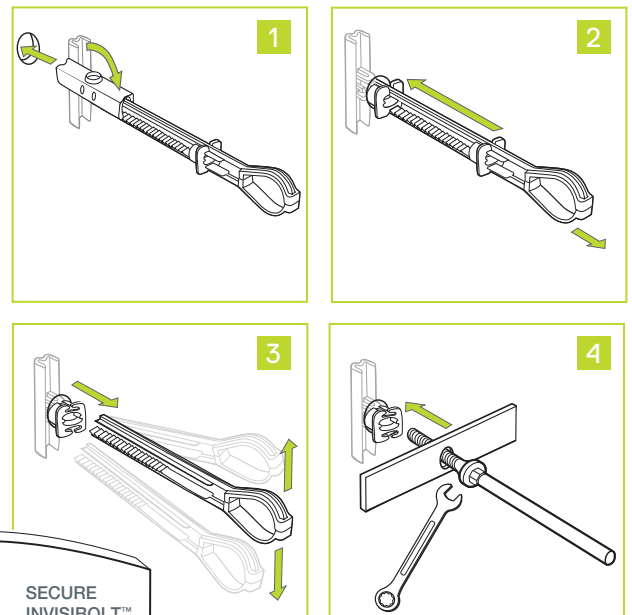
! IMPORTANT SAFETY NOTE
 Beware of drilling into electrical wire or pipes within wall!

3 Hold the ends of straps together between thumb & forefinger and pull toward you until channel rests behind wall. Ratchet cap along straps with other hand until flange of cap is flush with wall.

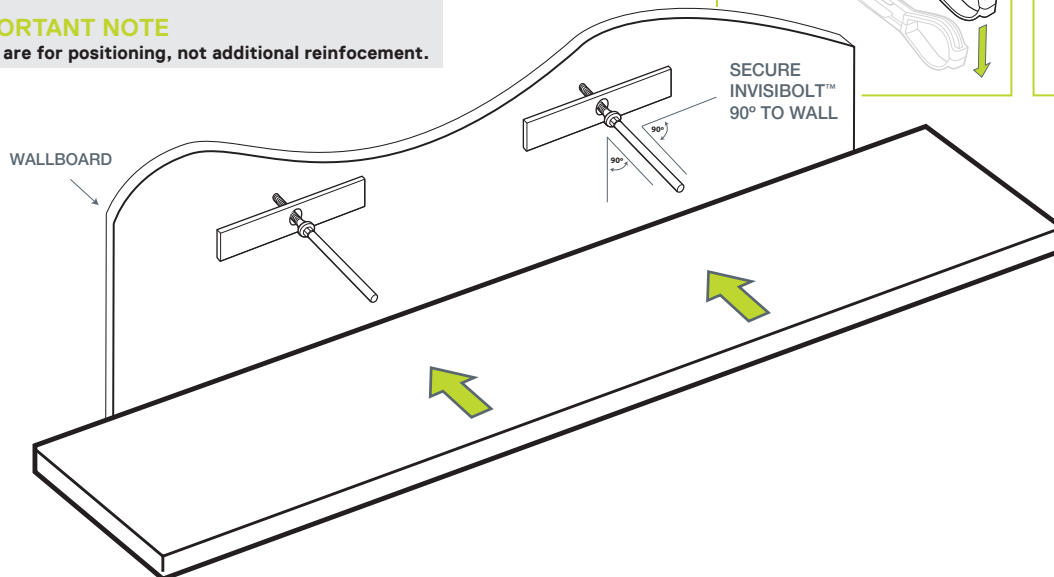
4 Place thumb between straps at wall. Push thumb side to side, snapping off straps level with flange of cap.

5 Insert Invisibolt bolt through white flat washer and tighten until snug, then stop. Use wrench to tighten securely. Be careful when finding the thread, inserting the Invisibolt with too much force can push the channel through the wall.

6 Attach shelves onto brackets, pressing completely against the wall.



! IMPORTANT NOTE
 Holes are for positioning, not additional reinforcement.



102722



WARNING

Do not allow children to play or hang from shelf
 Maximum weight on properly installed shelf is 33lbs, 15 KGS evenly distributed.