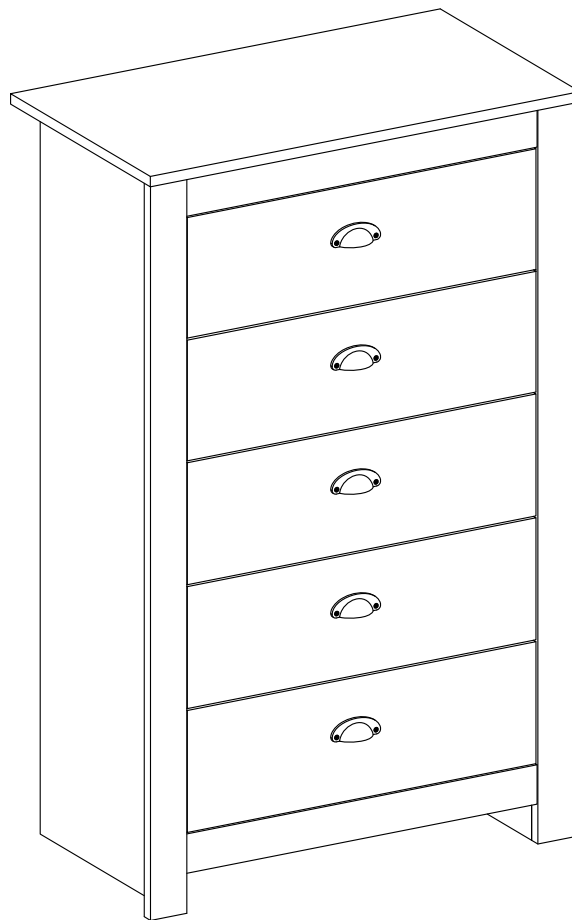




5 Drawers chest

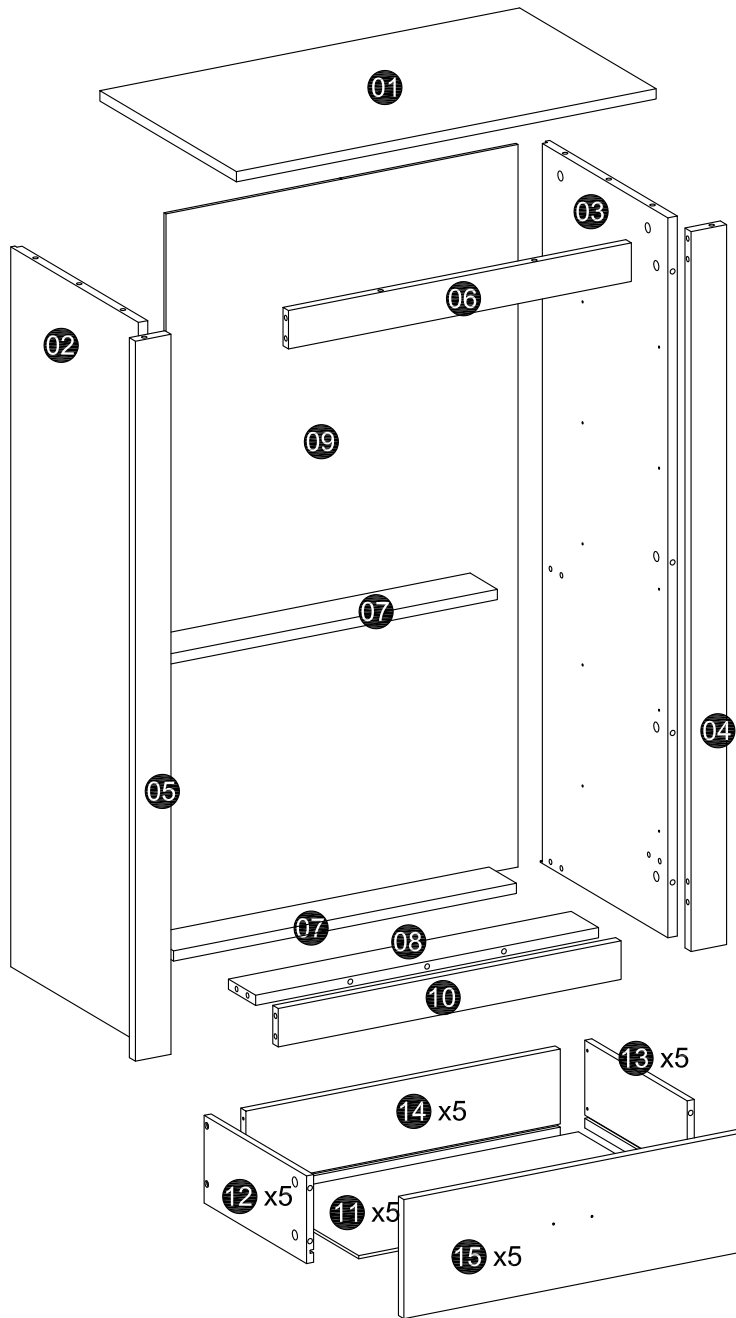
USER MANUAL | MODE D'EMPLOI | MANUAL DEL USUARIO | GEBRAUCHSANLEITUNG |
GEBRUIKSHANDLEIDING | MANUALE PER L'UTENTE | MANUAL DO UTILIZADOR

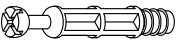

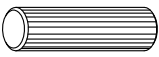
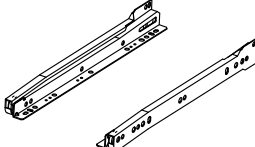
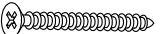
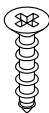

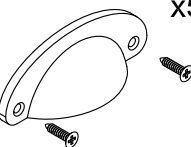
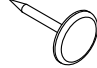
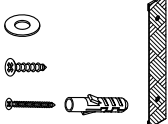


SKU:21836/21837
BATCH NO.:DS8020

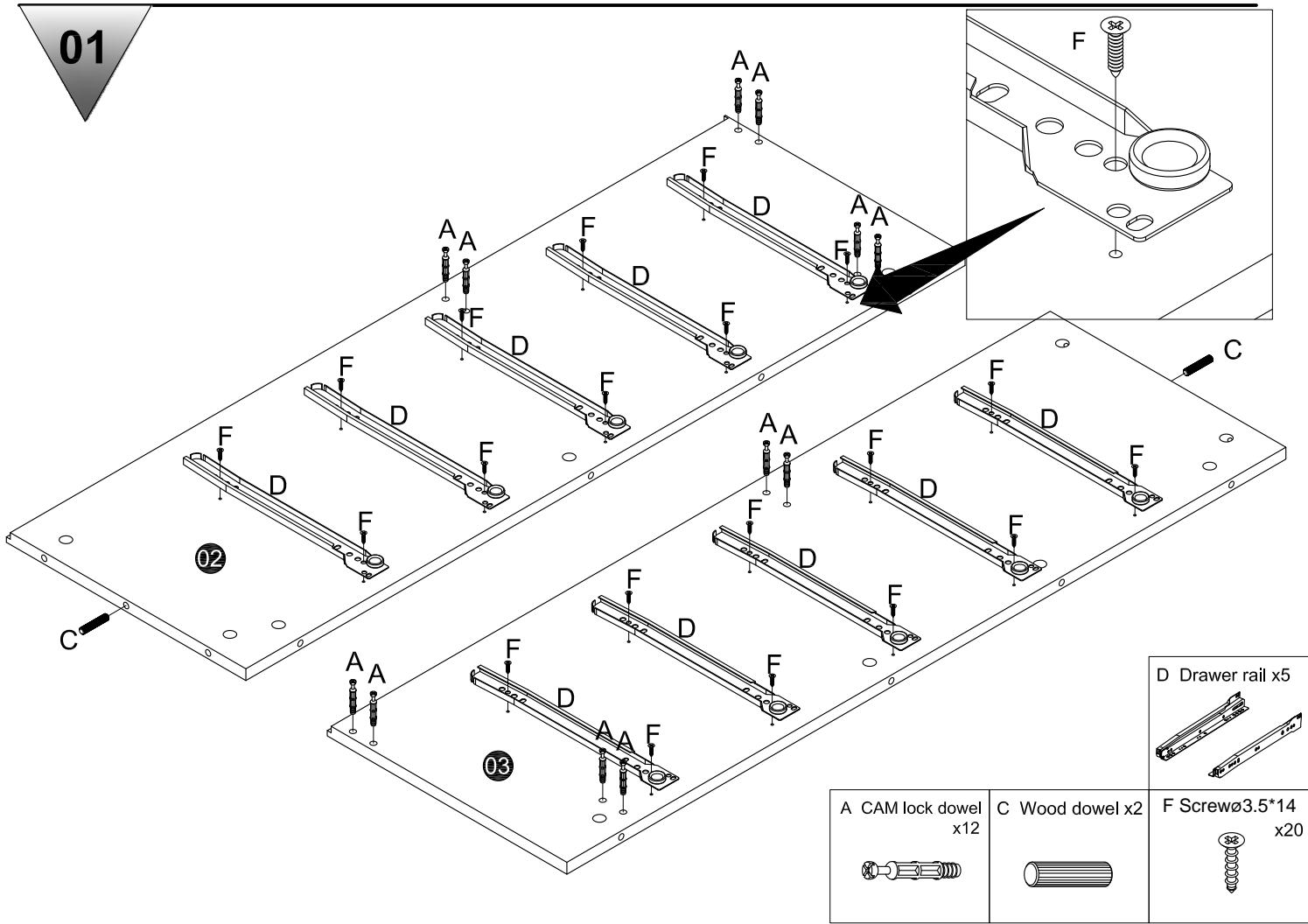
An illustration of a person looking thoughtful, a large question mark, and a hammer with two pieces of wood, representing a problem or assembly issue.	<p>Please keep your original packages , due to health and safety reasons , we cannot accept returns without original packages .</p> <p>Tel:01217074423, Email: help@yokoe.co.uk</p> An illustration of a person wearing a headset, representing customer support.	An illustration of a person looking thoughtful and a computer monitor displaying the website address yakoe.co.uk.
--	---	---

We will resolve the issues for you within 1 working day!

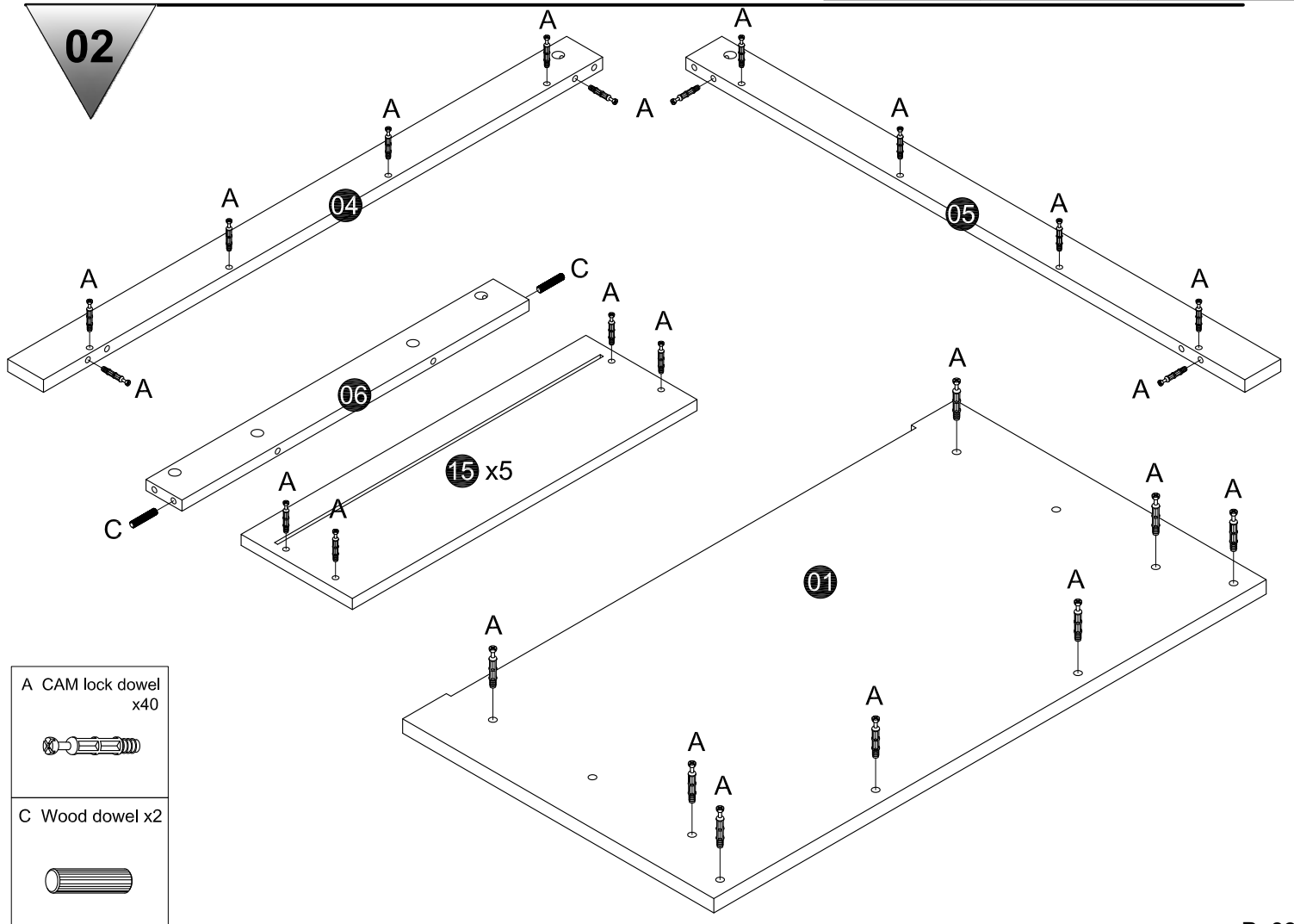


<p>A CAM lock dowel x54</p> 	<p>B CAM lock x54</p> 	<p>C Wood dowel x7</p> 	<p>D Drawer rail x5</p> 	<p>E Screw $\varnothing 3.5 \times 35$ x20</p> 
<p>F Screw $\varnothing 3.5 \times 14$ x40</p> 	<p>G Nail</p> 	<p>H Handle & Screw x5</p> 	<p>I Nail Leg x4</p> 	<p>J Anti-falling accessory x1</p> 

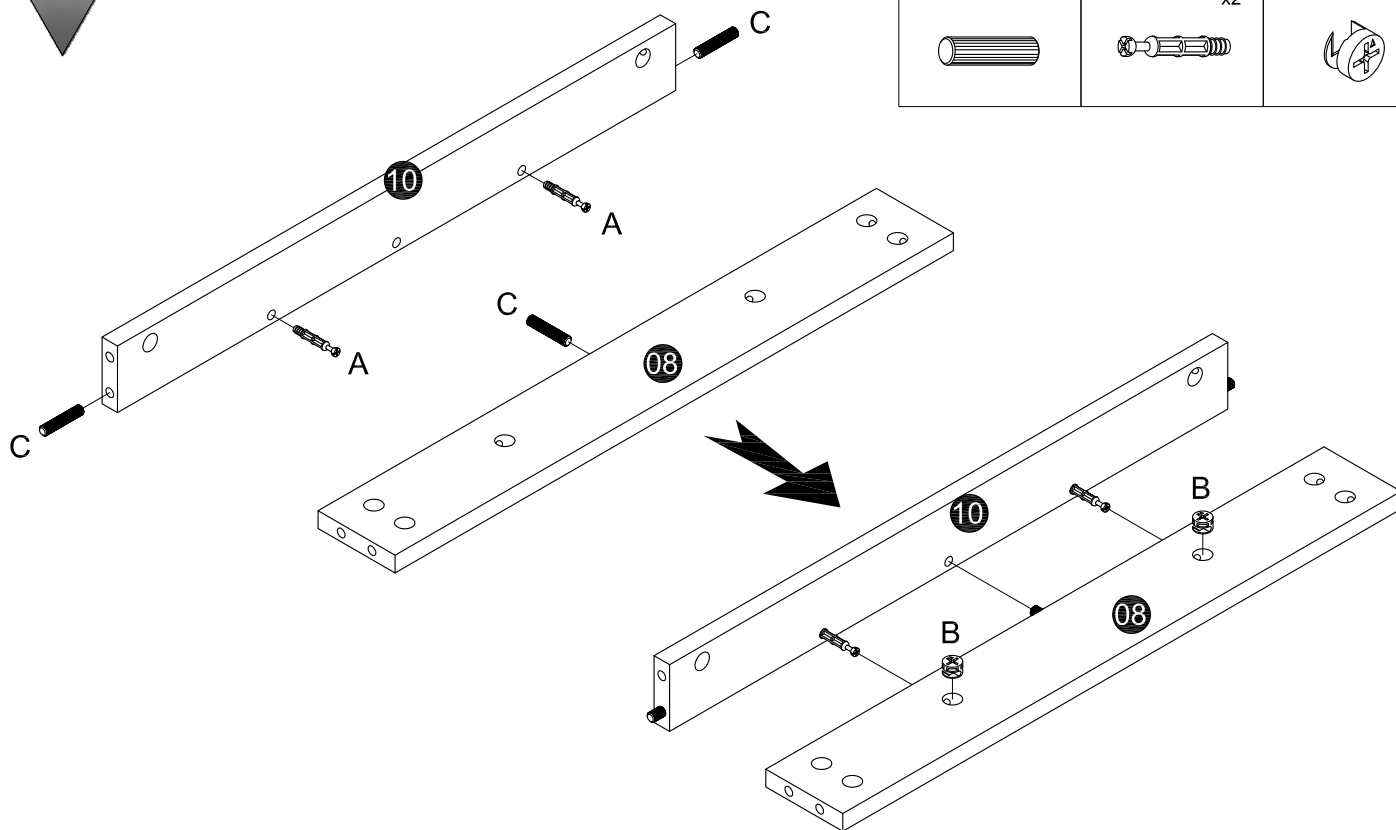
01



02



03



C Wood dowel x3



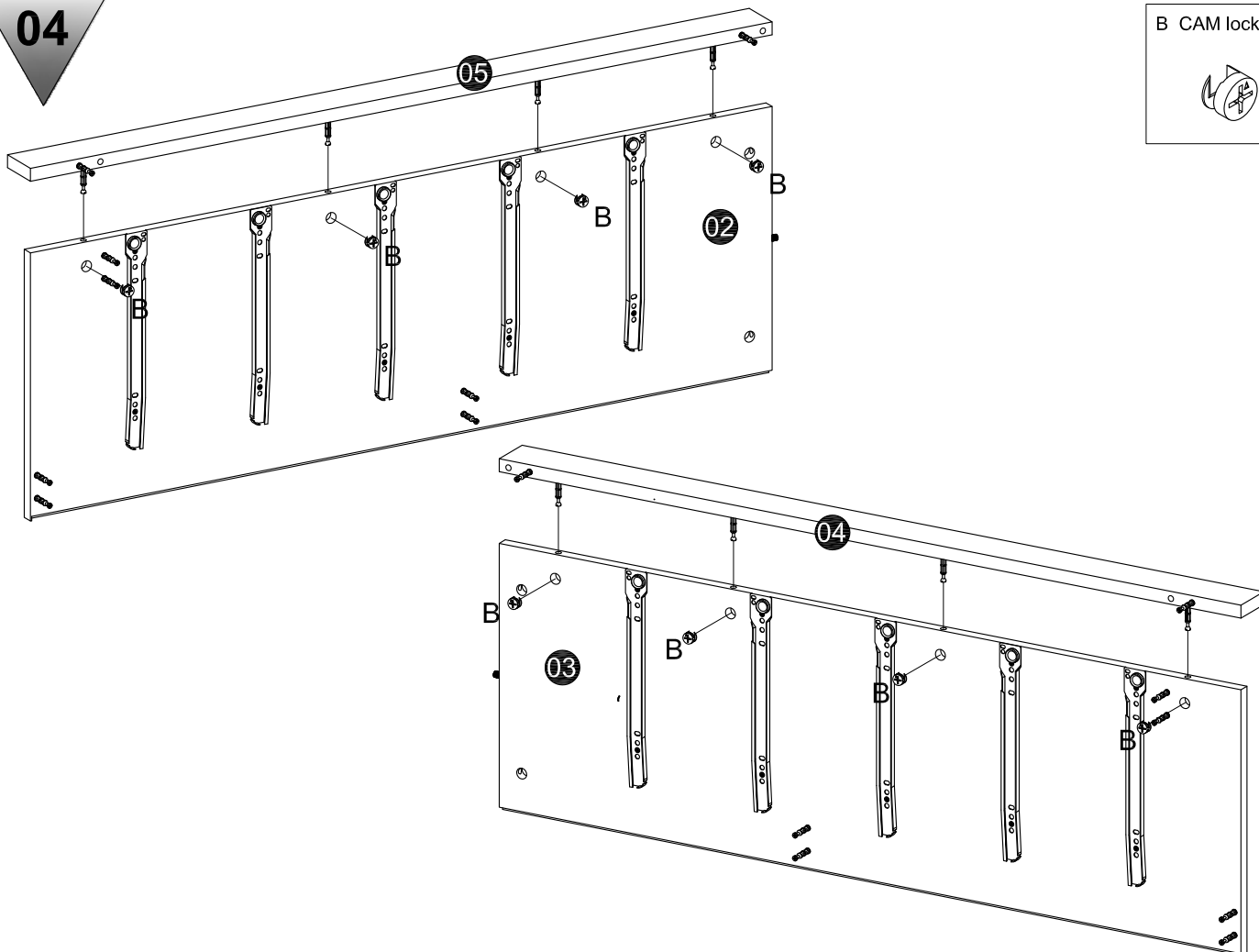
A CAM lock dowel x2



B CAM lock x2



04

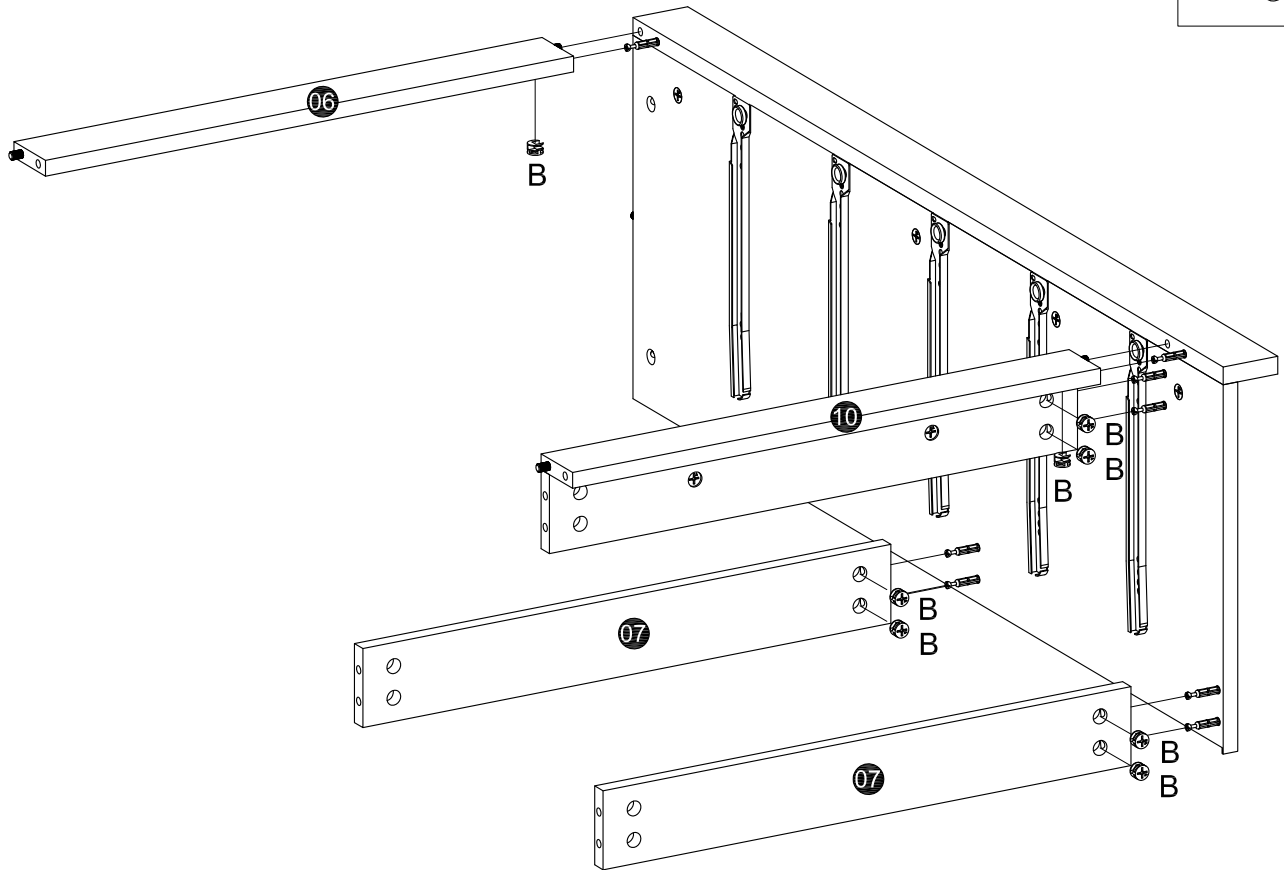


B CAM lock x8



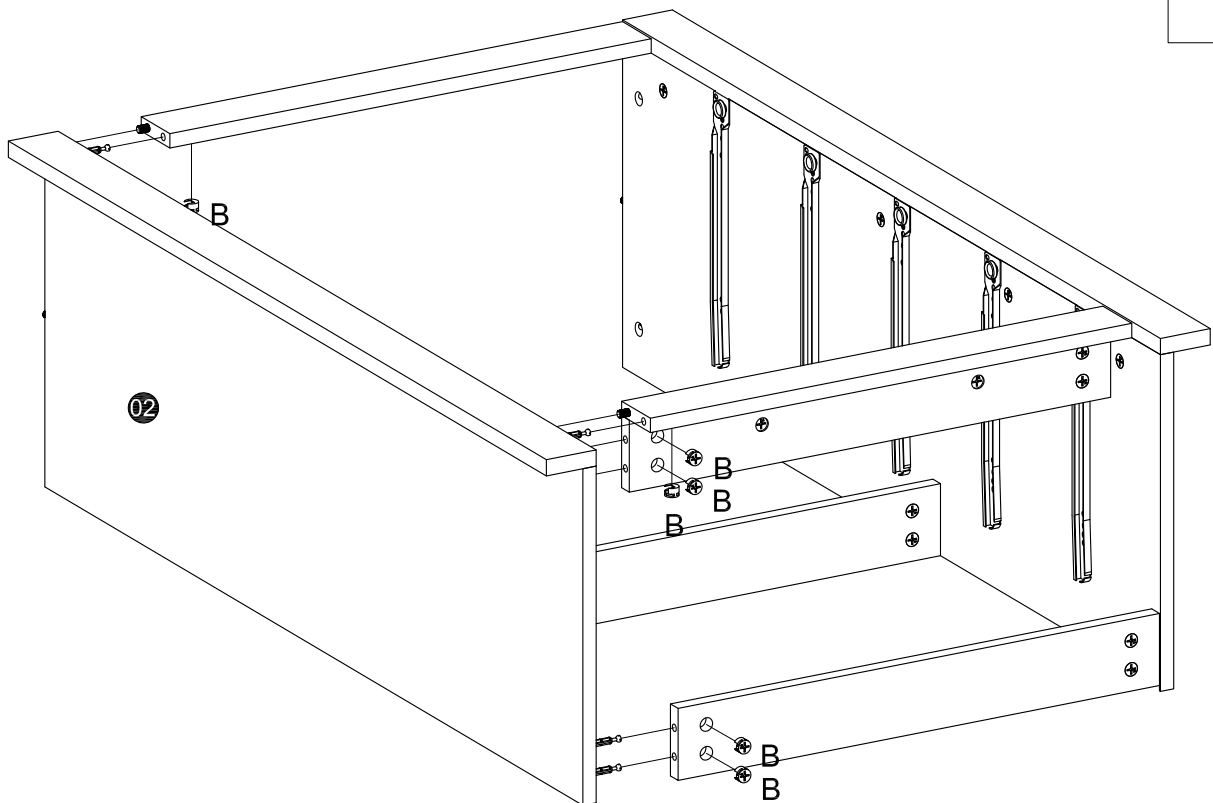
05

B CAM lock x8

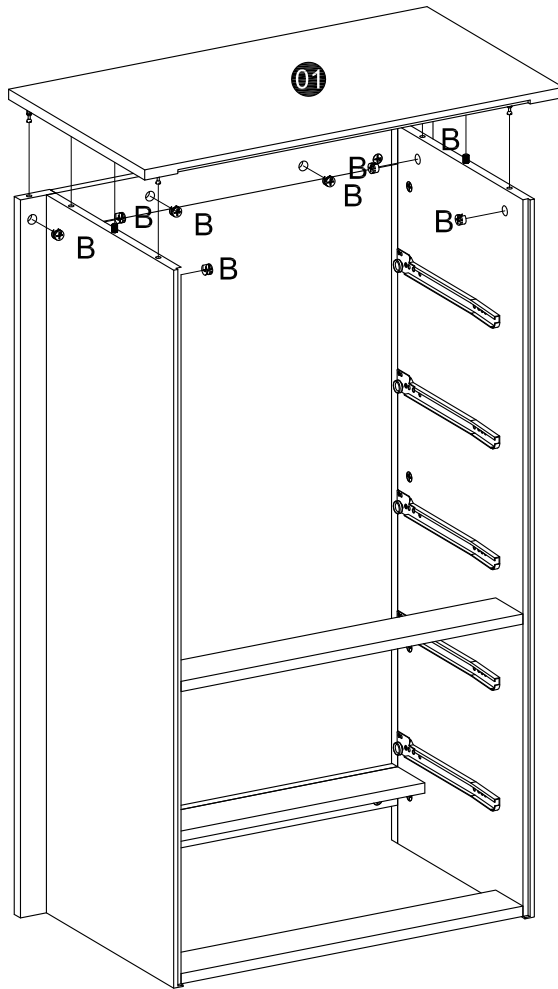


06

B CAM lock x8



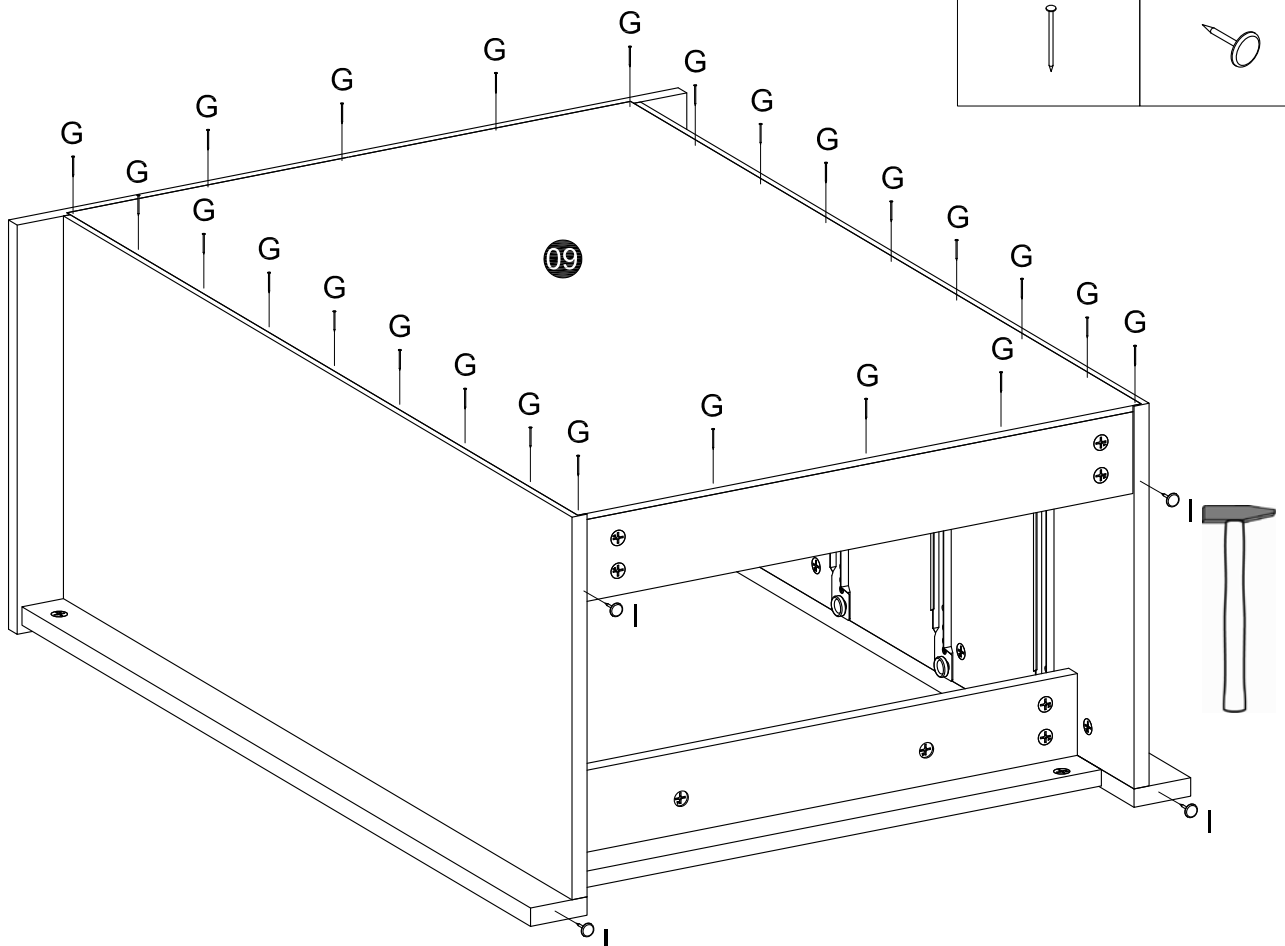
07



B CAM lock x8



08



G Nail



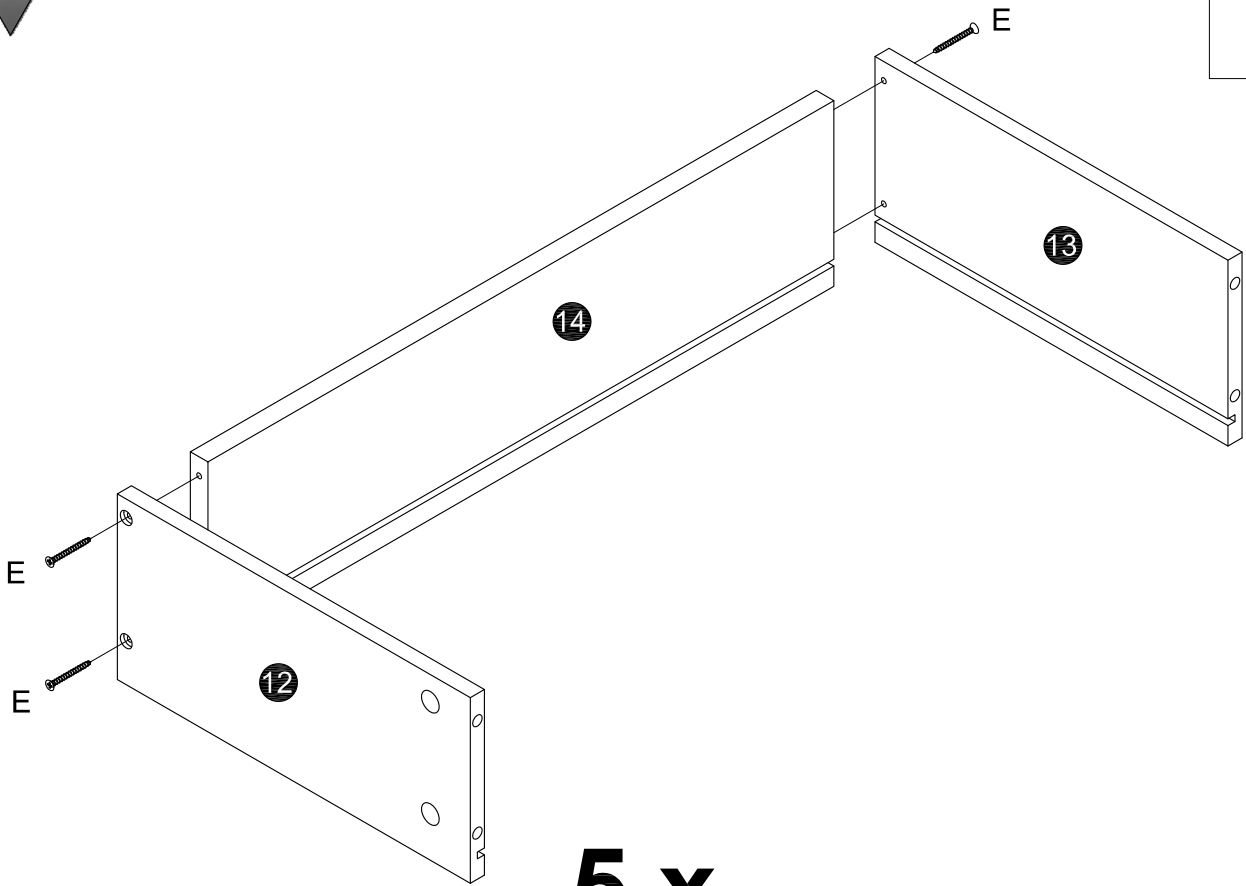
I Nail leg



x4

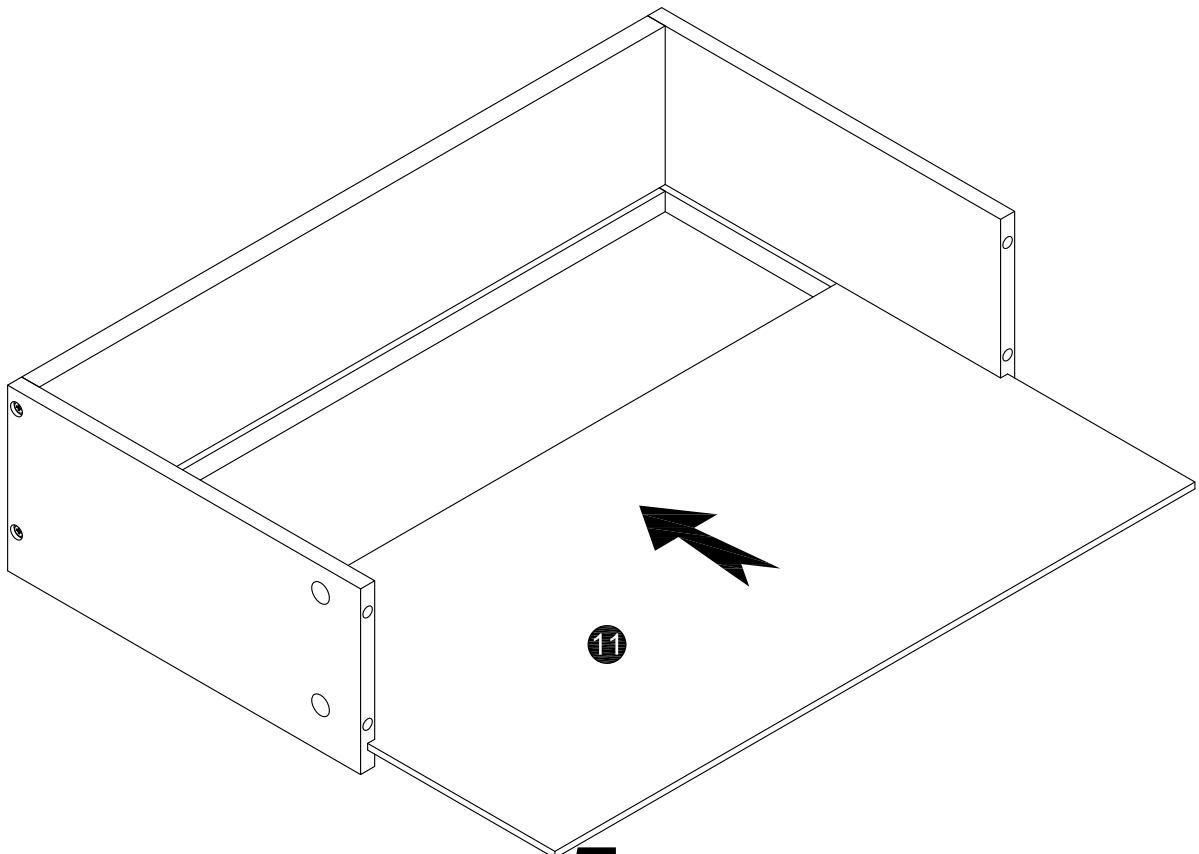
09

E Screw $\varnothing 3.5 \times 35$
x20



5 x

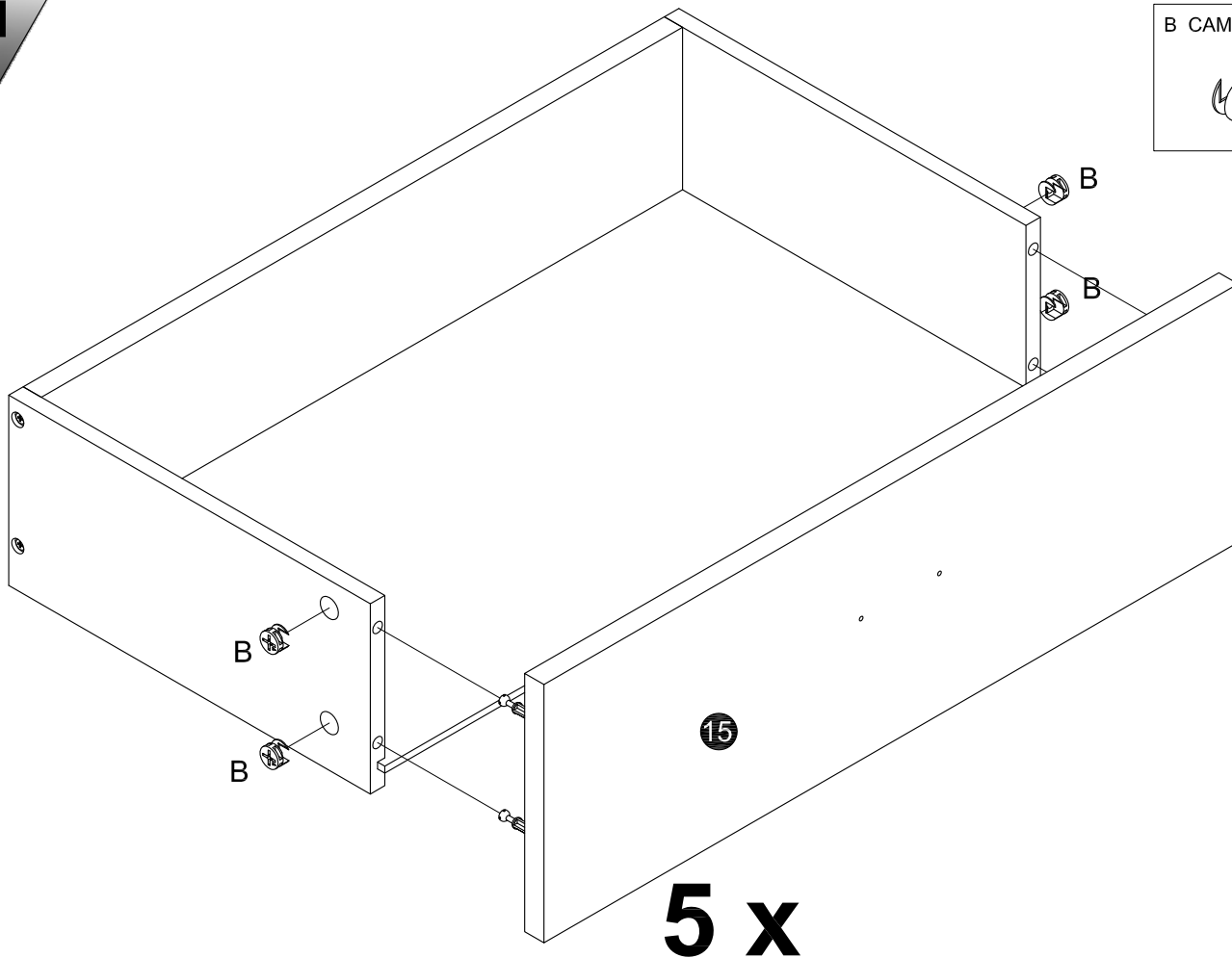
10



5 x

11

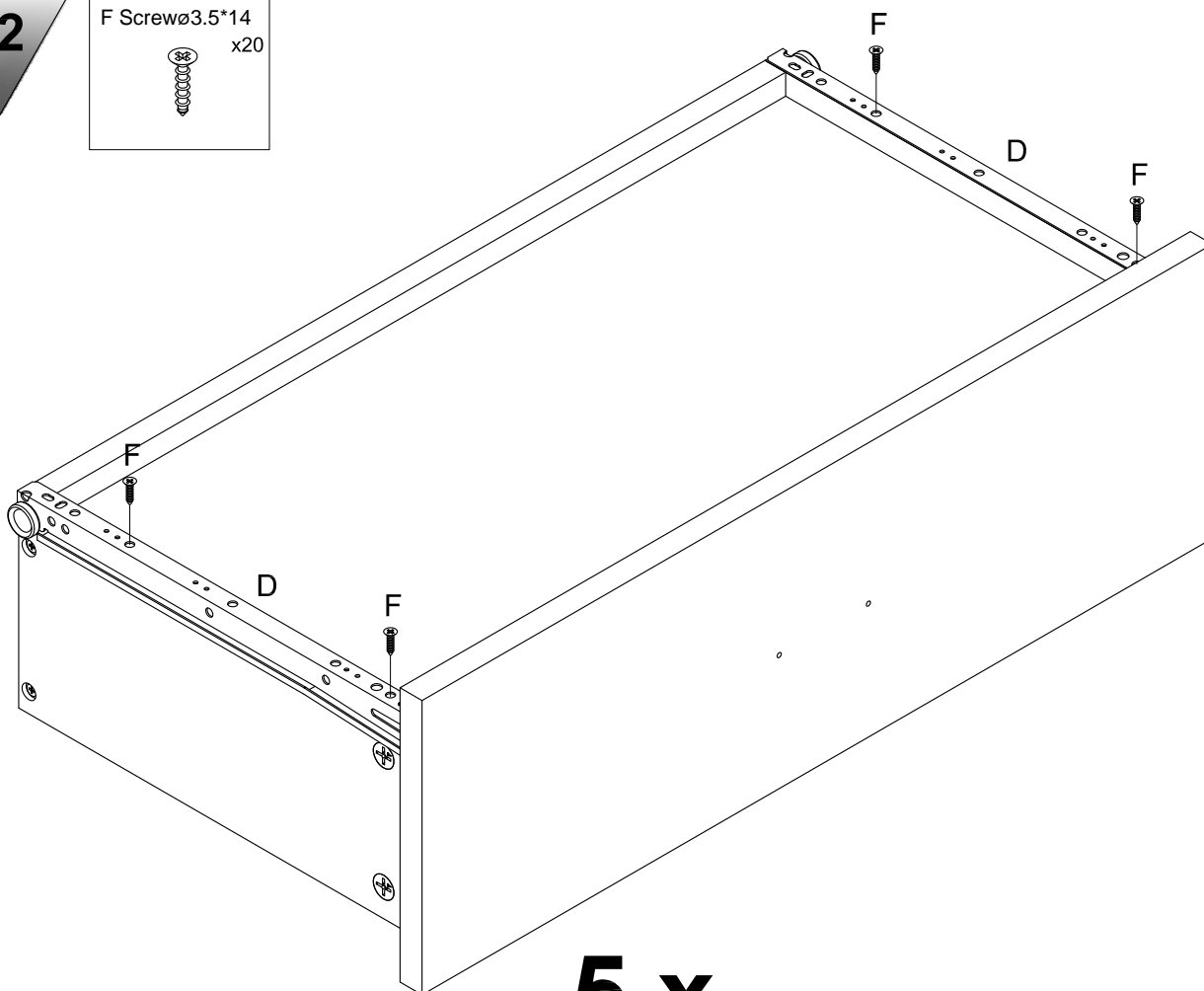
B CAM lock x20



5 x

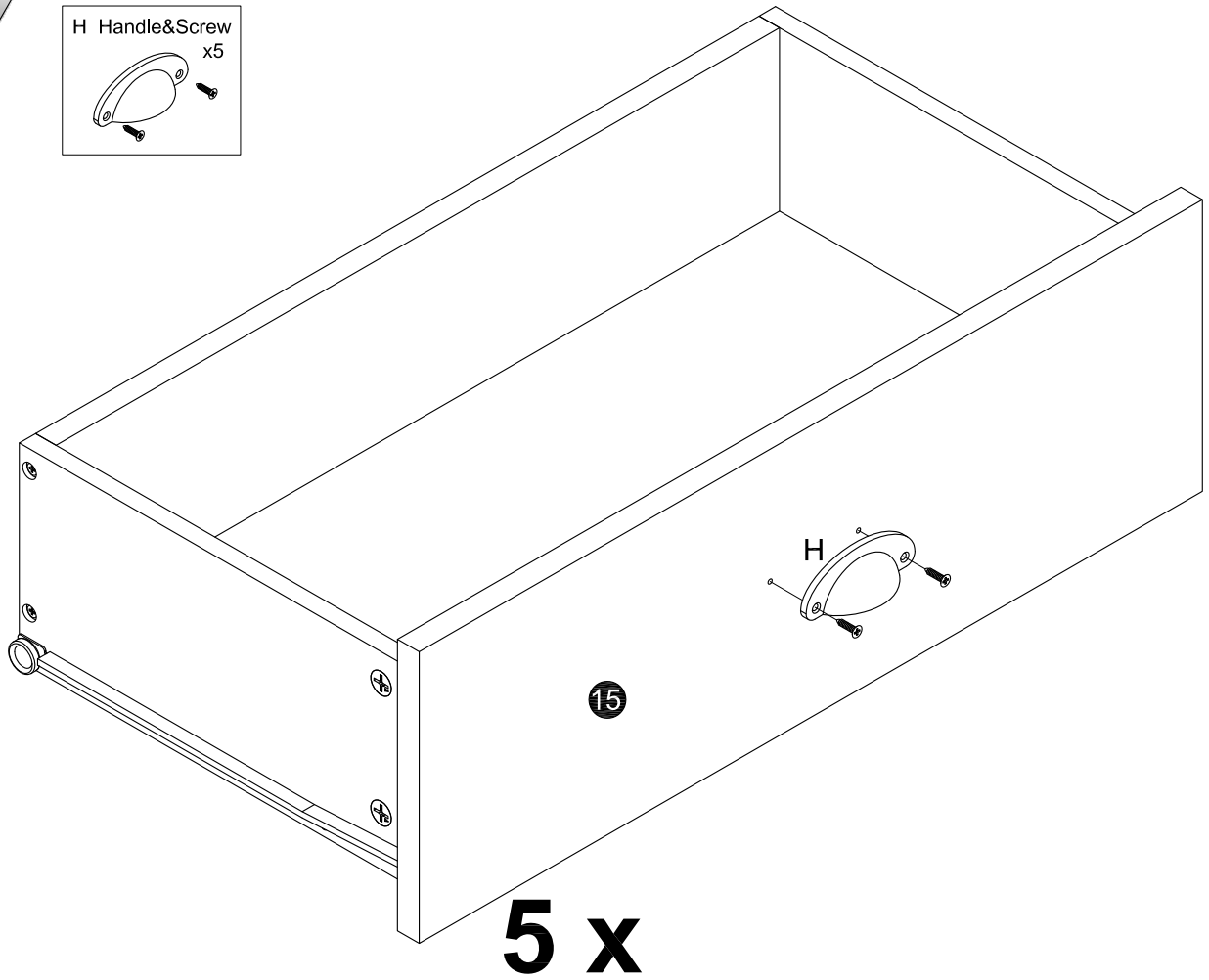
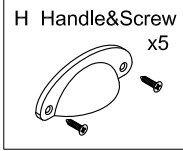
12

F Screw $\varnothing 3.5 \times 14$
x20

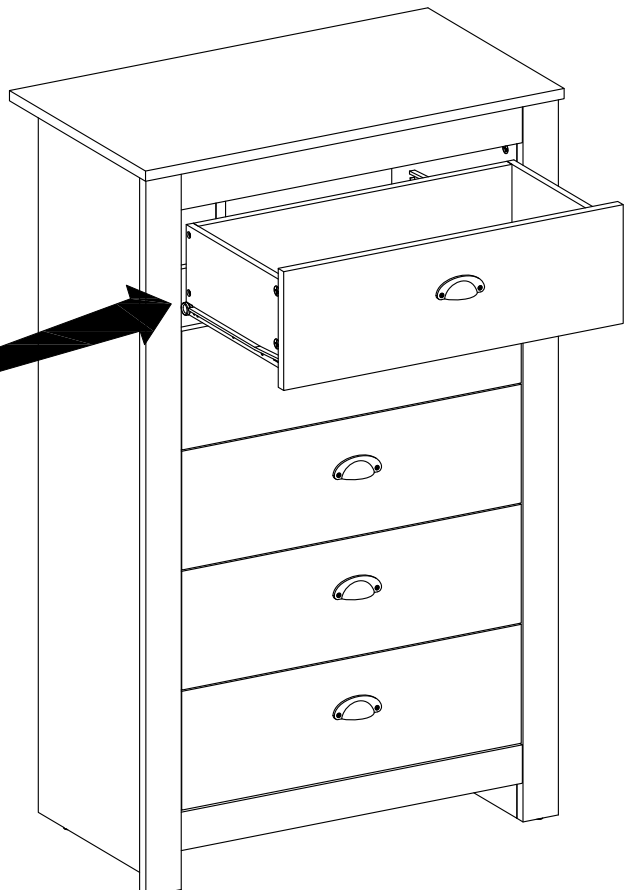
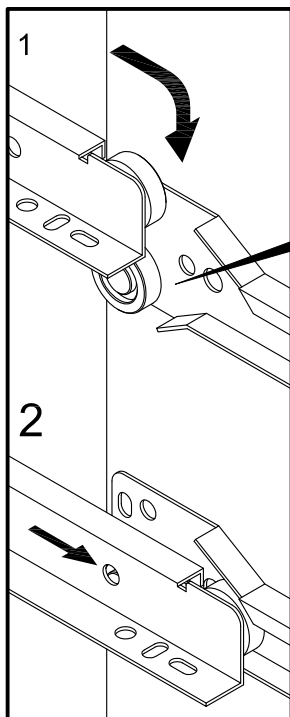


5 x

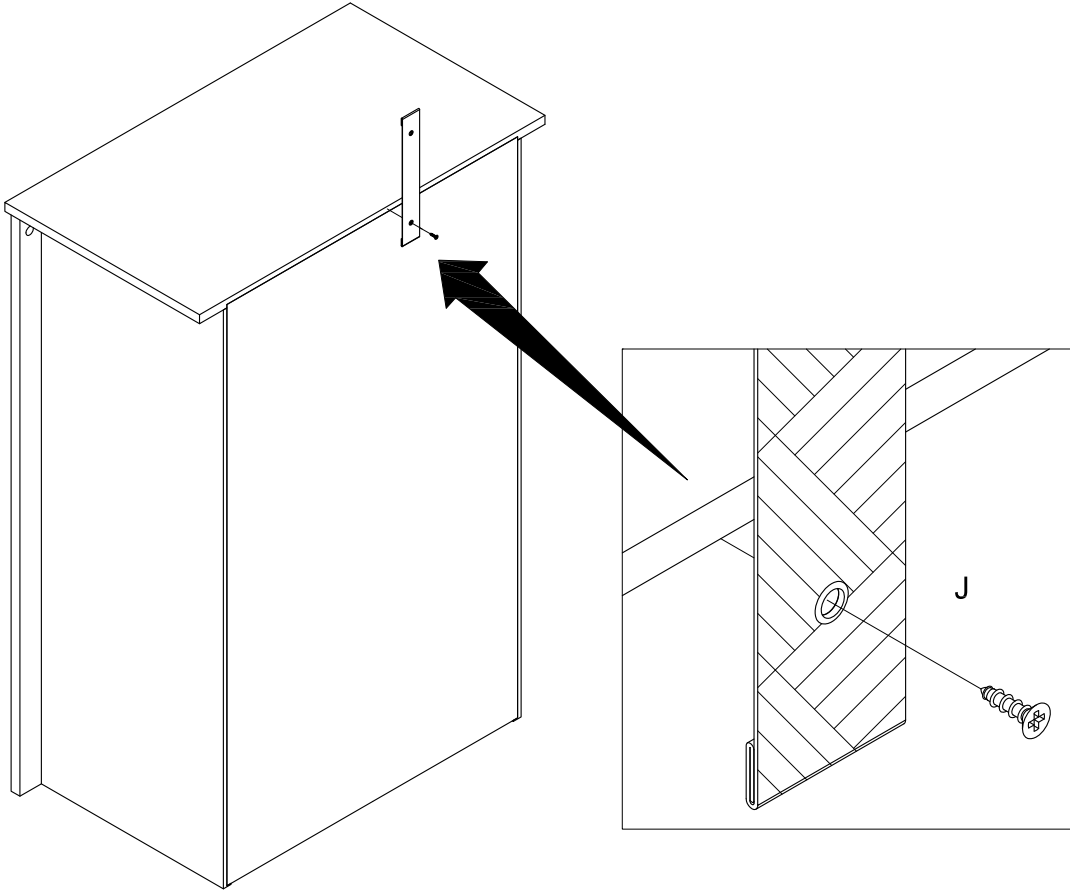
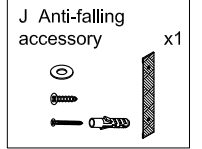
13



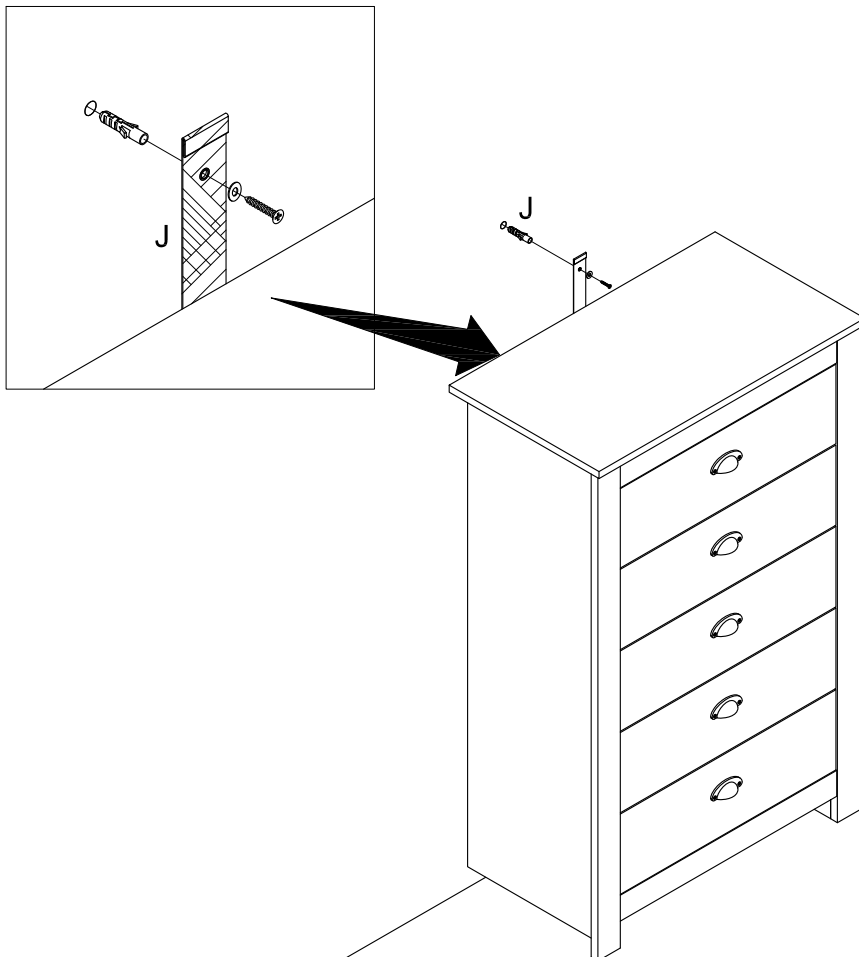
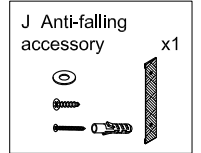
14



15



16





For assistance with assembly, or to request replacement parts, log onto our website or call Customer Service.

DO NOT RETURN THE PRODUCT TO THE STORE.

Si vous avez besoin d'aide pour le montage, ou pour demander des pièces de rechange, connectez-vous sur notre site Web ou appelez le service à la clientèle.

NE RETOURNEZ PAS LE PRODUIT AU MAGASIN.

Para obtener ayuda sobre el montaje o para solicitar piezas de repuesto, conéctese a nuestra página web o llame a Atención al cliente.

NO DEVUELVA EL PRODUCTO A LA TIENDA.

Wenn Sie Hilfe beim Aufbau oder Ersatzteile benötigen, melden Sie sich auf unserer Webseite an oder rufen Sie unseren Kundenservice an.

GEBEN SIE DAS PRODUKT NICHT IM GESCHÄFT ZURÜCK.

Als u hulp nodig heeft bij de montage of vervangende onderdelen wilt bestellen, kunt u inloggen op onze website of bellen met de klantenservice.

BRENG HET PRODUCT NIET TERUG NAAR DE WINKEL.

Per assistenza al montaggio, o per richiedere pezzi di ricambio, accedi al nostro sito o chiama il servizio clienti.

NON RESTITUIRE IL PRODOTTO AL NEGOZIO.

Para obter ajuda na montagem, ou para solicitar peças de substituição, inicie a sessão no nosso sítio da Internet ou ligue para o Serviço de Apoio ao Cliente.

NÃO DEVOLVA O PRODUTO À LOJA.

US,

UK:

DREAMS LIVING LIMITED. UNIT 4
HAY HALL BUSINESS PARK 132-150
REDFERN ROAD TYSELEY B11 2BE
Tel: 01217074423,
Email: help@yakoe.co.uk

Spain:

Other European Countries: