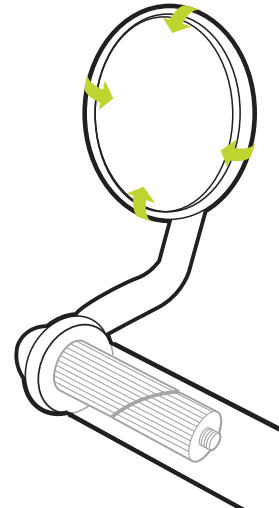




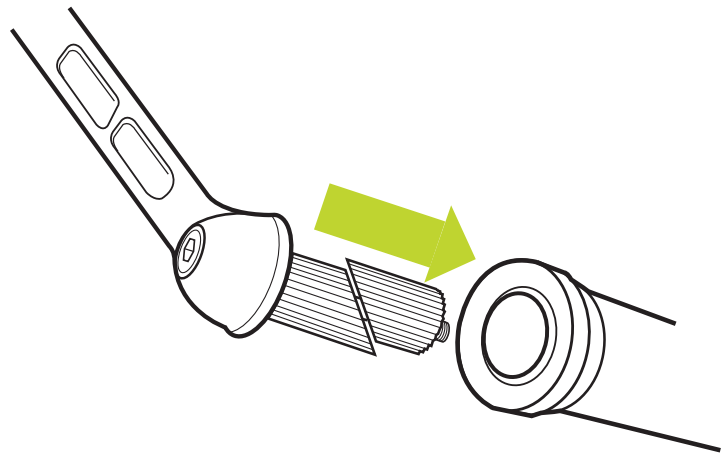
# Premium Bar End Cycling Mirror

## Assembly instructions MM1000

Tool Required  
5mm Allen Key



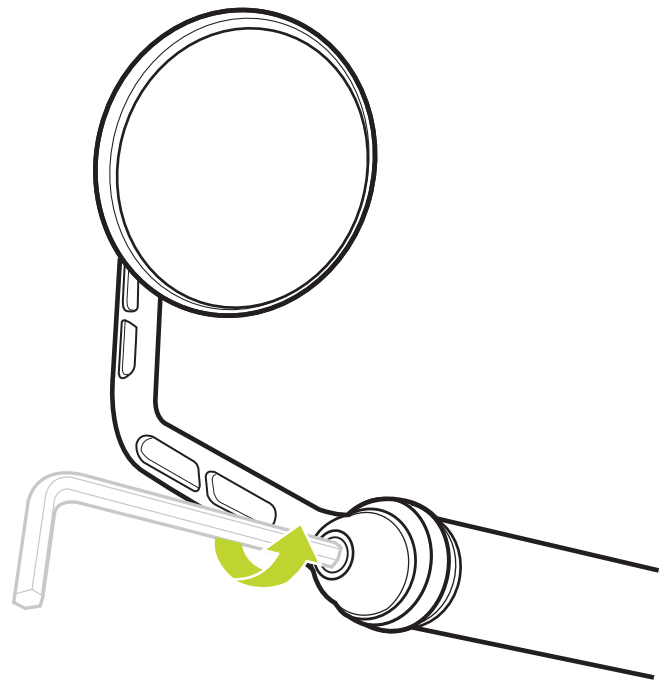
- 1 Place the tightening rod of the mirror into the handlebar of your bike.



- 2 Use the allen key to tighten the rod, securing the mirror in place.



**NOTE** Be sure to keep the mirror in the desired end position while tightening.



010923

**Service:** Please do not return to store; for immediate response email [service@designbydelta.com](mailto:service@designbydelta.com)



Delta Cycle Corporation  
36 York Avenue, Randolph, MA 02368 USA  
800-474-6615 / [www.designbydelta.com](http://www.designbydelta.com)

© Copyright 2023