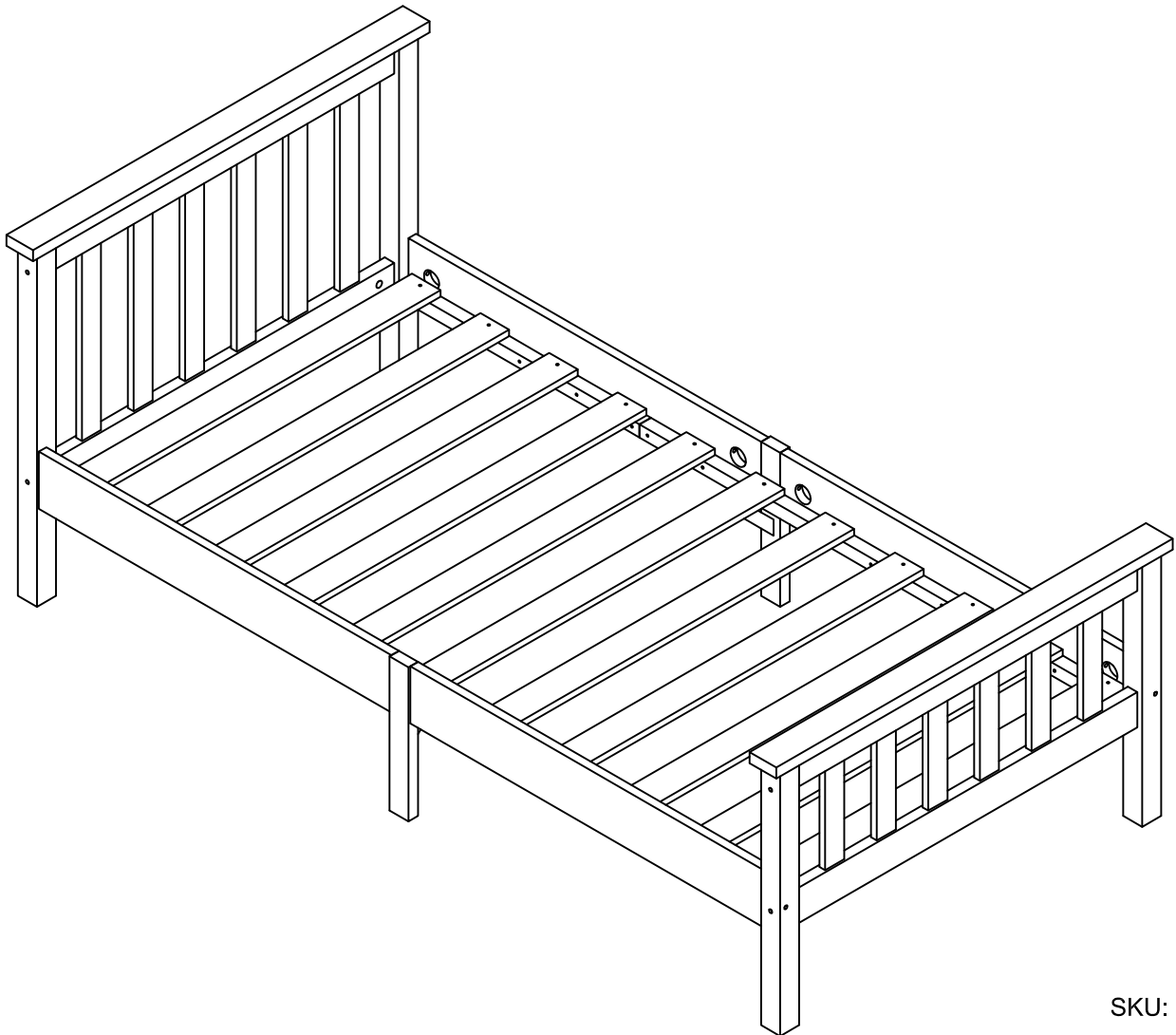


Single Bed

USER MANUAL | MODE D'EMPLOI | MANUAL DEL USUARIO | GEBRAUCHSANLEITUNG |
GEBRUIKSHANDLEIDING | MANUALE PER L'UTENTE | MANUAL DO UTILIZADOR



21754-20
SKU: 21755-20
23102-20



Please keep your original packages ,
due to health and safety reasons ,
we cannot accept returns without
original packages.

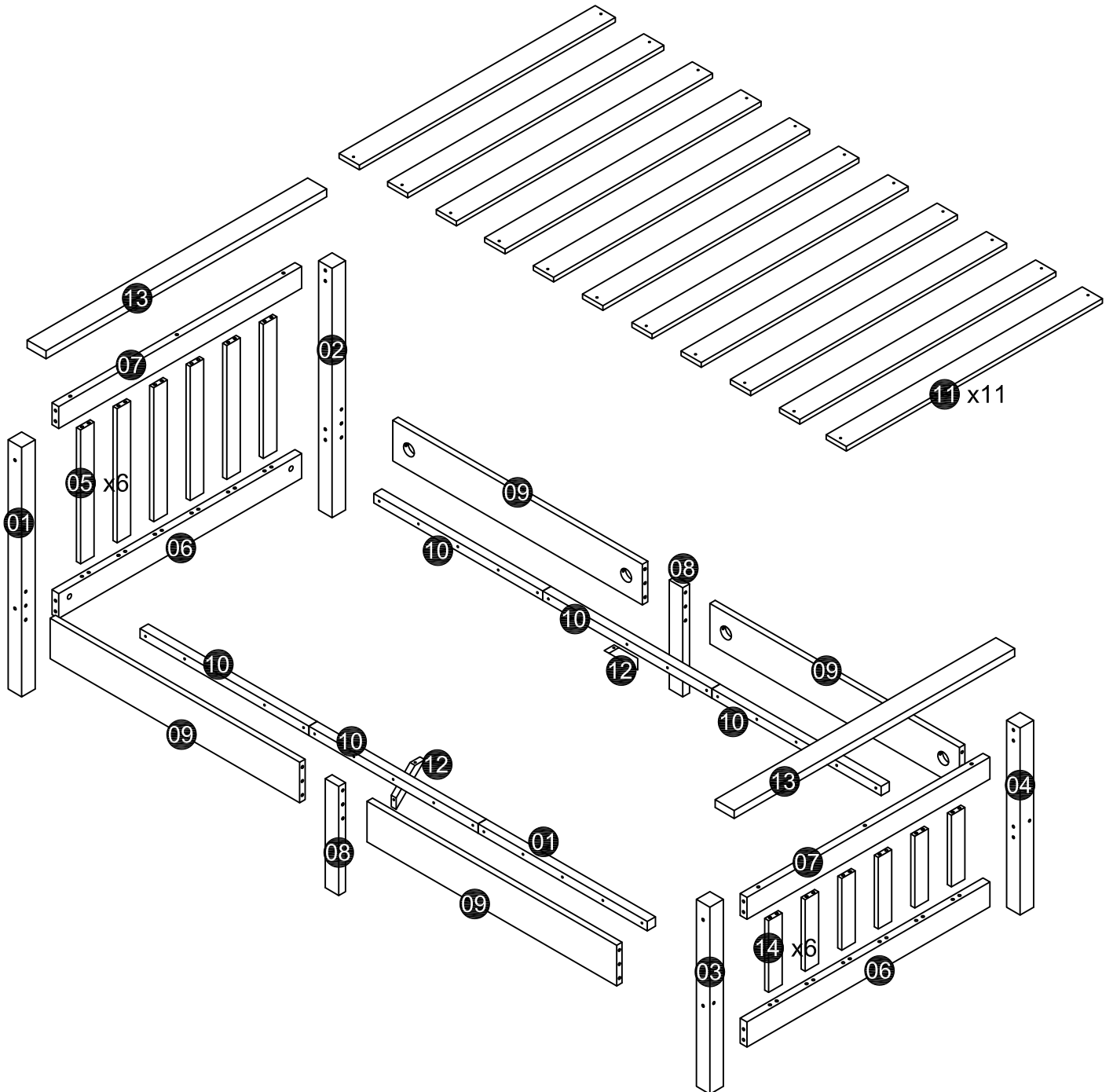
Tel: 03300581588

Email: info@dreamsliving.co.uk


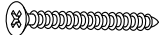


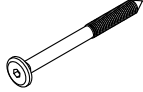

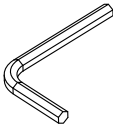
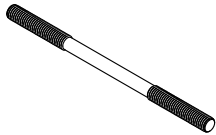
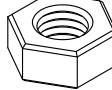
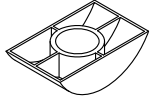
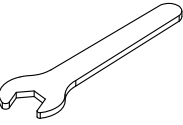



We will resolve the issues for you within 1 working day!

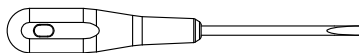
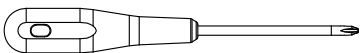
EXPLODED VIEW



HARDWARE

<p>A wooden dowel x72</p>  <p>Ø8 x30mm</p>	<p>B Screw x56</p>  <p>Ø4 x30mm</p>	<p>C Bolt x8</p>  <p>M6 x80mm</p>	<p>D Screw x4</p>  <p>Ø6 x80mm</p>	<p>E Screw x6</p>  <p>M6 x70mm</p>
<p>F Nut x4</p> 	<p>G Allen Key x1</p> 	<p>H Bolt bar x2</p>  <p>M6 x140mm</p>	<p>I Nut x8</p> 	<p>J Half moon washer x8</p> 
<p>K Spanner x1</p> 	<p>L Washer x8</p> 			

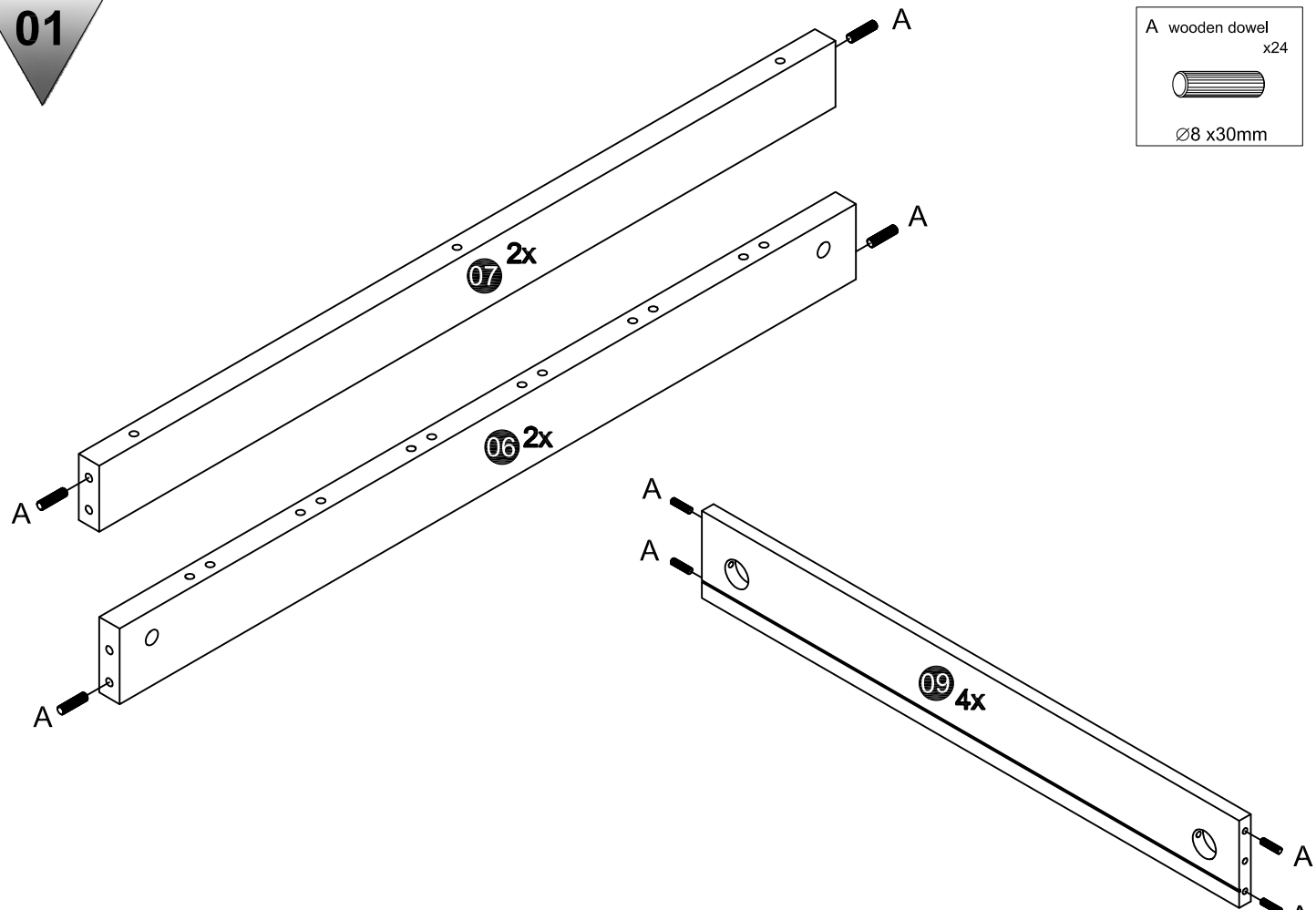
TOOLS



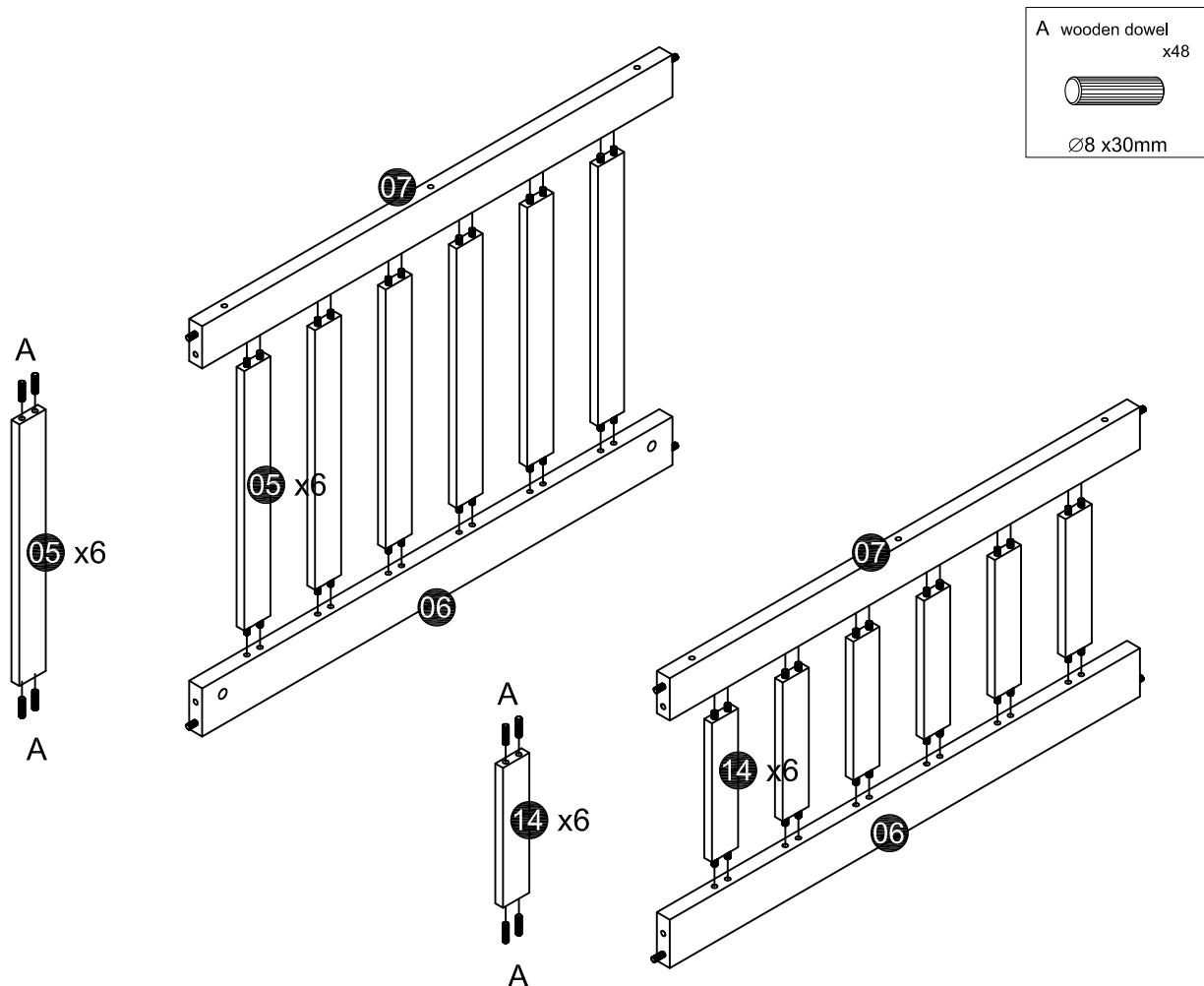
Ruler - Use this ruler to help correctly identify the screws



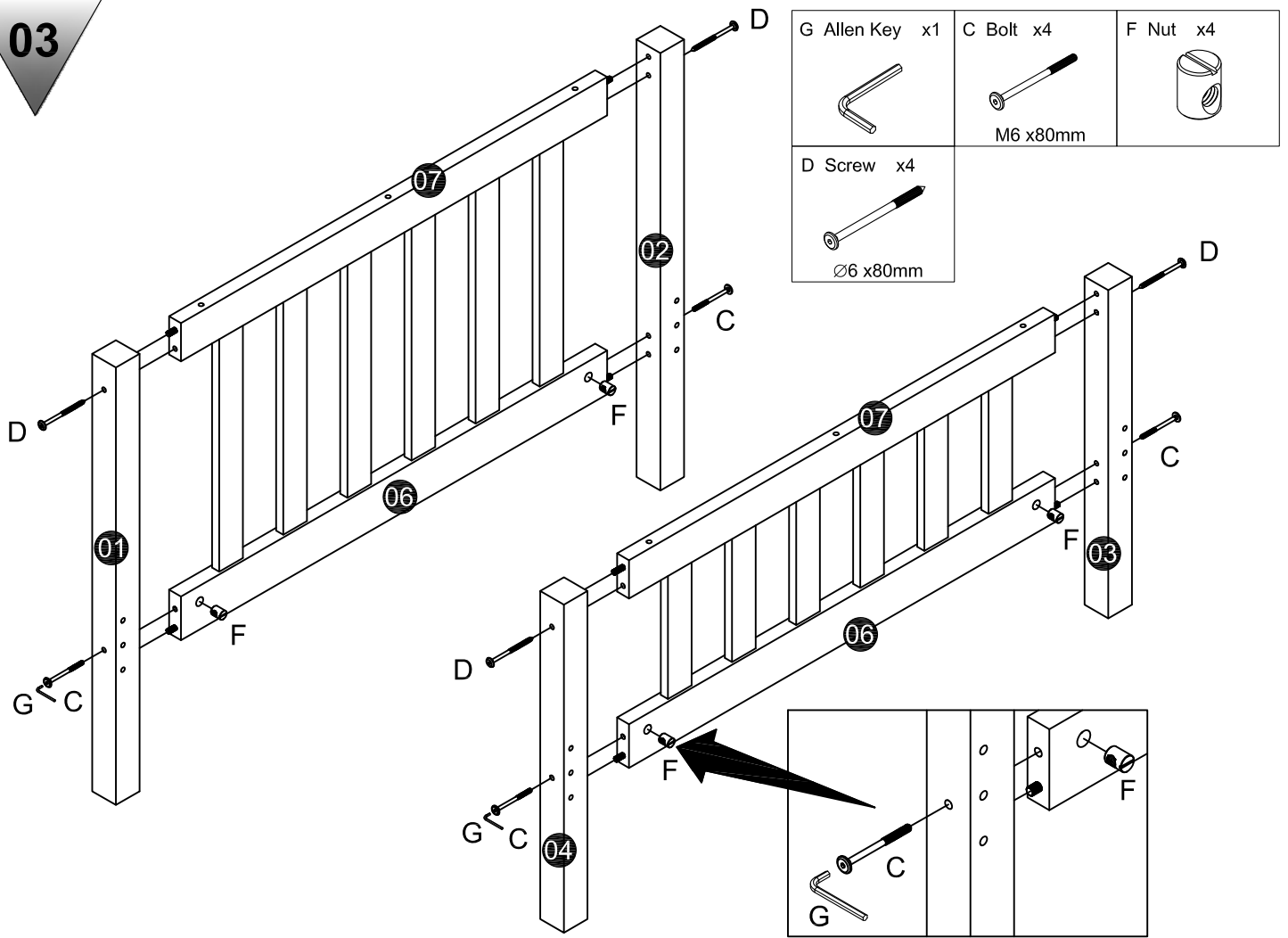
01



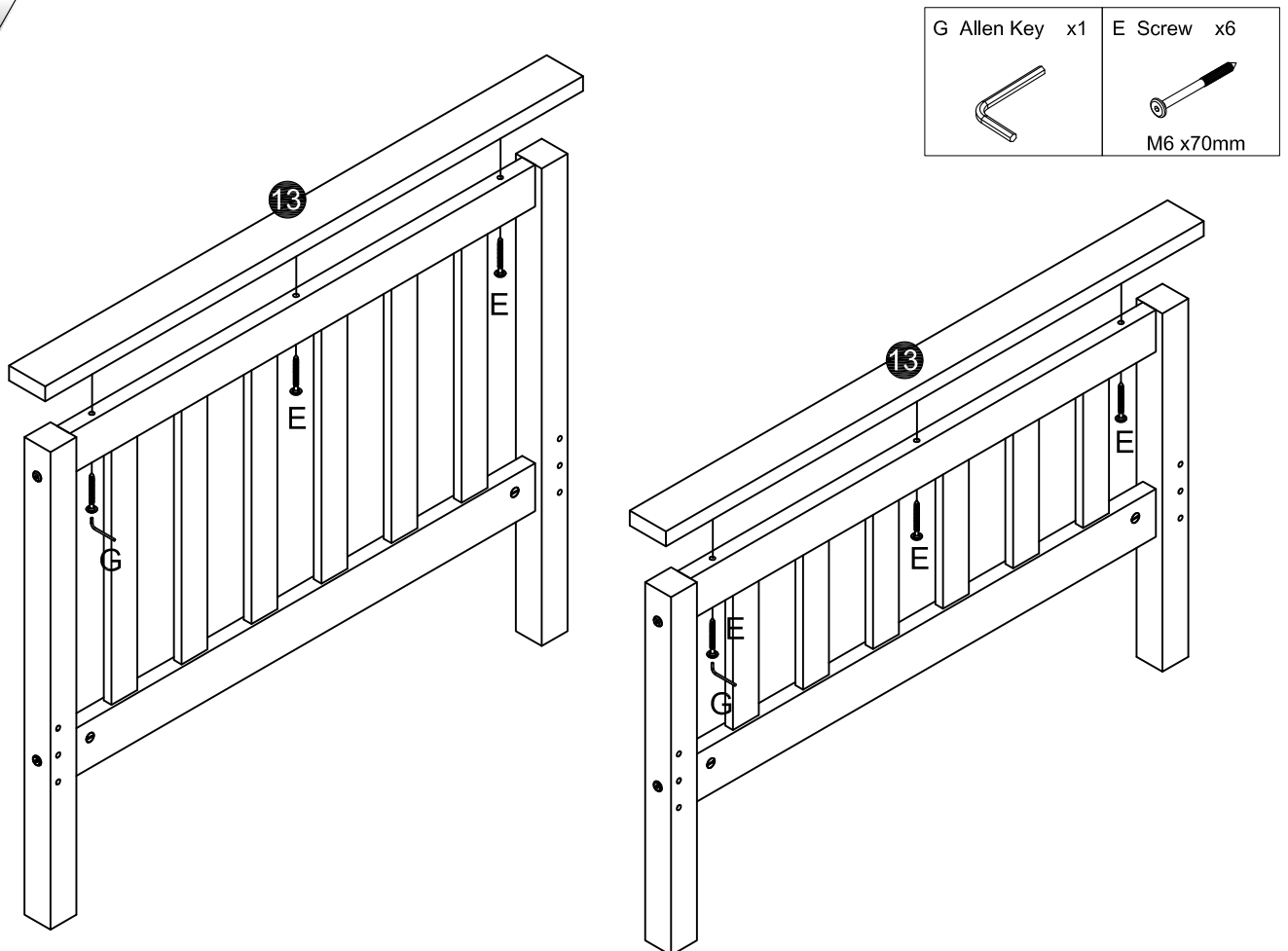
02




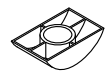

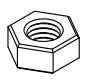
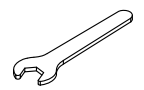
03

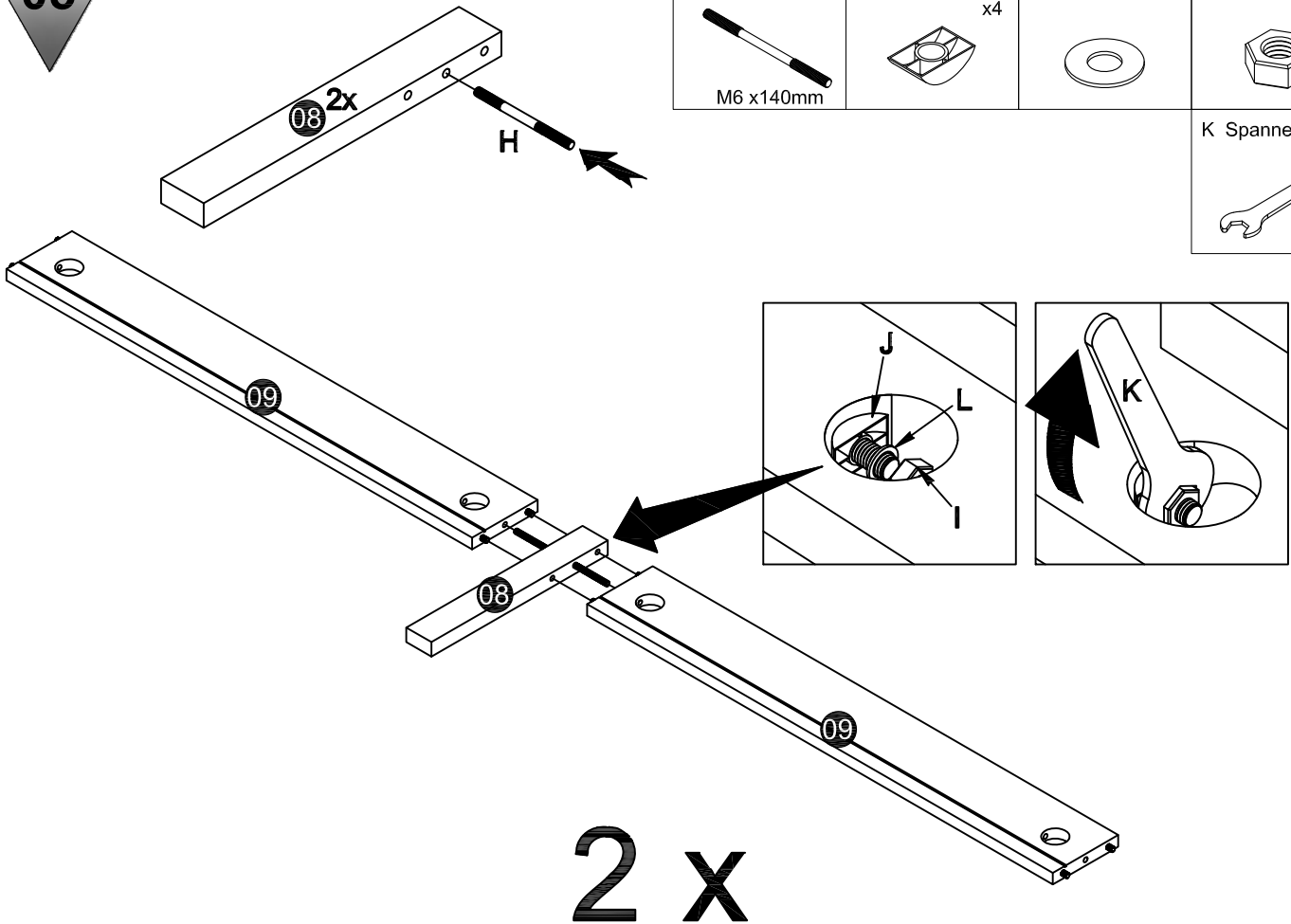


04




05

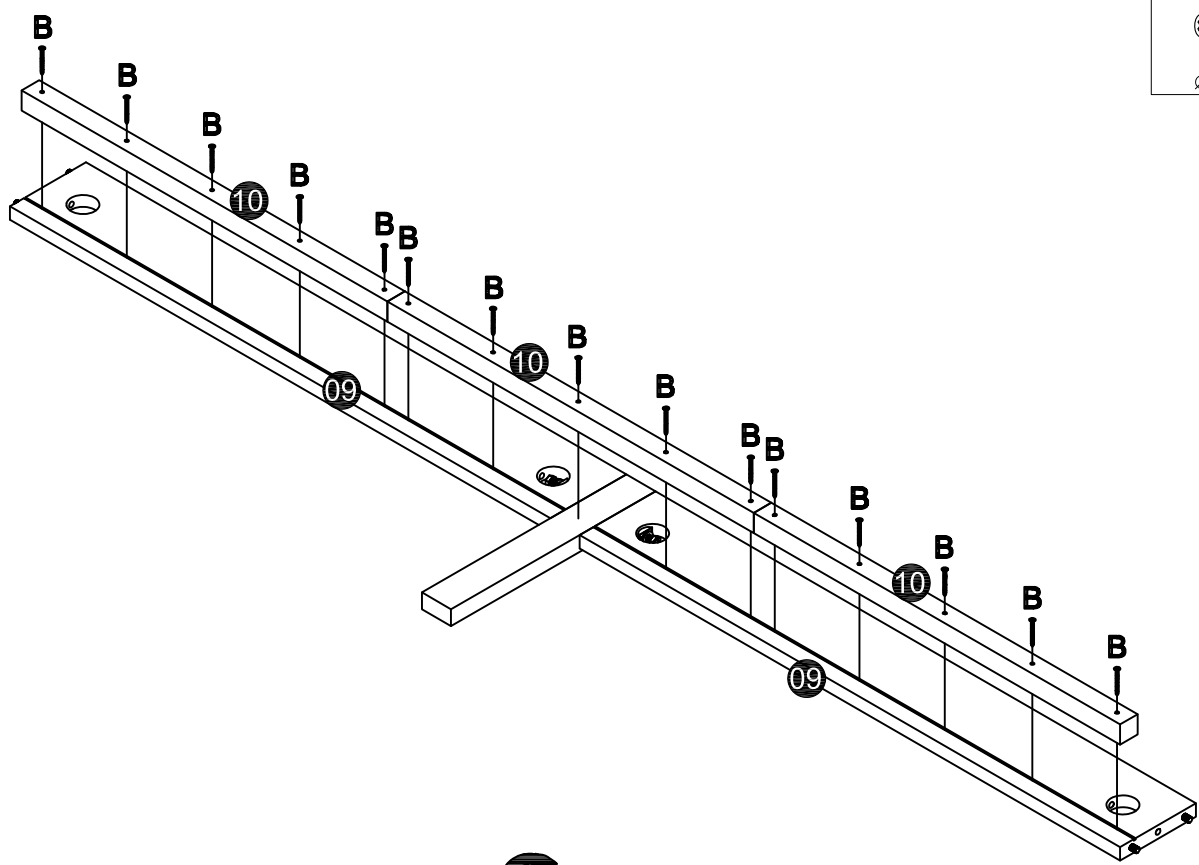
H Bolt bar x2 M6 x140mm 	J Half moon washer x4 	L Washer x4 	I Nut x4 
			K Spanner x1 



2 x

06

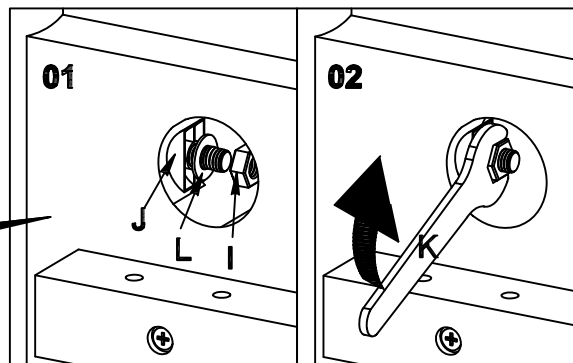
B Screw x30 Ø4 x30mm 
--



2 x

07

C Bolt x4
M6 x80mm



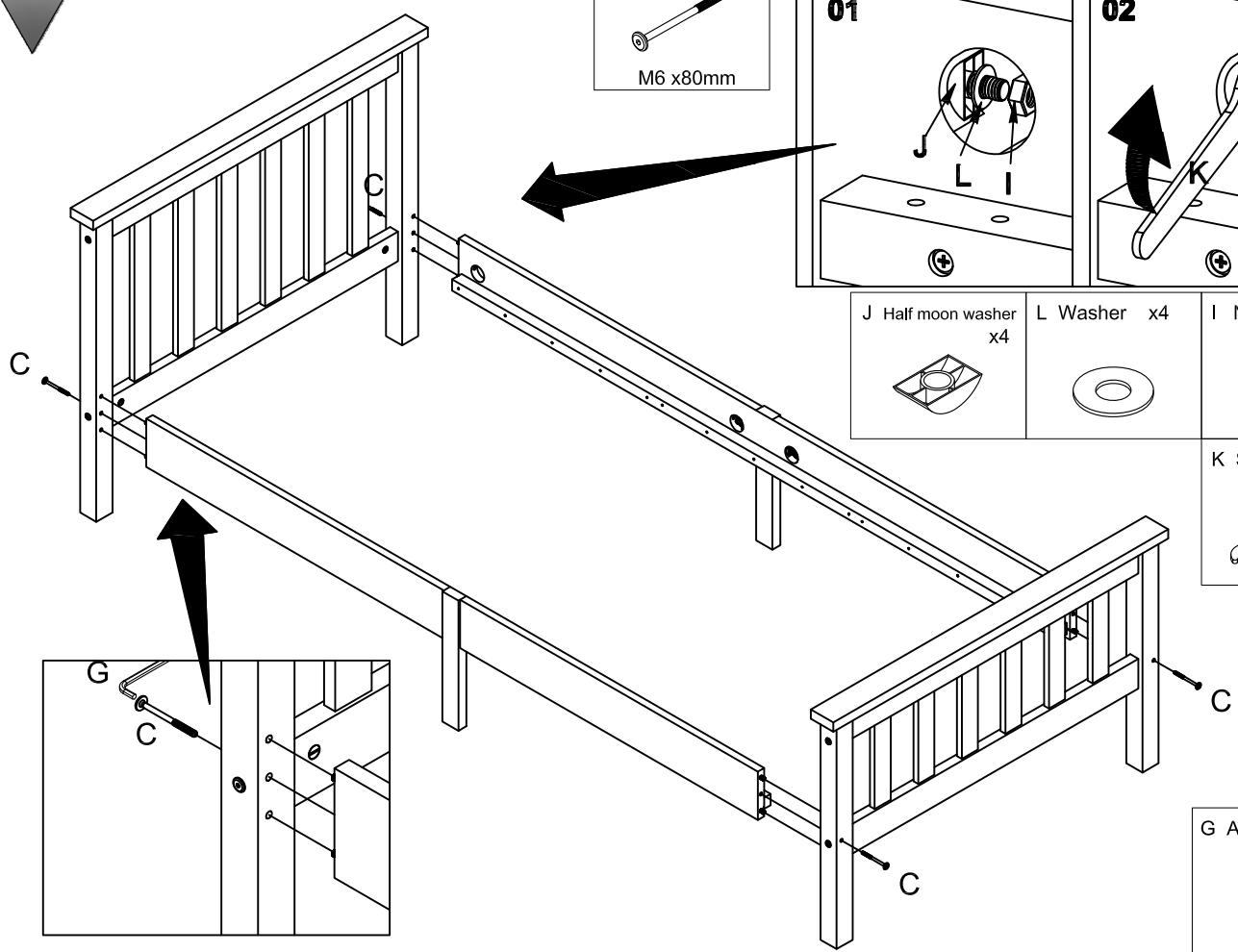
J Half moon washer x4

L Washer x4

I Nut x4

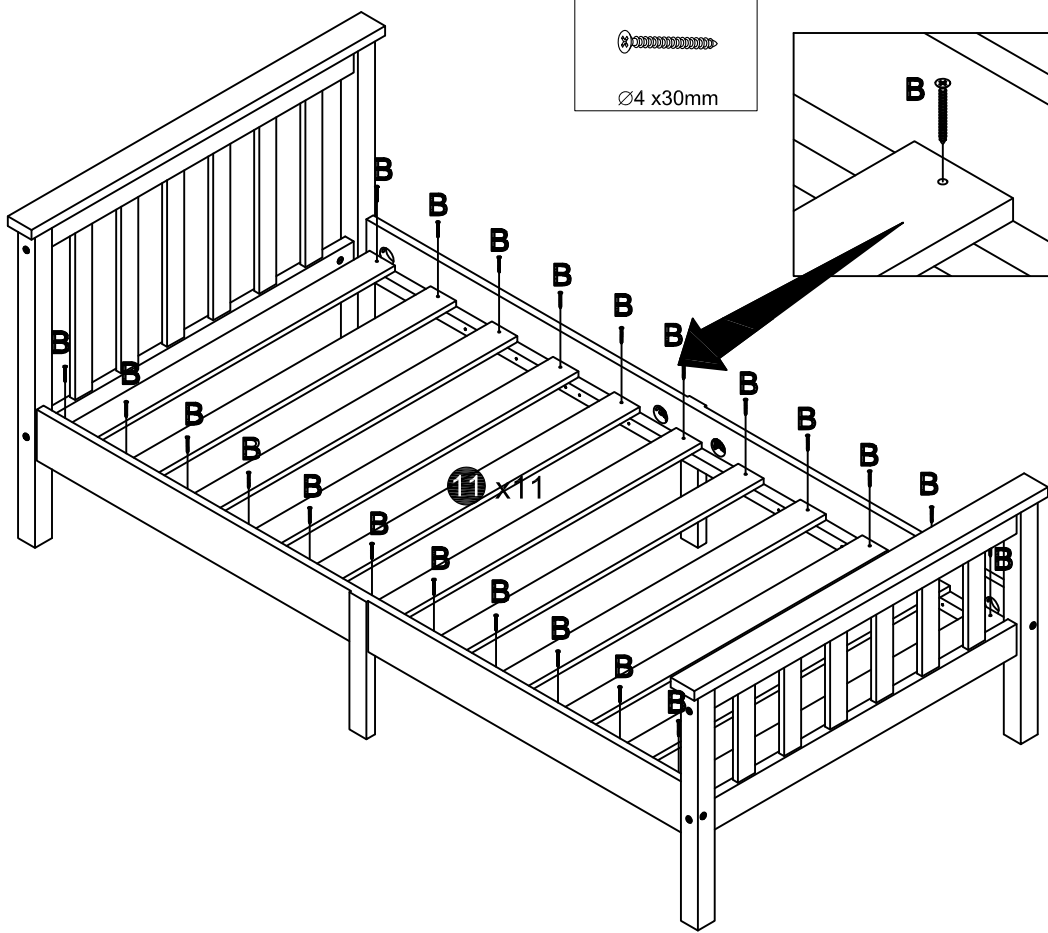
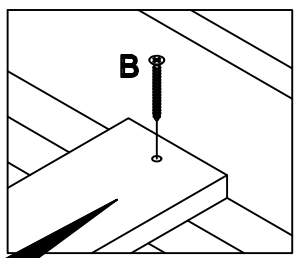
K Spanner x1

G Allen Key x1



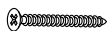
08

B Screw x22
Ø4 x30mm

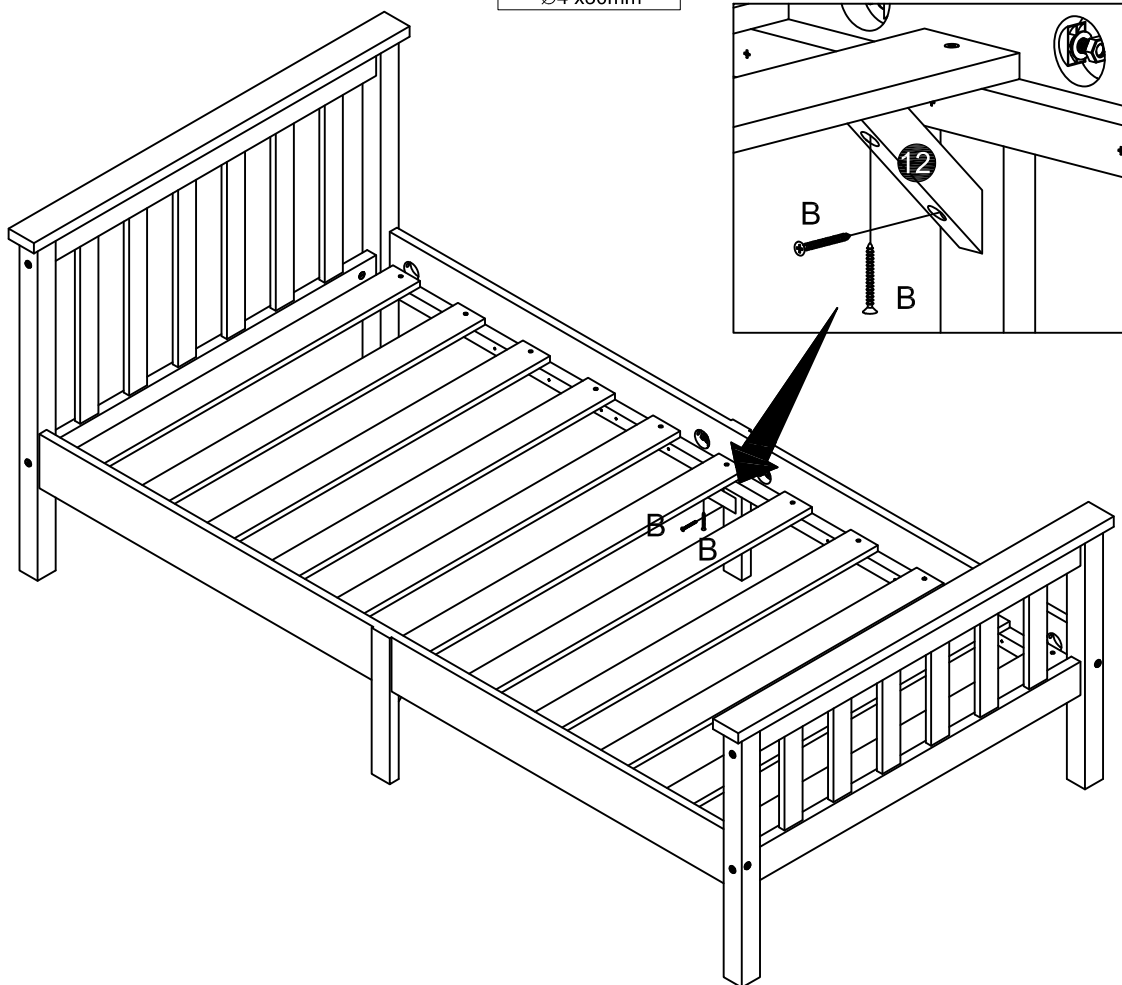


09

B Screw x4



Ø4 x30mm



For assistance with assembly, or to request replacement parts, log onto our website or call Customer Service.

DO NOT RETURN THE PRODUCT TO THE STORE.

Si vous avez besoin d'aide pour le montage, ou pour demander des pièces de rechange, connectez-vous sur notre site Web ou appelez le service à la clientèle.

NE RETOURNEZ PAS LE PRODUIT AU MAGASIN.

Para obtener ayuda sobre el montaje o para solicitar piezas de repuesto, conéctese a nuestra página web o llame a Atención al cliente.

NO DEVUELVA EL PRODUCTO A LA TIENDA.

Wenn Sie Hilfe beim Aufbau oder Ersatzteile benötigen, melden Sie sich auf unserer Webseite an oder rufen Sie unseren Kundenservice an.

GEBEN SIE DAS PRODUKT NICHT IM GESCHÄFT ZURÜCK.

Als u hulp nodig heeft bij de montage of vervangende onderdelen wilt bestellen, kunt u inloggen op onze website of bellen met de klantenservice.

BRENG HET PRODUCT NIET TERUG NAAR DE WINKEL.

Per assistenza al montaggio, o per richiedere pezzi di ricambio, accedi al nostro sito o chiama il servizio clienti.

NON RESTITUIRE IL PRODOTTO AL NEGOZIO.

Para obter ajuda na montagem, ou para solicitar peças de substituição, inicie a sessão no nosso sítio da Internet ou ligue para o Serviço de Apoio ao Cliente.

NÃO DEVOLVA O PRODUTO À LOJA.

US,

UK:

DREAMS LIVING LIMITED. UNIT 4
HAY HALL BUSINESS PARK 132-150
REDFERN ROAD TYSELEY B11 2BE
Tel: 03300581588
Email: info@dreamsliving.co.uk

Spain:

Other European Countries: