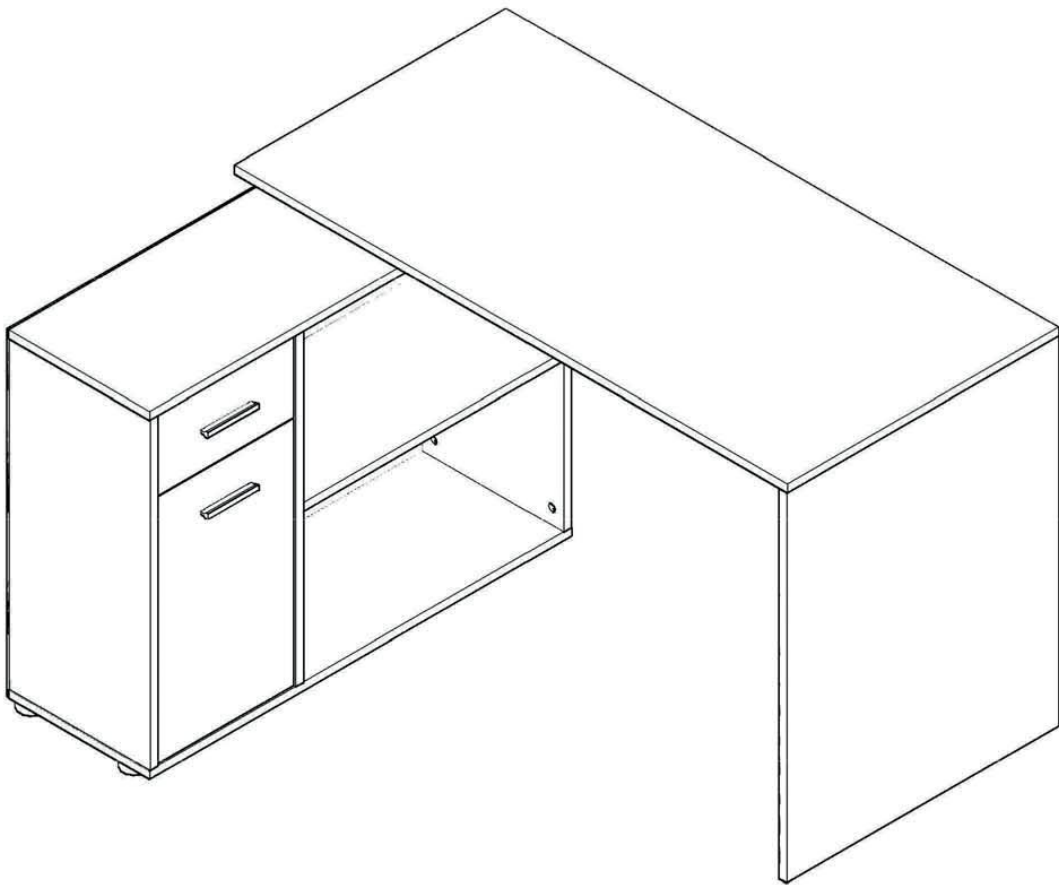
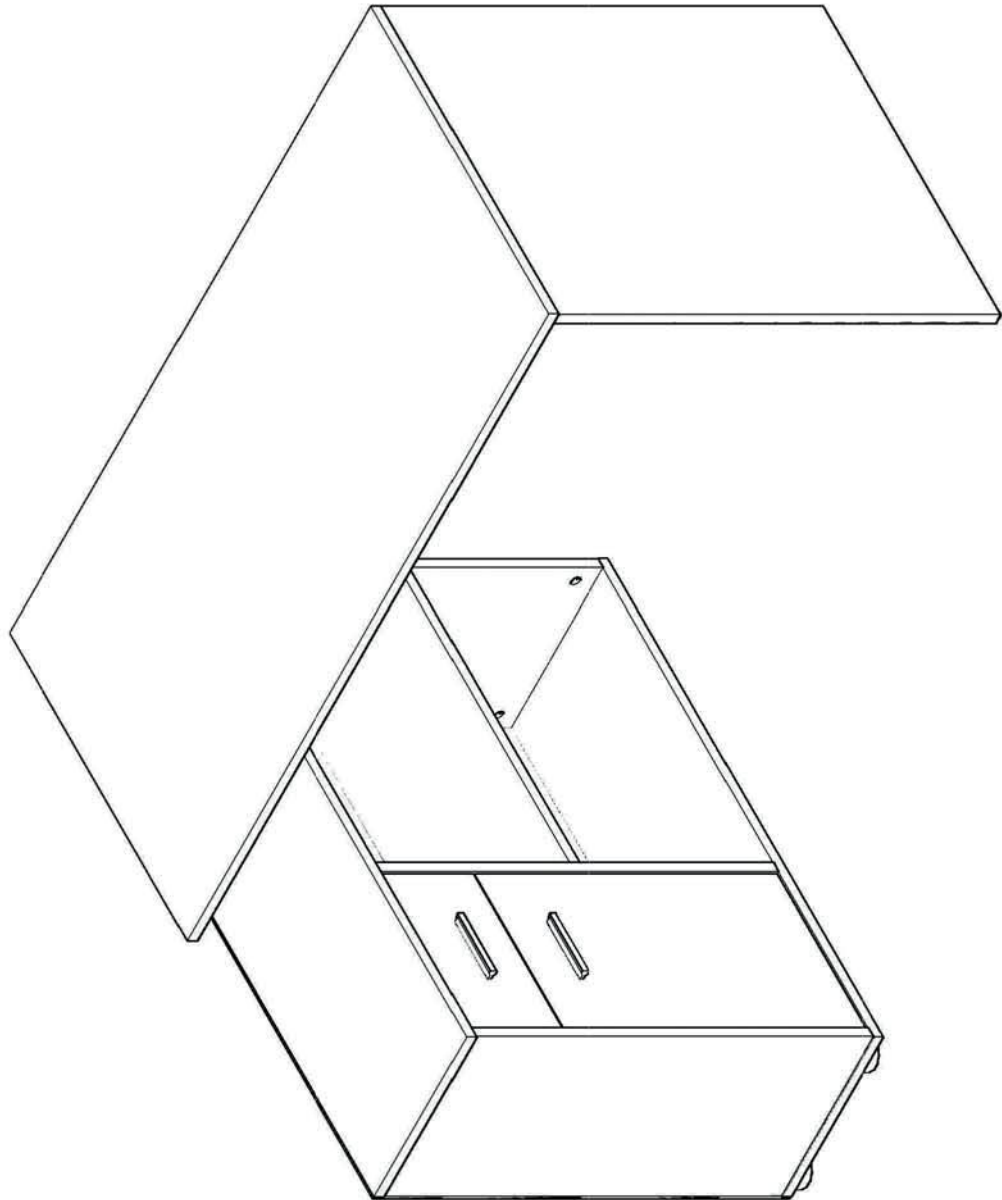


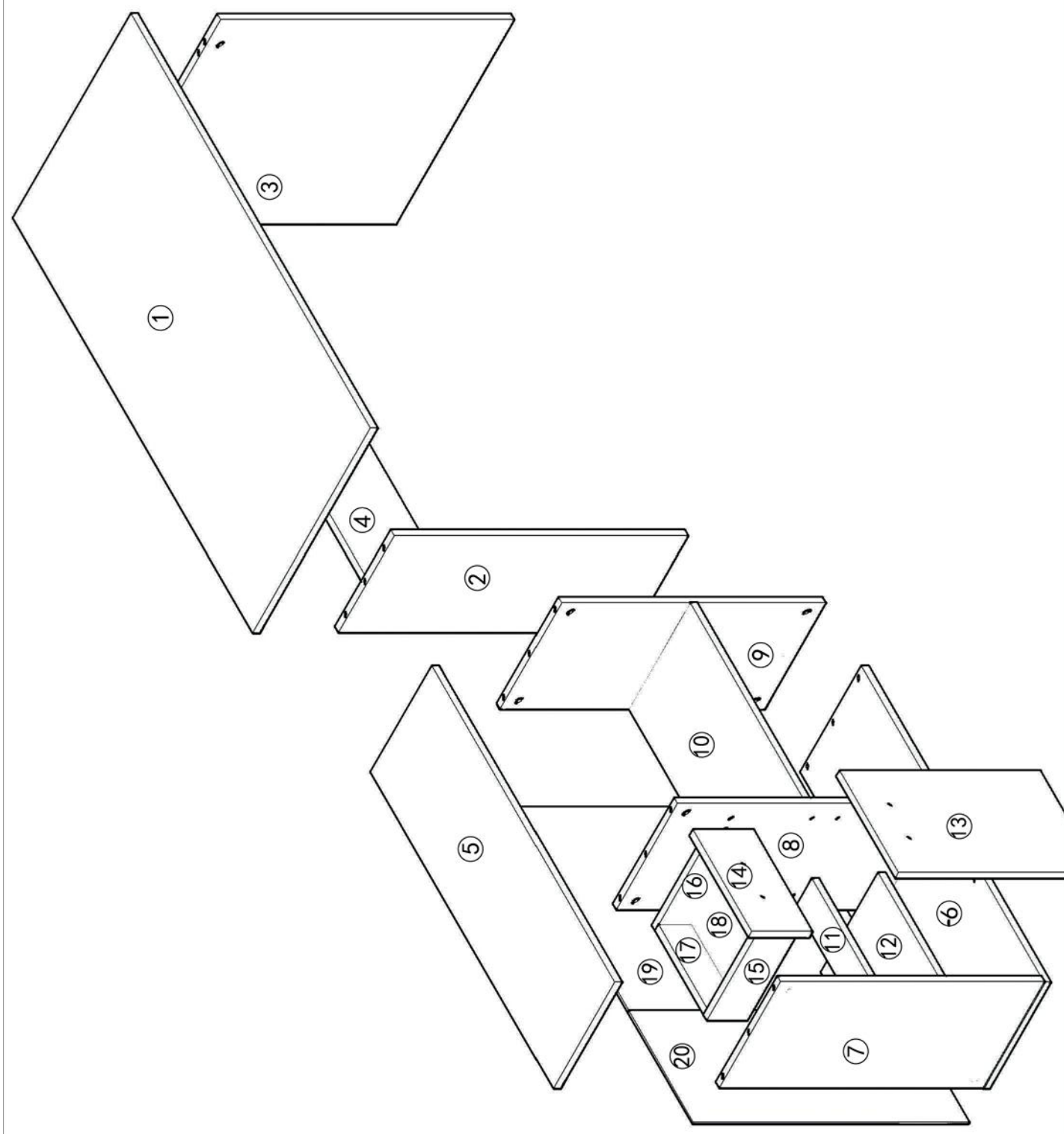
2 Drawer Desk

Assembly Instructions

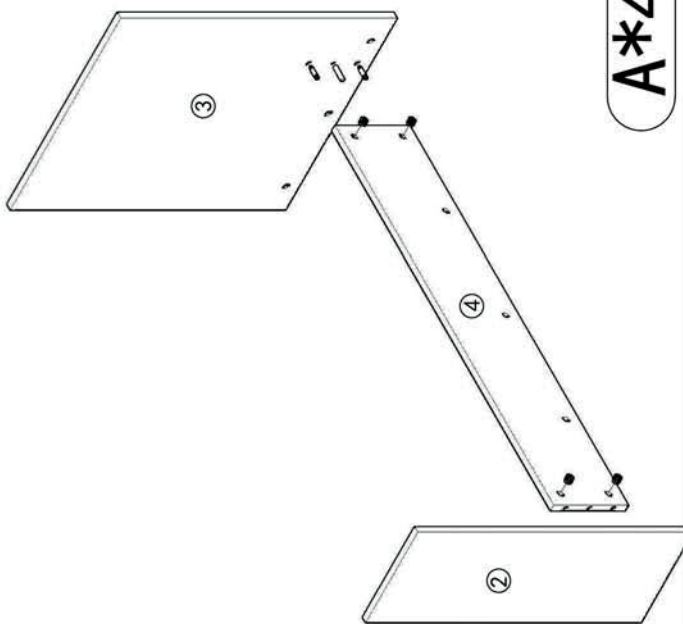


A	36x	
B	26x	
C	3x	
D	20x	 3.5*14
F	4x	 3.5*35
G	4x	
H	12x	 H1 8X H2 4X
I	25x	
J	1x	
	1x	
L	2x	
N	2x	
U	36x	



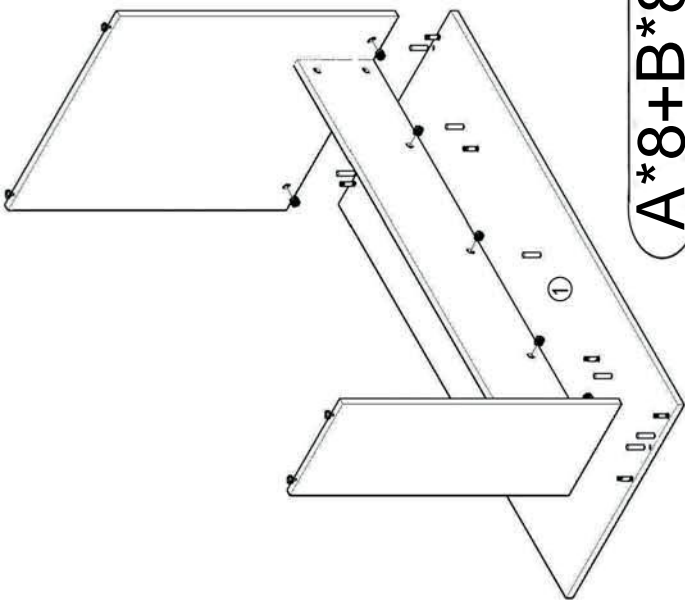


1



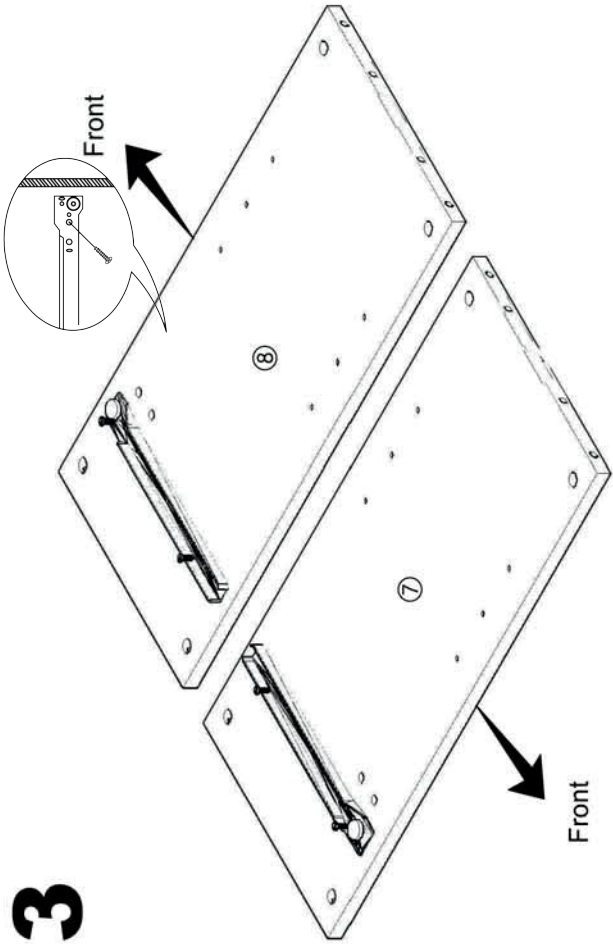
$A*4+B*2$

2



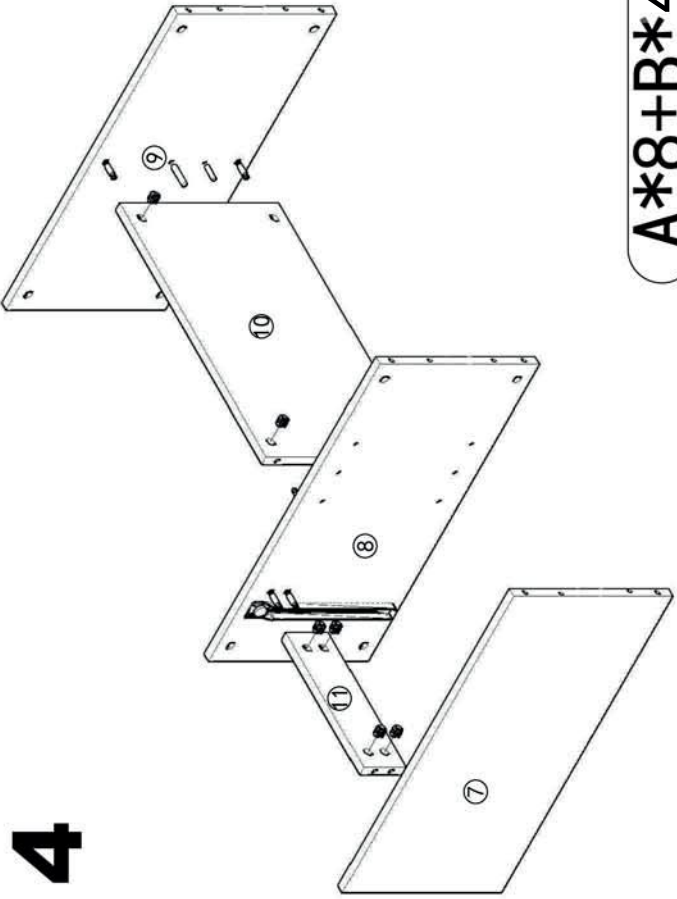
$A*8+B*8+H2*4$

3

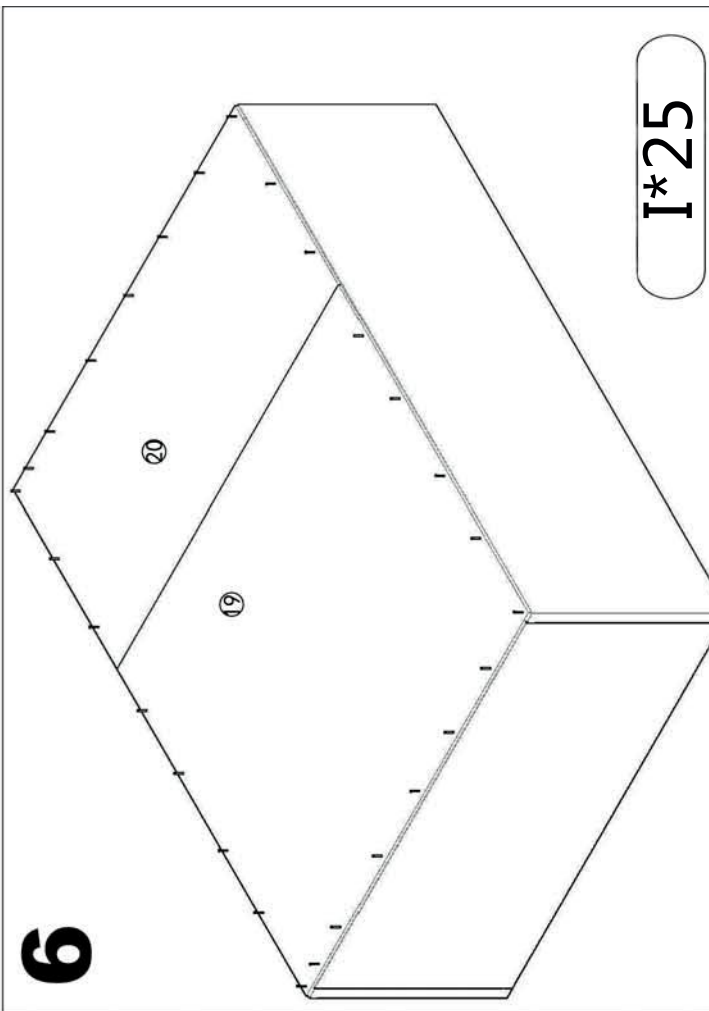


$D*4+J1*1$

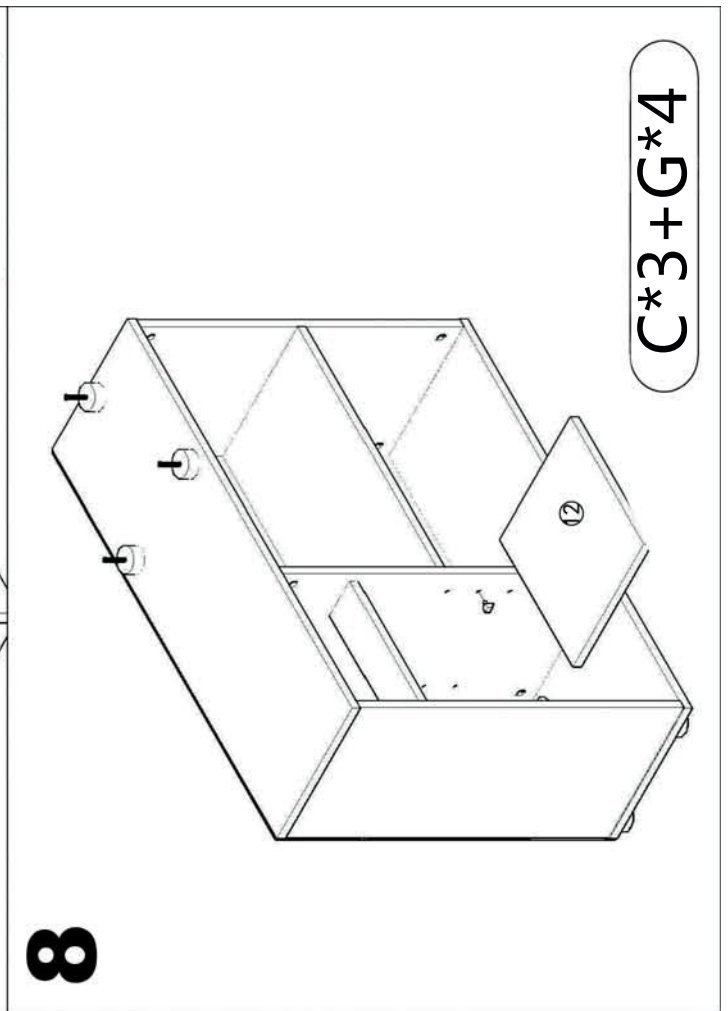
4



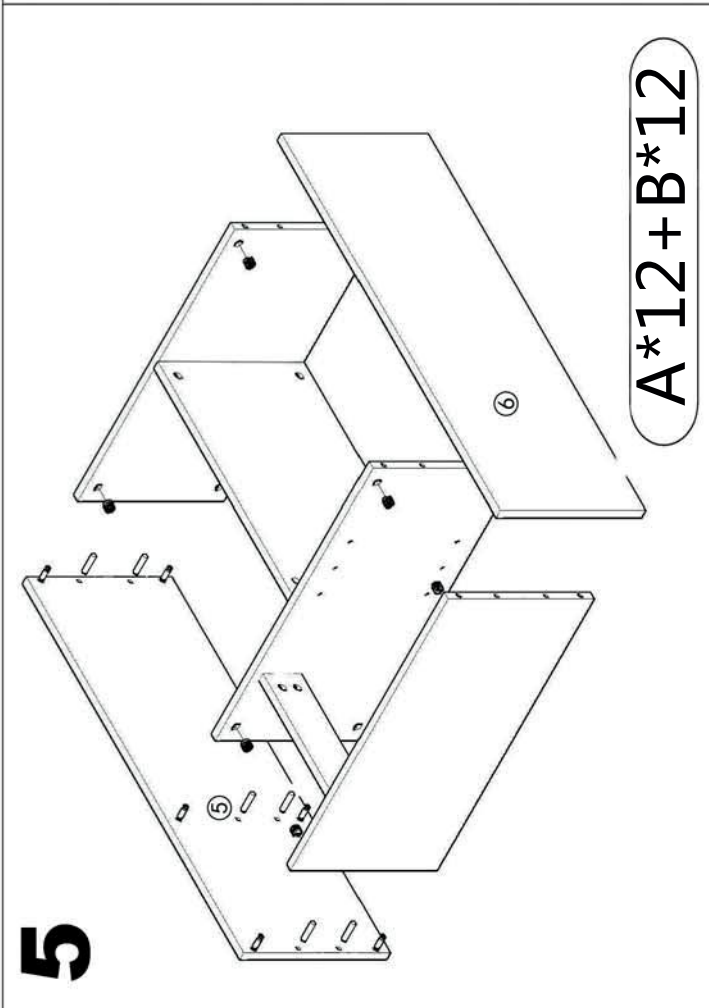
$A*8+B*4$



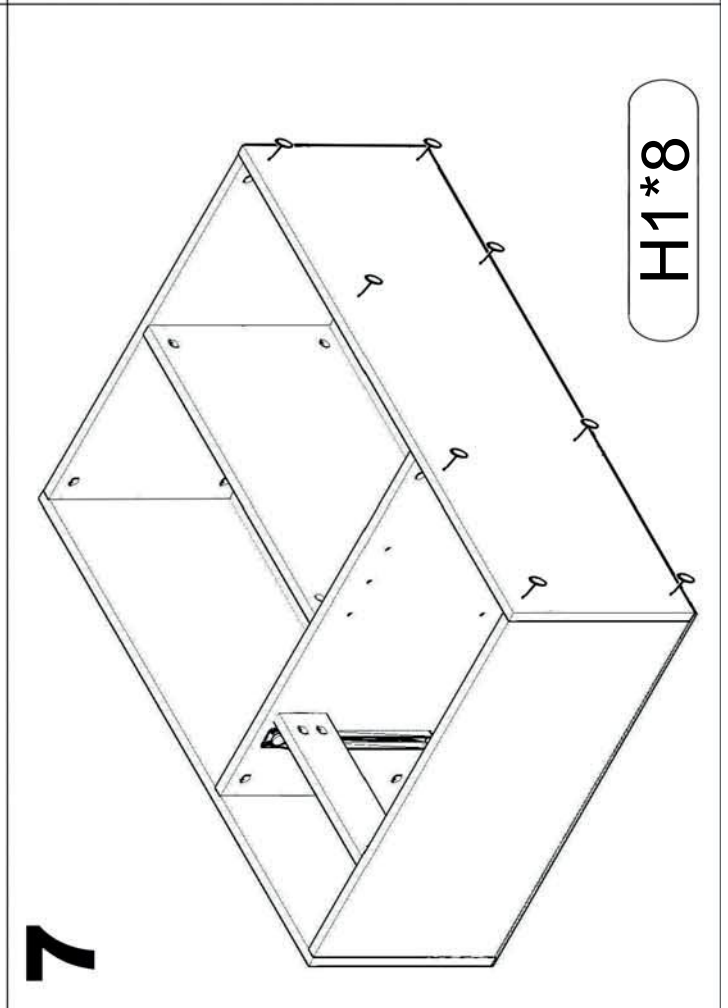
I*25



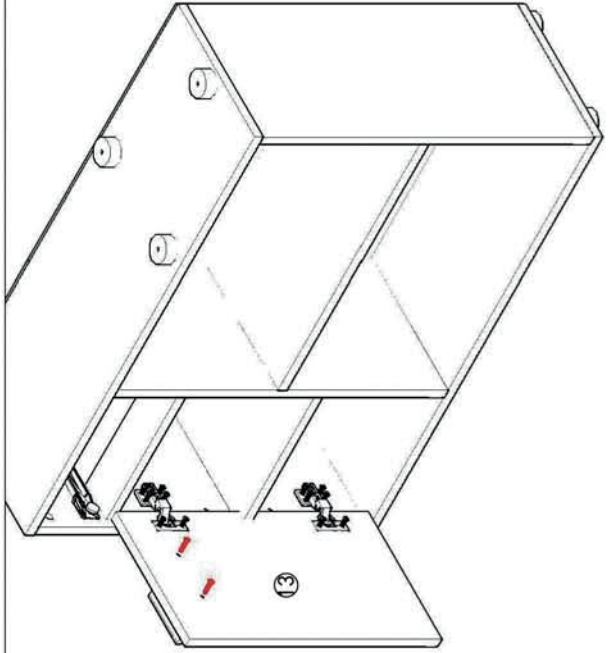
C*3+G*4



A*12+B*12

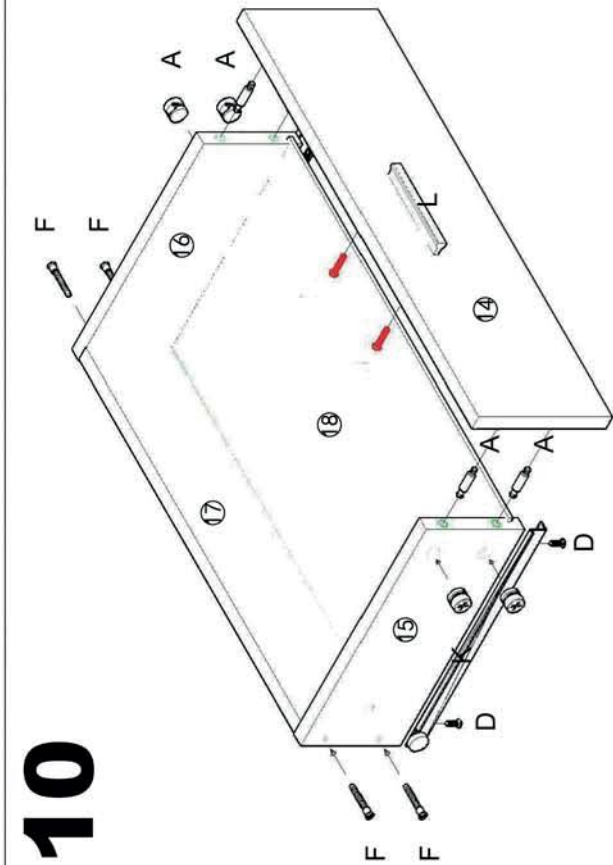


H1*8



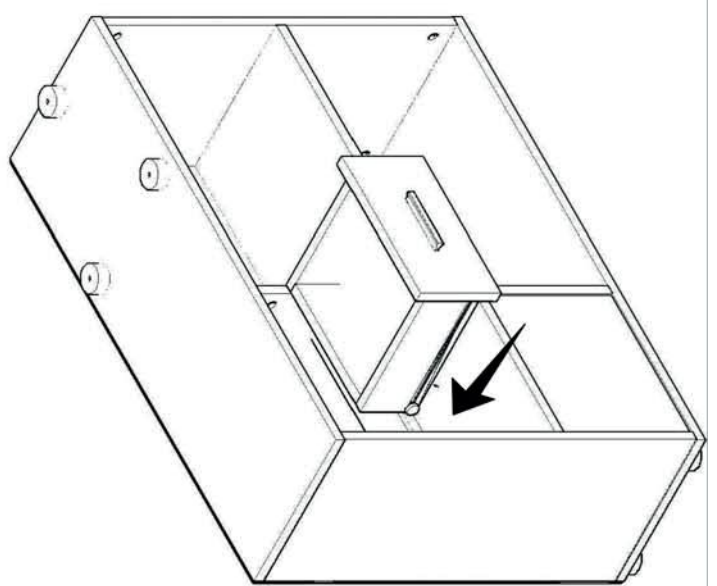
9

$D*12+L*1+N*2$

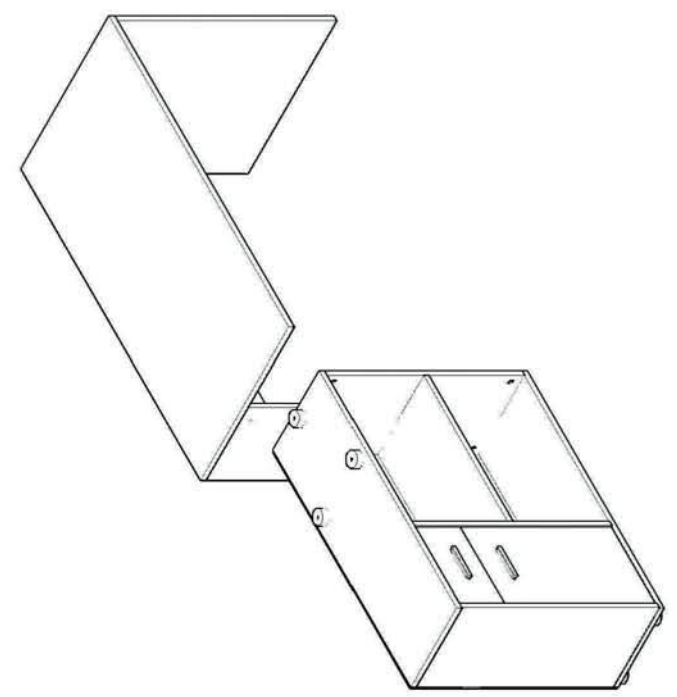


10

$A*4+D*4+F*4+K*1+L*1$



11



12