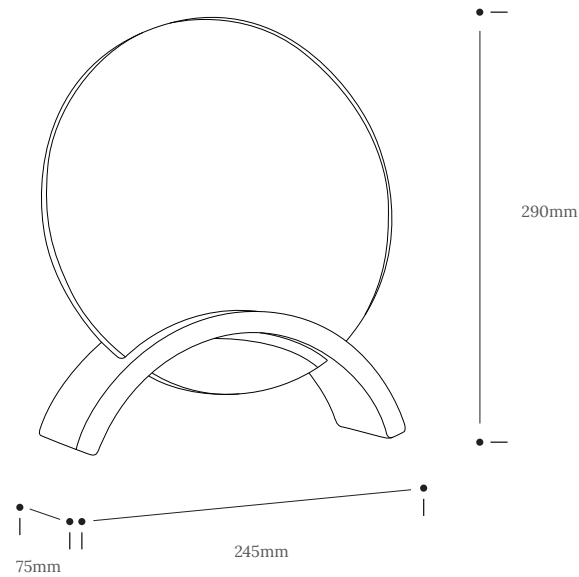


TILNER MIRROR

Product Specification

Tom Raffield


Tilner Mirror



A sleek crescent of steam bent oak shoulders a striking rounded mirror. Effortlessly elegant, the free standing Tilner Mirror is a minimalistic design worthy of reflection.

Inspired by the swooping bend of a flexing bow and arrow, the arching wooden base of the Tilner features a nestled, gently curving round mirror guaranteed to create the illusion of space in any setting. Showcasing confident, bold curves of sustainably sourced oak, the Tilner Mirror is a portable, versatile piece designed for smaller spaces.

Celebrate natural beauty.

Product Type : Accessories	SKU	Wood types	Dimensions L x W x H (mm)		Weight (kg)	
			Unboxed	Boxed	Unboxed	Boxed
Tilner Mirror	TR-TLN-F-O	Oak	245 x 75 x 290	500 x 300 x 160	0.884	1.424
Materials	Oak				Other materials	
					Glass Mirror	
Finish	Finished with a blend of natural wax oils to give a protective, hardwearing and beautiful finish.					
Care information	<ul style="list-style-type: none"> Finish: The blend of natural oils can take up to four weeks to harden fully. Because of this, particular care should be taken in the first few weeks after delivery before cleaning, see below. Care: Solid wood may expand and shrink with differences in temperature and humidity so take care not to place your furniture directly next to anywhere with excessive changes in temperature such as radiators and windows. Cleaning: To clean on a regular basis wipe the surface with a damp cloth before removing any moisture with a dry cloth. Wipe off anything that will stain straight away, eg red wine, balsamic vinegar, oil, tea, coffee, alcohol, etc. In the event of severe spillages and stains the surface can be lightly re-sanded and re-oiled - please talk to us or a professional furniture restorer before doing so. 					
Additional information	<ul style="list-style-type: none"> Product care instructions included. 					