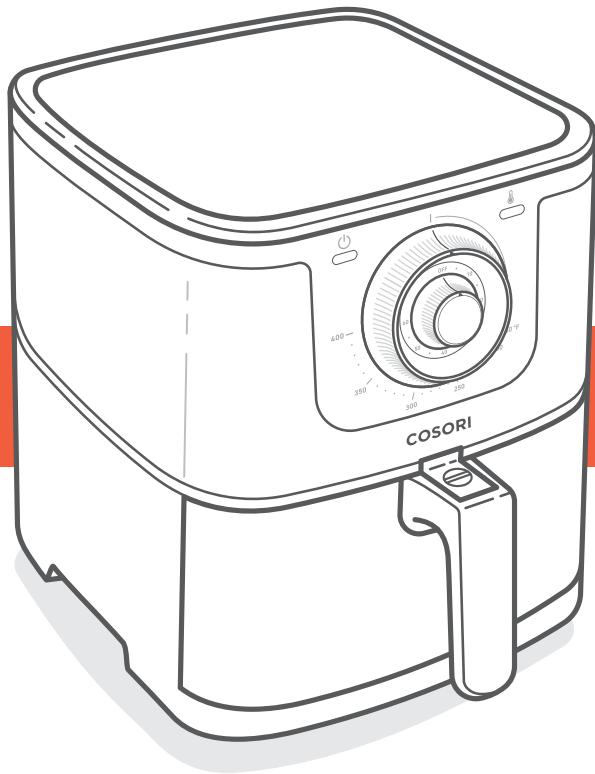


COSORI

User Manual

Original 3.7-Quart Air Fryer

Mode: CO137-AF



EN

Questions or Concerns?

Mon-Fri, 9:00 am-5:00 pm PST/PDT
support@cosori.com | (888) 402-1684



(We hope you love your new air fryer as much as we do.)



join

the Cosori Cooks Community on Facebook
facebook.com/groups/cosoricooks



explore

our recipe gallery
www.cosori.com/recipes



enjoy

weekly, featured recipes
made exclusively by our in-house chefs



CONTACT OUR CHEFS

Our helpful, in-house chefs are ready to assist you with any questions you might have!

Email: recipes@cosori.com

Toll-Free: (888) 402-1684

M–F, 9:00 am–5:00 pm PST/PDT

On behalf of all of us at Cosori,

Happy cooking!

Table of Contents

Package Contents	3
Specifications	3
Important Safeguards	4
Getting to Know Your Air Fryer	6
Before First Use	7
• Setting Up	7
• Test Run	8
• Basket Tips	8
Using Your Air Fryer	9
• Preheating	9
• Air Frying	9
• Shaking Food	10
• Cooking Guide	11
Care & Maintenance	13
Accessories	13
Troubleshooting	14
Warranty Information	15
Customer Support	16

Package Contents

- 1 x Original 3.7-Quart Air Fryer
- 1 x Quick Reference Guide
- 1 x Recipe Book
- 1 x User Manual

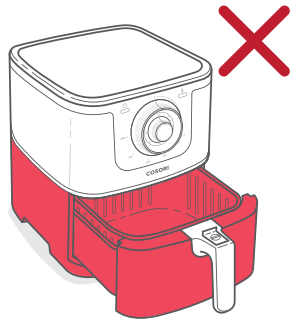
Specifications

Power Supply	AC 120V, 60Hz
Rated Power	1500W
Capacity	3.7 qt / 3.5 L (serves 2–3 people)
Temperature Range	180°–400°F / 80°–205°C
Time Range	1–60 min
Dimensions	12.2 x 11 x 11 in / 31 x 28 x 28 cm
Weight	10.4 lb / 4.7 kg

IMPORTANT SAFEGUARDS

Follow basic safety precautions when using your air fryer. Read all instructions.

Key Safety Points

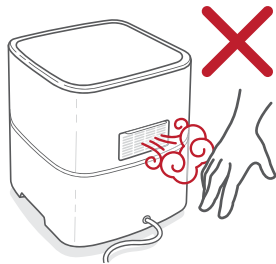


Do not touch hot surfaces.



Only press the basket release button with the baskets resting flat on any level, heat-resistant surface.

The handle is attached to the inner basket, not the outer basket. When you press the basket release button, the outer basket will **drop**.



Do not block any ventilation openings. Hot steam is released through openings. Keep your hands and face clear of openings.

General Safety

- **Do not** immerse the air fryer housing or plug in water or liquids.
- Closely supervise children near your air fryer.
- Unplug when not in use, and before cleaning. Allow to cool before putting on or taking off parts.
- **Do not** use your air fryer if it is damaged, not working, or if the cord or plug is damaged. Contact **Customer Support** (see page 16).
- **Do not** use third-party replacement parts or accessories, as this may cause injuries.
- **Do not** use outdoors.
- **Do not** place the air fryer or any of its parts on a stove, near gas or electric burners, or in a heated oven.
- Be extremely cautious when moving your air fryer (or removing the baskets) if it contains hot oil or other hot liquids.
- **Do not** clean with metal scouring pads. Metal fragments can break off the pad and touch electrical parts, creating a risk of electric shock.
- **Do not** place anything on top of your air fryer. **Do not** store anything inside your air fryer.
- **Only** use your air fryer as directed in this manual.
- Not for commercial use. Household use **only**.

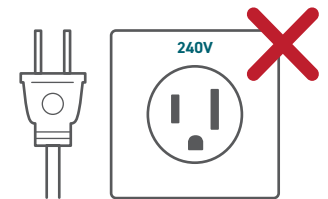
While Air Frying

- An air fryer works with hot air only. **Never** fill the baskets with oil or fat.
- **Never** use your air fryer without the baskets in place.
- **Do not** place oversized foods or metal utensils into your air fryer.
- **Do not** place paper, cardboard, non-heat-resistant plastic, or similar materials, into your air fryer. You may use parchment paper or foil.
- **Never** put baking or parchment paper into the air fryer without food on top. Air circulation can cause paper to lift and touch heating coils.
- **Always** use heat-safe containers. Be extremely cautious if using containers that aren't metal or glass.

- Keep your air fryer away from flammable materials (curtains, tablecloth, etc). Use on a flat, stable, heat-resistant surface away from heat sources or liquids.
- Immediately turn off and unplug your air fryer if you see dark smoke coming out. Food is burning. Wait for smoke to clear before pulling the baskets out.
- **Do not** leave your air fryer unattended while in use.

Plug and Cord

- Your fryer has a polarized plug (one prong is wider than the other), which fits into a polarized outlet only one way. If the plug does not fit, reverse the plug. If it still does not fit, **do not** use the plug in that outlet. **Do not** alter the plug in any way.
- **Do not** let the power cord (or any extension cord) hang over the edge of a table or counter, or touch hot surfaces.
- Your air fryer should **only** be used with **120V, 60Hz** electrical systems. **Do not** plug into another type of outlet.



Note: This fryer uses a short power-supply cord to reduce the risk of entangling or tripping. Use extension cords with care. The marked electrical rating of the extension cord must be as great as the rating of the fryer (see page 3).

Electromagnetic Fields (EMF)

The Cosori Air Fryer complies with all standards regarding electromagnetic fields (EMF). If handled properly and according to the instructions in this user manual, the appliance is safe to use based on scientific evidence currently available.

SAVE THESE INSTRUCTIONS

GETTING TO KNOW YOUR AIR FRYER

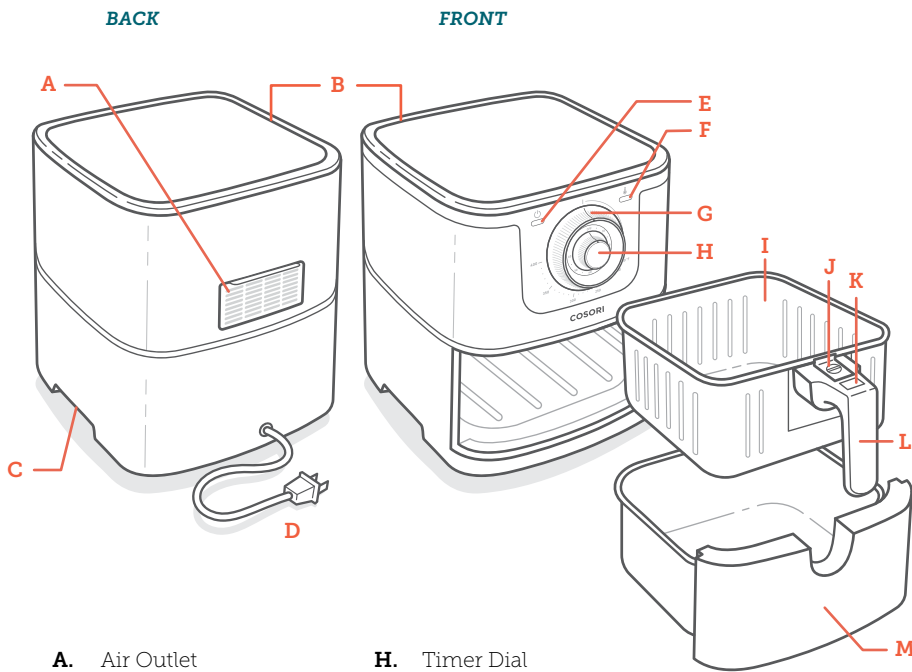
Your Cosori Air Fryer uses rapid 360° air circulation technology to cook with little-to-no oil, for quick, crispy, delicious food with up to 85% fewer calories than deep fryers. With simple dials, nonstick baskets, and an intuitive, safe design, the Cosori Air Fryer is the star of your kitchen.

Note:

- **Do not** try to open the top of the air fryer. It is not a lid.
- The baskets are made of aluminum metal with nonstick coating. They are PFOA-free and BPA-free.



Air Fryer Diagram



- | | |
|---------------------------------|---------------------------------|
| A. Air Outlet | H. Timer Dial |
| B. Air Inlet | I. Inner Basket |
| C. Housing Handles | J. Sliding Button Guard |
| D. Power Cord | K. Basket Release Button |
| E. Power Indicator | L. Basket Handle |
| F. Temperature Indicator | M. Outer Basket |
| G. Temperature Dial | |

BEFORE FIRST USE

Setting Up

1. Remove all packaging from the air fryer, including any temporary stickers.
2. Place the air fryer on a stable, level, heat-resistant surface. Keep away from areas that can be damaged by steam (such as walls or cupboards).

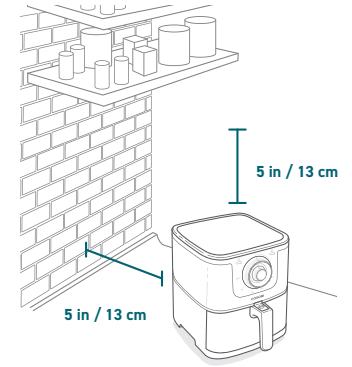


Figure 1.1

Note: Leave 5 in / 13 cm of space behind and above the air fryer. [Figure 1.1] Leave enough room to remove the baskets.

3. Pull the handle to remove the baskets. Remove all plastic from the baskets.
4. Press the basket release button to separate the inner basket from the outer basket. [Figure 1.2–1.3]
5. Wash both baskets thoroughly, using either a dishwasher or a non-abrasive sponge.
6. Wipe the inside and outside of the air fryer with a slightly moist cloth. Dry with a towel.
7. Put the baskets back inside the air fryer.

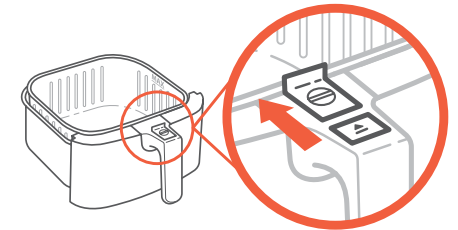


Figure 1.2

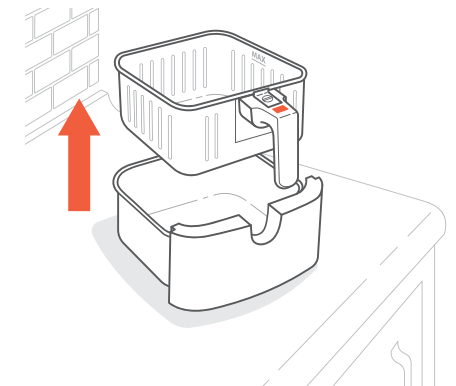


Figure 1.3

BEFORE FIRST USE (CONT.)

Test Run

A test run will help you become familiar with your air fryer, make sure it's working correctly, and clean it of possible residues in the process.

1. Make sure the air fryer baskets are empty and plug in the air fryer.
2. Turn the temperature dial to 400°F / 205°C.
3. Turn the timer dial past the 10 minute mark until the power indicator turns on. The power indicator and temperature indicator will turn on, indicating the air fryer is heating up. Then, turn it back to 5 minutes to begin preheating.
4. When the air fryer has finished preheating, the temperature indicator will turn off.
5. Pull out the baskets and let them cool for 5 minutes. Then, place the empty baskets back in the air fryer.
6. Make sure the temperature dial is set to 400°F / 205°C.
7. Turn the timer dial past the 10 minute mark until the power indicator turns on. Then, turn it back to 5 minutes. The air fryer will start automatically.
8. The air fryer will chime when finished. Pull out the baskets and let them cool completely for 10–30 minutes.

Basket Tips

- Separate baskets **only** to clean or after cooking.
- The button guard protects the basket release button from being pressed accidentally. Slide the button guard forward to press the basket release button.
- **Never** press the basket release button while carrying the baskets.
- **Only** press the basket release button with the baskets resting on a counter (or any level, heat-resistant surface).
- The handle is attached to the inner basket, not the outer basket. When you press the basket release button, the outer basket will drop.

Note:

- **Do not** unscrew the basket handle from the baskets.
- To order accessories, please contact **Customer Support** (see page 16).

USING YOUR AIR FRYER

Preheating

We recommend preheating for 5 minutes before placing food inside the air fryer, unless your air fryer is already hot. Food will not cook thoroughly without preheating.

1. Plug in.
2. Turn the temperature dial to at least 180°F / 80°C.
3. Turn the timer dial past the 10 minute mark until the power indicator turns on. The power indicator and temperature indicator will turn on, indicating the air fryer is heating up. Then, turn it back to 5 minutes to begin preheating.
4. Once the temperature indicator turns off, the air fryer has finished preheating.

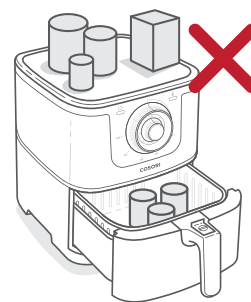


Figure 2.1

Air Frying

Note:

- **Do not** place anything on top of your air fryer. This disrupts airflow and causes poor air frying results. [Figure 2.1]
- An air fryer is not a deep fryer. **Do not** fill the baskets with oil, frying fat, or any liquid.
- When taking the baskets out of the air fryer, be careful of hot steam, and **do not** press the basket release button.

1. Preheat your air fryer (see page 9).
2. When the temperature light turns off, add food to the baskets.
3. Turn the temperature dial to set the temperature.
4. Turn the timer dial to set the time. The air fryer will start automatically.

Note:

- If you need to set the time for less than 10 minutes, first turn the timer dial past 10 minutes. Then turn to the desired time.
- Shake food halfway through cooking to make sure your food cooks evenly.
- The timer will continue counting down even if the baskets are taken out.
- You may adjust the time and temperature anytime during cooking.

5. The air fryer will chime when finished.
6. Take the baskets out of the air fryer, being careful of hot steam.

Air Frying (cont.)

- Remove inner basket from outer basket to serve food. When separating baskets:
 - Make sure the baskets are resting on a flat surface.
 - Watch for hot oil or fat collected in the outer basket. [Figure 2.2] To avoid splashing, drain oil before replacing inner basket.
- Allow to cool before cleaning.

Automatic Shutoff

The air fryer will automatically shut off when the timer is complete.

Note: To shut off the air fryer manually, turn the timer dial counterclockwise to 0.

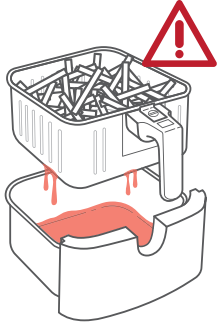


Figure 2.2

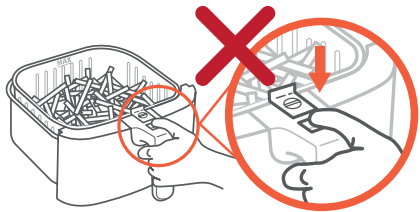


Figure 3.1

Shaking Food

How to Shake

During cooking, take the baskets out of the air fryer and shake, mix, or flip the food.

- To shake food:
 - For safety purposes, hold the baskets just above a heat-resistant surface. **Do not** press the basket release button. [Figure 3.1]
 - Shake the baskets.
- If the baskets are too heavy to shake:
 - Place the baskets on a heat-resistant holder or surface.
 - Separate the baskets. Make sure no liquids are dripping from the inner basket.
 - Carefully shake the inner basket.

Note: Do not use this method if there is a risk of hot liquids splashing.

- If the baskets are too heavy to shake and there are hot liquids present:
 - Place the baskets on a heat-resistant holder or surface.
 - Use tongs to mix or flip the food.

Note:

- When you take the baskets out, the air fryer will pause heating.
- When you replace the baskets, heating will automatically resume.
- Avoid shaking longer than 30 seconds, as the air fryer may start to cool down.
- The timer will continue counting down even when the baskets are taken out.

What to Shake

- Small foods that are stacked will usually need shaking, such as fries or nuggets.
- Without shaking, foods may not be crispy or evenly cooked.
- You can flip other foods, such as steak, to ensure even browning.

When to Shake

- Shake or flip food once halfway through cooking, or more if desired.

Cooking Guide

Over-Filling

- If the basket is overfilled, food will not cook evenly. [Figure 3.2]
- Food should not be filled over the "MAX" line of the inner basket. [Figure 3.3] **Do not** pack in food.



Figure 3.2

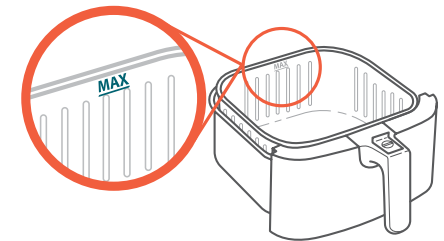


Figure 3.3

Using Oil

- Adding a small amount of oil to your food will make it crispier. Use no more than 2 US tbs / 30 mL of oil.
- Oil sprays are excellent for applying small amounts of oil evenly to all food items.

Cooking Guide (cont.)

French Fries

- Add ½–1 US tbsp / 8–15 mL of oil for crispiness.
- When making fries from raw potatoes, soak uncooked fries in water for 15 minutes to remove starch prior to frying. Pat dry with a towel before adding oil.
- Cut uncooked fries smaller for crispier results. Try cutting fries into ¼-inch by 3-inch / 0.6-cm by 7.6-cm strips.

Food Tips

- You can air fry any frozen foods or goods that can be baked in an oven.
- To make cakes, hand pies, or any food with filling or batter, place food in a heat-safe container before placing in the baskets.
- Air frying high-fat foods will cause fat to drip to the bottom of the baskets. To avoid excess smoke while cooking, pour out fat drippings after cooking.
- Liquid-marinated foods create splatter and excess smoke. Pat these foods dry before air frying.

Note: For more from the Cosori Kitchen, check out our Recipe Book and Tips from the Chef.

CARE & MAINTENANCE

Note:

- **Always** clean the air fryer baskets and interior after every use.
- Lining the outer basket with foil may make cleanup easier.

1. Turn off and unplug the air fryer. Allow it to cool completely before cleaning. Pull out the baskets for faster cooling.
2. Wipe the outside of the air fryer with a moist cloth, if necessary.
3. The baskets are dishwasher safe. You can also wash the baskets with hot, soapy water and a non-abrasive sponge. Soak if necessary.

Note: Baskets have a non-stick coating. Avoid metal utensils and abrasive cleaning materials.

4. For stubborn grease:
 - a. In a small bowl, mix ½ cup / 118 mL of baking soda and a few tablespoons of water (1 US tbsp = 15 mL) to form a spreadable paste.
 - b. Use a sponge to spread the paste on the baskets and scrub. Let the baskets sit for 15 minutes before rinsing.

- c. Wash baskets with soap and water before using.

5. Clean the inside of the air fryer with a slightly moist, non-abrasive sponge or cloth. **Do not** immerse in water. [Figure 4.1] Clean the heating coil, if needed, to remove food debris.
6. Dry before using.

Note: Make sure that the heating coil is dry before turning on the air fryer.

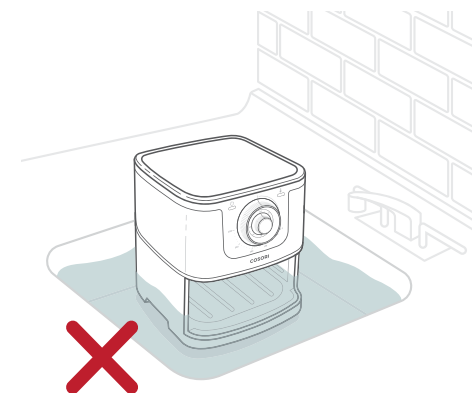


Figure 4.1

ACCESSORIES

You can purchase accessories for your air fryer from **cosori.com** by scanning the QR code.



TROUBLESHOOTING

Problem	Possible Solution
The air fryer will not turn on.	Make sure the air fryer is plugged in.
	Push the baskets securely into the air fryer.
Foods are not completely cooked.	Place smaller batches of ingredients into the inner basket. If the basket is overstuffed, then ingredients will be undercooked.
	Increase cooking temperature or time.
Foods are cooked unevenly.	Ingredients that are stacked on top of each other or close to each other need to be shaken or flipped during cooking (see Shaking Food , page 10).
Foods are not crispy after air frying.	Spraying or brushing a small amount of oil on foods can increase crispiness (see Cooking Guide , page 11).
French fries are not cooked correctly.	See French Fries , page 12.
Baskets will not slide into the air fryer securely.	Make sure the basket is not overfilled with food.
	Make sure the inner basket is securely inside the outer basket.
White smoke is coming out of the air fryer.	The air fryer may produce some white smoke when you use it for the first time. This is normal.
	Make sure the baskets and the inside of the air fryer are cleaned properly and not greasy.
	Cooking greasy foods will cause oil to leak into the outer basket. This oil will produce white smoke, and the baskets may be hotter than usual. This is normal, and should not affect cooking. Handle baskets with care.
Dark smoke is coming out of the air fryer.	Immediately unplug your air fryer. Food is burning. Wait for smoke to clear before pulling the baskets out.
The air fryer has a plastic smell.	Any air fryer may have a plastic smell from the manufacturing process. This is normal. Follow the instructions for a Test Run (page 8) to get rid of the plastic smell. If a plastic smell is still present, please contact Customer Support (see page 16).

If your problem is not listed, please contact **Customer Support** (see page 16).

WARRANTY INFORMATION

Product	Original 3.7-Quart Air Fryer
Model	CO137-AF
Default Warranty Period	1 year
<i>For your own reference, we strongly recommend that you record your order ID and date of purchase.</i>	
Date of Purchase	
Order ID	

TERMS & POLICY

Arovast Corporation warrants all products to be of the highest quality in material, craftsmanship, and service, effective from the date of purchase to the end of the warranty period.

Arovast Corporation will replace any product found to be defective due to manufacturer flaws based on eligibility. Refunds are available within the first 30 days of purchase. Refunds are only available to the original purchaser of the product. This warranty extends only to personal use and does not extend to any product that has been used for commercial, rental, or any other use in which the product is not intended for. There are no warranties other than the warranties expressly set forth with each product.

This warranty is non-transferrable. Arovast Corporation is not responsible in any way for any damages, losses, or inconveniences caused by equipment failure or by user negligence, abuse, or use noncompliant with the user manual or any additional safety or use warnings included in the product packaging and manual.

This warranty does not apply to the following:

- Damage due to abuse, accident, alteration, misuse, tampering, or vandalism.
- Improper or inadequate maintenance.
- Damage in return transit.
- Unsupervised use by children under 18 years of age.

Arovast Corporation and its subsidiaries assume no liability for damage caused by the use of the product other than for its intended use or as instructed in the user manual. Some states do not allow this exclusion or limitation of incidental or consequential losses so the foregoing disclaimer may not apply to you. This warranty gives you specific legal rights and you may also have other rights which may vary from state to state.

ALL EXPRESSED AND IMPLIED WARRANTIES, INCLUDING THE WARRANTY OF MERCHANTABILITY, ARE LIMITED TO THE PERIOD OF THE LIMITED WARRANTY.

Additional 1-Year Warranty

You can extend your 1-year warranty by an additional year. Log onto www.cosori.com/warranty to register your new product for the extended warranty.

Please fill out all required fields and include your order ID, place of purchase, and purchase date, if applicable.

WARRANTY INFORMATION (CONT.)

Defective Products & Returns

If you discover your product is defective within the specified warranty period, please contact Customer Support via support@cosori.com with a copy of your invoice and order ID. **DO NOT** dispose of your product before contacting us. Once our Customer Support Team has approved your request, please return the product with a copy of the invoice and order ID.

CUSTOMER SUPPORT

We're Here to Help!

If you have any questions or concerns about your new product, please contact our helpful Customer Support Team.

Customer Support

Arovast Corporation

1202 N. Miller St., Suite A
Anaheim, CA 92806

Email: support@cosori.com

Toll-Free: (888) 402-1684

*Please have your invoice and order ID ready before contacting Customer Support.

Support Hours

Monday–Friday
9:00 am–5:00 pm PST/PDT

SHOW US WHAT YOU'RE MAKING

We hope this manual has been helpful. We can't wait to see your beautiful results, and we think you'll want to share glam shots! Our community awaits your uploads—just pick your platform of choice below. Snap, tag, and hashtag away, Cosori chef!

#iCookCosori



@cosoricooks



Cosori Appliances

Considering what to cook? Many recipe ideas are available, both from us and the Cosori community.

MORE COSORI PRODUCTS

If you're happy with this air fryer, the line doesn't stop here. Check out www.cosori.com for a line of all our beautiful and thoughtfully designed cookware. They might be right at home in your kitchen, too!

COSORI

Questions or Concerns?

Mon–Fri, 9:00 am–5:00 pm PST/PDT
support@cosori.com | (888) 402-1684

AU0120GY-M1_0120CO137-AF