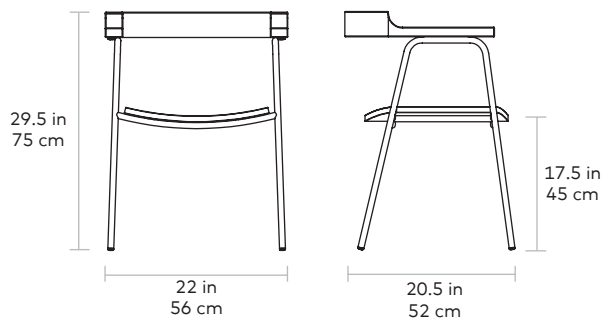


# Principal Chair



**FINISH** > Solid Ash  
**FRAME** > Powder Coated Steel

The Principal Chair brings an element of sculptural simplicity to any space. The solid wood back, bent plywood seat and tubular steel frame create a natural harmony of texture and form that highlight the chair's design and craftsmanship. Principal's clean lines and slender contours are a perfect match for the Branch Shelving System desk unit.

To see all finish options visit  
[GUSMODERN.COM](http://GUSMODERN.COM)