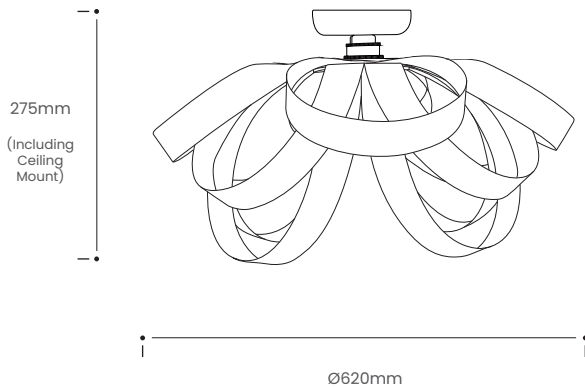


SKIPPER FLUSH CEILING LIGHT

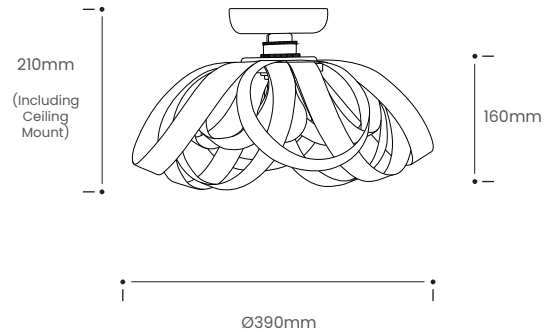
Tom Raffield

Product Specification


Skipper Flush Ceiling Light



Skipper Small Flush Ceiling Light



Scandinavian design principles and our sought-after aesthetic, merged. Sustainably sourced ash, oak or walnut wood is hand-shaped by our skilled workshop team to create a flush fitting, ceiling mounted shade that illuminates space with a bright, bold contrast of light and shadow. Suited to smaller rooms with low ceilings, the Skipper Flush Ceiling Light brings atmosphere in abundance - without taking up too much space.

Product Type : Flush Ceiling Light	SKU	Wood types	Dimensions L x W x H (mm)		Weight (kg)	
			Unboxed	Boxed	Unboxed	Boxed
Skipper Flush Ceiling Light	TR-SKIP-FL-A	Ash	Ø620 x 225 Ø620 x 275 with mount	610 x 610 x 390	0.5	3
	TR-SKIP-FL-O	Oak				
	TR-SKIP-FL-W	Walnut				
Skipper Small Flush Ceiling Light	TR-SKIP-FL-A-SML	Ash	Ø390 x 160 Ø390 x 210 with mount	470 x 470 x 330	0.2	2.5
	TR-SKIP-FL-O-SML	Oak				
	TR-SKIP-FL-W-SML	Walnut				
Materials	Ash	Oak	Walnut	Other materials		
				Birch ply frame		
Finish	Non-toxic, hard wearing water based varnish - satin					
Ceiling kit options	Brushed steel rose and bulb holder 	Ceiling kit	Flex		Recommended light bulb	
		Ceiling rose: Ø100mm	-		Max 25W LED	
		E27 (240v)	-			
Care information	Dusting your light regularly and with a light feather duster should keep your light looking clean, otherwise wipe with a damp cloth and remove any moisture with a dry cloth. Gentle furniture polishes can also be used.					
Additional information	Installation instructions included.					

Tom Raffield Ltd, F3 Church View Business Park, Bickland Water Rd, Falmouth TR11 4FZ, UK

tomraffield.com contact@tomraffield.com +44 (0) 1326 722725 #tomraffield @tomraffield

Due to the character of handcrafted natural products, all dimensions are approximate. Wood colour may slightly vary.

All products, prices and leadtimes are correct at time of print and are subject to change without notice.