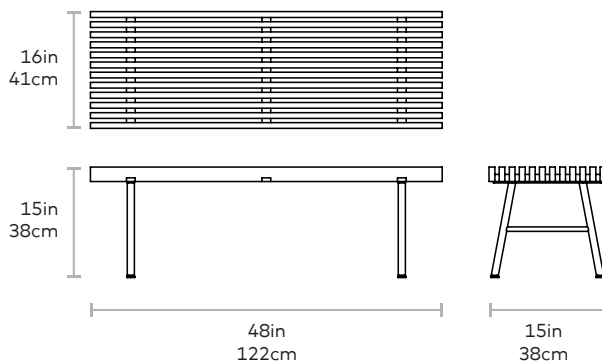


Transit Bench



WOOD > FSC-Certified Solid Ash
BASE > Powder Coated Steel

The Transit Bench is a versatile design that can be used as seating for tight spots like entryways and bedrooms, or as a coffee table. The surface, which creates a pleasing, elemental pattern, is constructed with solid wood pieces that are joined precisely in parallel to create a design that is both sturdy and lightweight. The legs are splayed slightly for stability, and are made with powder-coated, tubular steel. Available in natural ash with white legs, or black ash with black legs. All wood is 100% FSC-Certified in support of responsible forest management.

To see all finish options visit
GUSMODERN.COM



THIS PRODUCT IS MANUFACTURED WITH FSC-CERTIFIED WOOD