

# Mix Modular Block Table

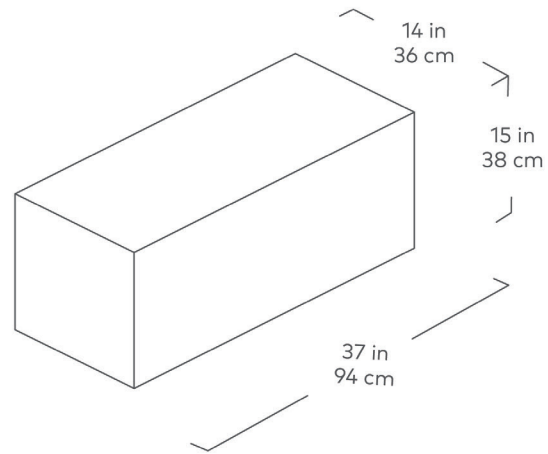


Walnut

The Mix Modular Block Table is an architectural wood component that is designed to customize the look of your Mix upholstery configuration. This versatile accent is a perfect resting spot for drinks, books, or handheld devices and can also be used as a standalone bench, accent or coffee table. Both ends of the Mix Block Table feature a unique, end grain grid pattern that adds visual graphic appeal.

Design Trade Professionals: We aim to keep our designs in stock and ready to ship quickly for projects on a tight timeline. Designs may be customized with COM and alternate finishes (minimum quantities may apply). Visit [gusmodern.com](https://gusmodern.com) for more information about our Trade & Contract programs.

# Mix Modular Block Table



- Thick real wood veneer applied to engineered panels for stability and reduced weight.
- Includes concealed connector to securely join with other Mix Modular components.
- Bumpers on bottom, to protect hardwood floors.
- Wood is a natural material, with variations in grain pattern and colour that make each design unique.