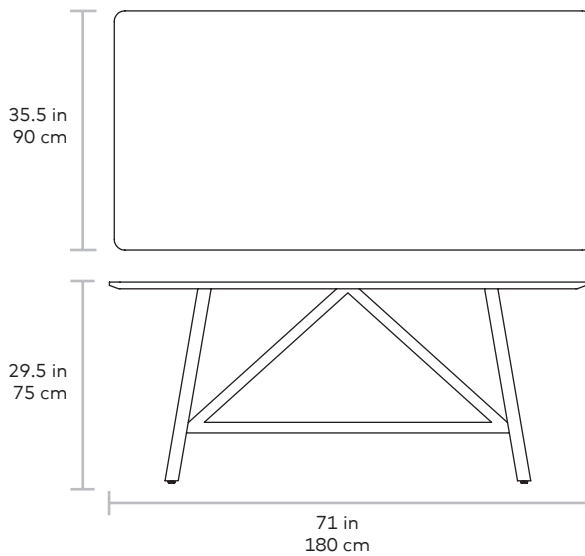


Wychwood Dining Table

Gus*



FINISH > Black Ash or Walnut

BASE > Powder Coated Steel



The Wychwood Dining Table is a contemporary, industrial-influenced design that features an architectural, truss-style base. Able to seat up to six, the Wychwood is made for everyday dining, with durable, powder-coated steel legs, and a water-based clear-coat finish on the tabletop.

To see all finish options visit
GUSMODERN.COM