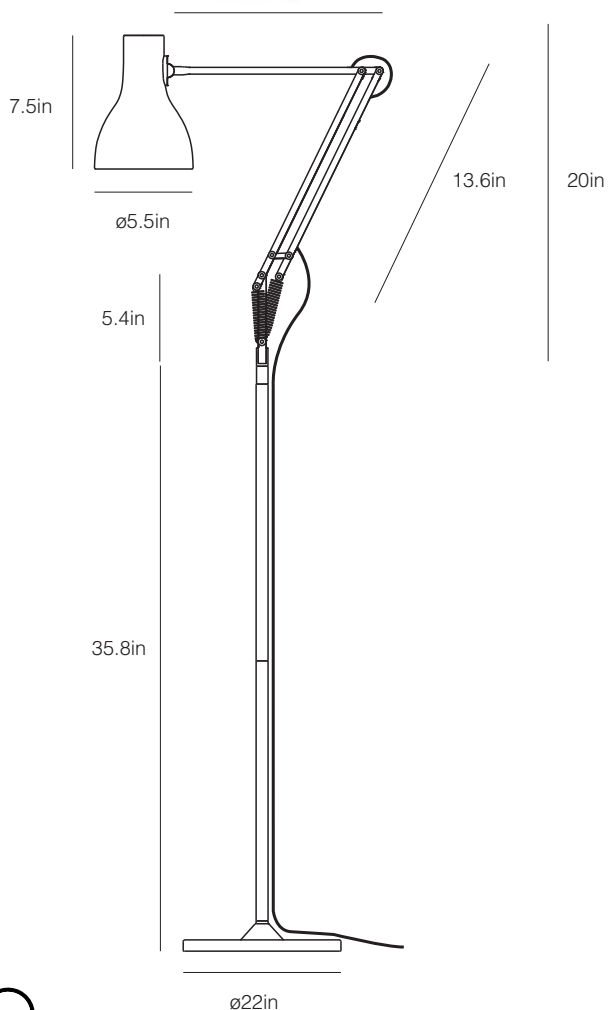


Type 75™ Floor Lamp

Type 75™ Collection | Technical Sheet

ANGLEPOISE®

Launched In 2004 | Designed by Sir Kenneth Grange



Product

Floor Lamp - Jet Black
Floor Lamp - Alpine White
Floor Lamp - Slate Grey
Floor Lamp - Silver Luster

Description

You'll find our Type 75™ floor lamp makes the perfect reading light. It combines all the high quality fittings and features you have come to expect from an Anglepoise® with elegant, classic looks, flowing movement and full adjustability.

Materials

- Matte paint or brushed aluminum finish
- Aluminum shade
- Aluminum arms
- Chrome plated fittings
- Cast iron base with aluminum cover
- Anglepoise® constant tension spring technology

Dimensions

- Shade diameter: ø5.5in
- Shade height: 7.7in
- Max reach: 26in (from base to shade)
- Base diameter: ø9.8in
- Pole height: 35.8in
- Cable length: 106.3in
- Lamp packaging (L x W x H): 12.4in x 6.7in x 20.1in
- Lamp packaged weight: 12.9lbs
- Pole Packaging (L x W x H): 17.5in x 11.8in x 3.7in
- Pole Packaged Weight: 9.3lbs

Electrical

- Voltage: 110/120V, 50/60 Hz
- cUL certified
- E26 lamp holder
- Note: Bulb weight critical for balance. Approximate bulb weight 25-60g
- Integrated shade switch
- Plug: 2-blade US plug to NEMA 1-15
- Maximum permitted bulb: 15W
- Supplied with a compatible E26 CFL or LED bulb:
 - 13W CFL:
 - Luminous Intensity: 900lm
 - Life: 10,000 Hours
 - Non-dimmable
 - Color Temperature: 2700K
 - CRI (Ra): 80
 - 6.5W LED:
 - Luminous Intensity: 600lm
 - Life: 15,000 Hours
 - Non-dimmable
 - Color Temperature: 3000K
 - CRI (Ra): ≥ 80



Bulb
included