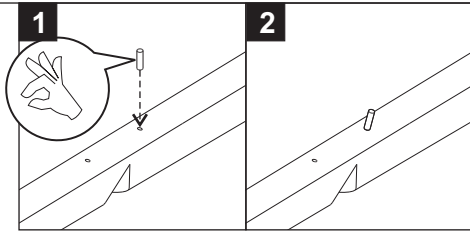


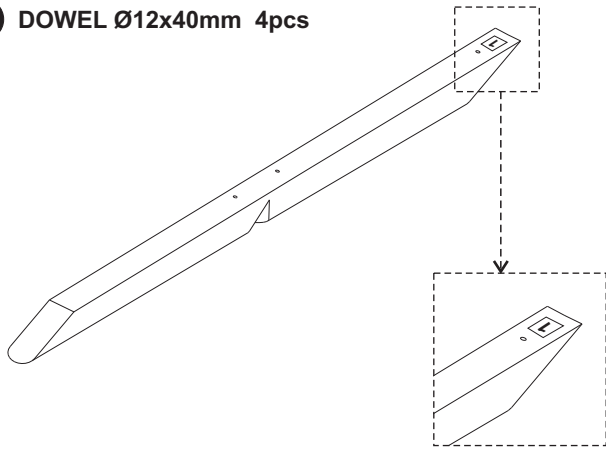


## 50546 OAK MIKADO DESK - WITH POWER OUTLET BOX ASSEMBLY INSTRUCTION FOR DESK INSTALLATION

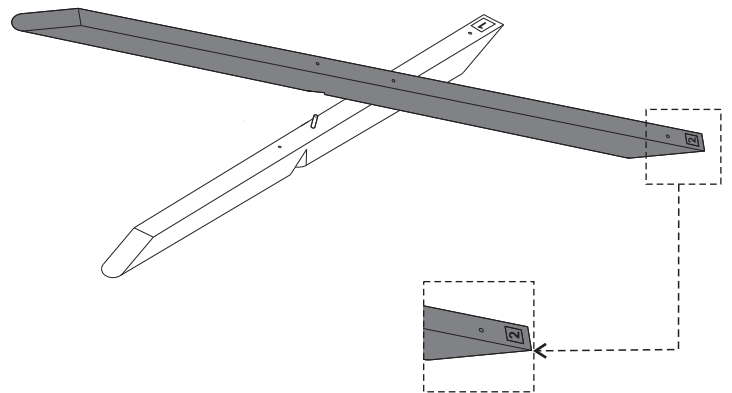
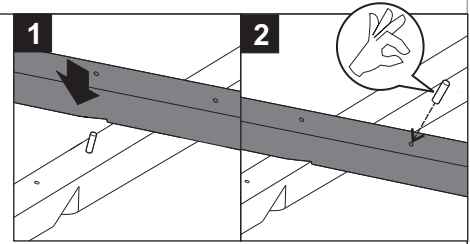
### A. ASSEMBLING THE LEGS



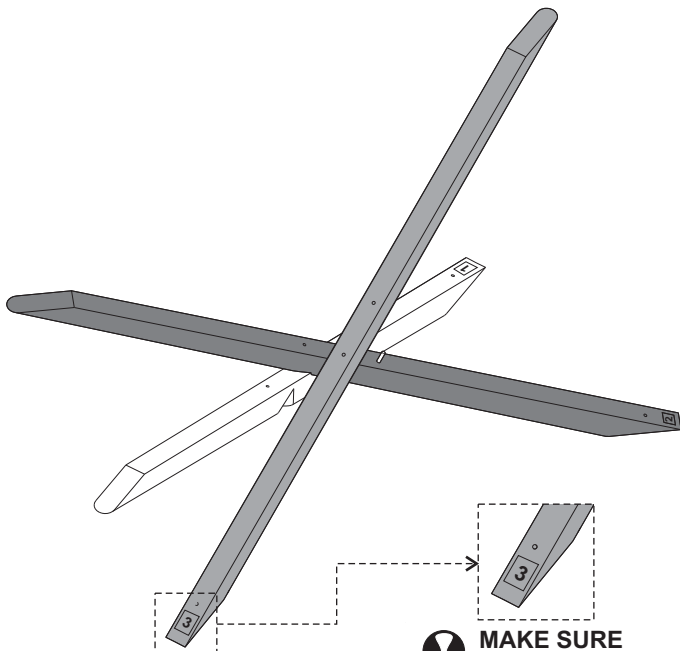
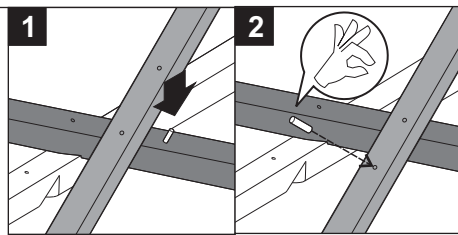
**!** DOWEL Ø12x40mm 4pcs



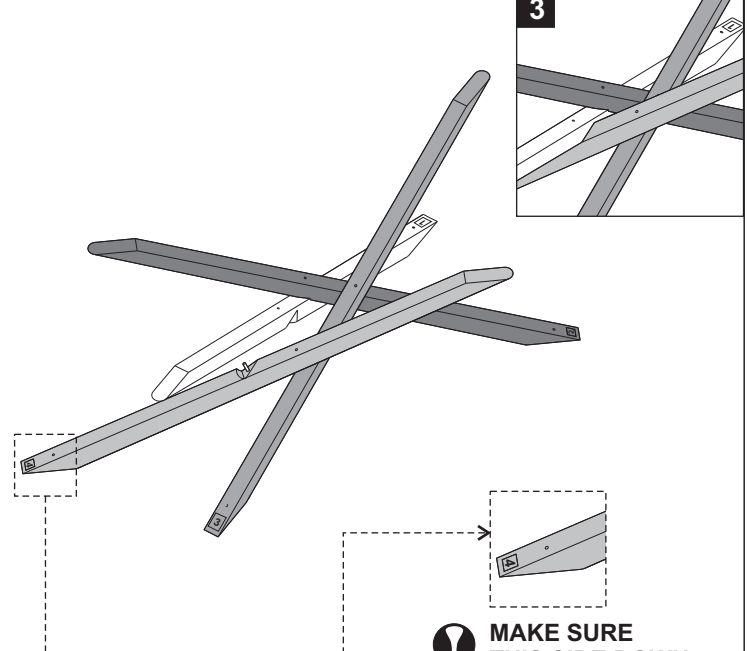
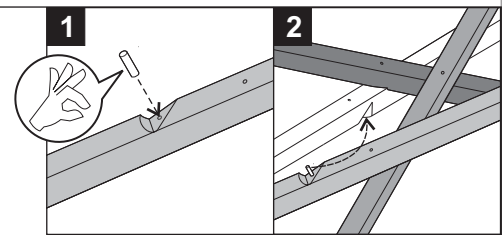
**!** MAKE SURE THIS SIDE DOWN



**!** MAKE SURE THIS SIDE DOWN

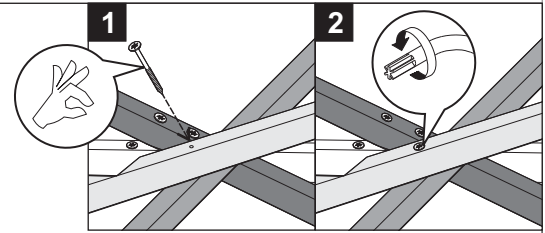


**!** MAKE SURE THIS SIDE DOWN

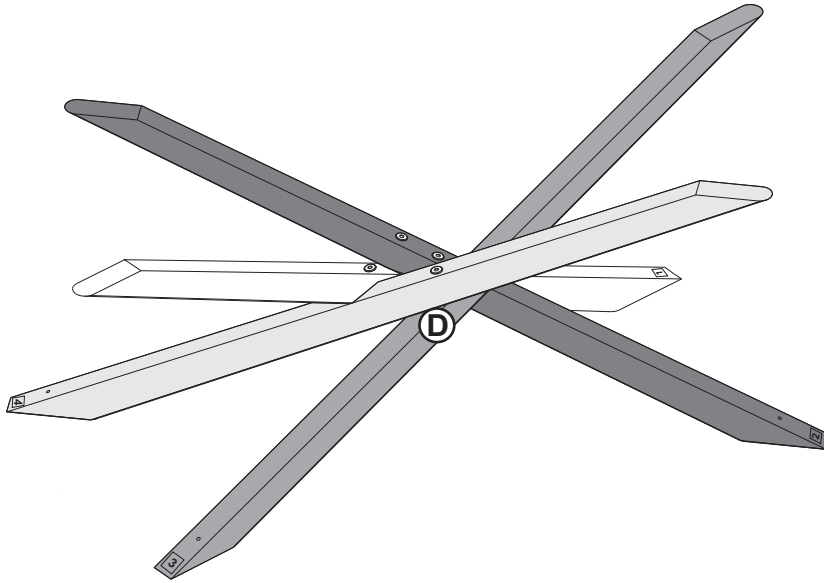


**!** MAKE SURE THIS SIDE DOWN

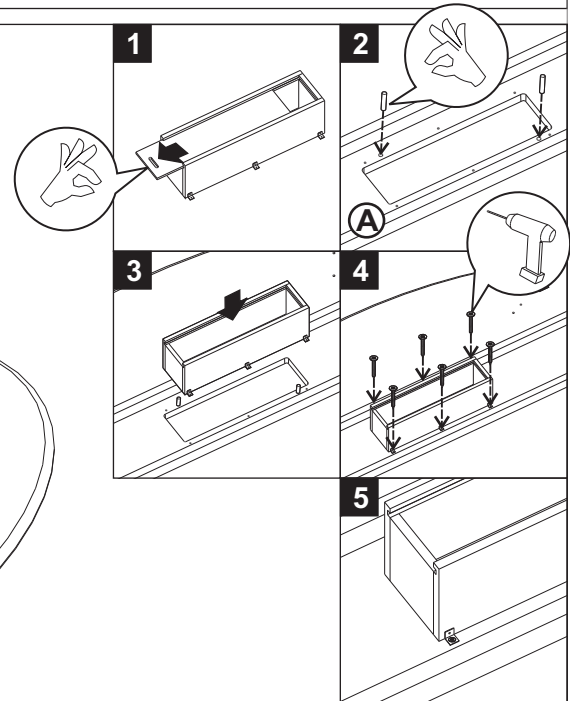
## 50546 OAK MIKADO DESK - WITH POWER OUTLET BOX ASSEMBLY INSTRUCTION FOR DESK INSTALLATION



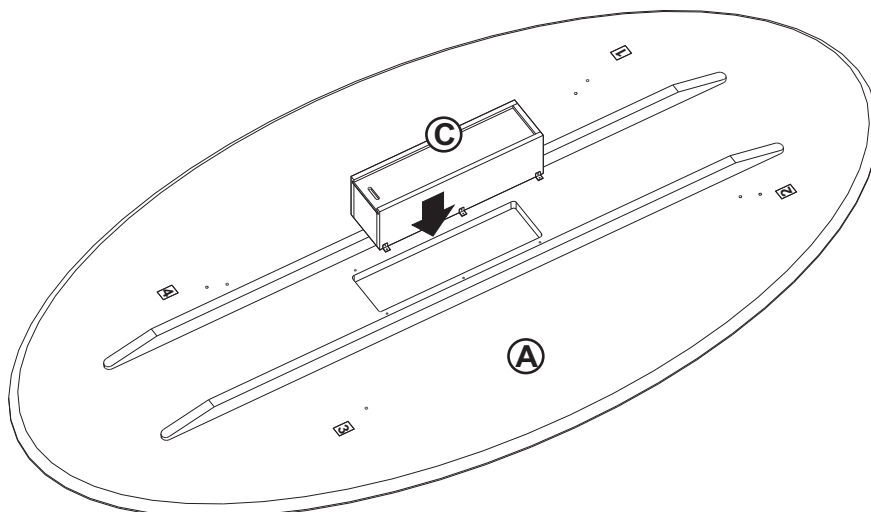
- USE SPAX SCREW 4pcs
- DO NOT FULLY TIGHTEN



### B. INSTALLING POWER PLUG BOX TO THE TOP PANEL

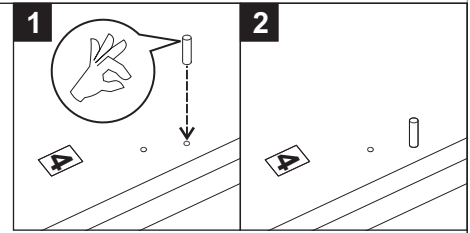


- DOWEL Ø8x30mm 2pcs
- SCREW M4.5x20mm 6pcs
- TIGHTEN FULLY

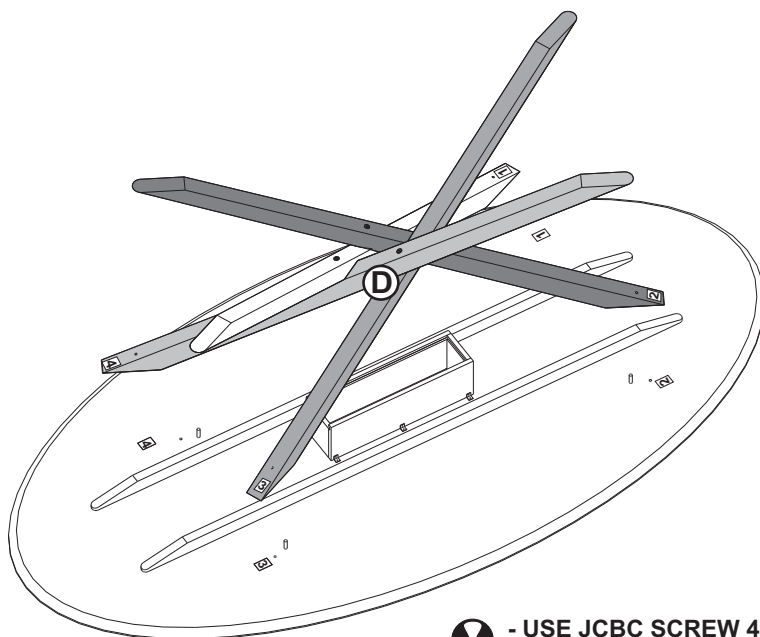
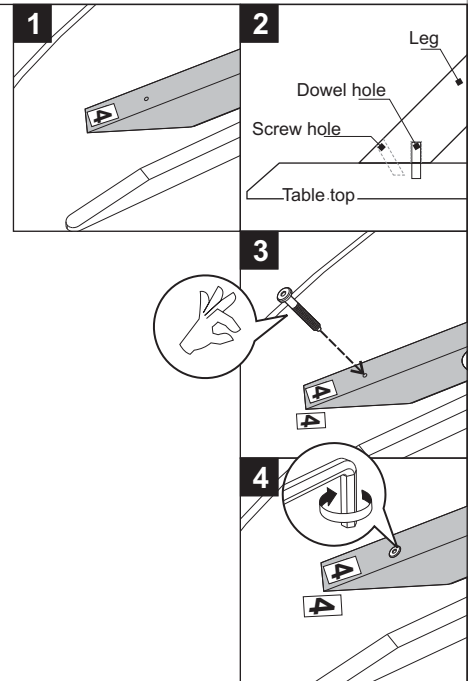
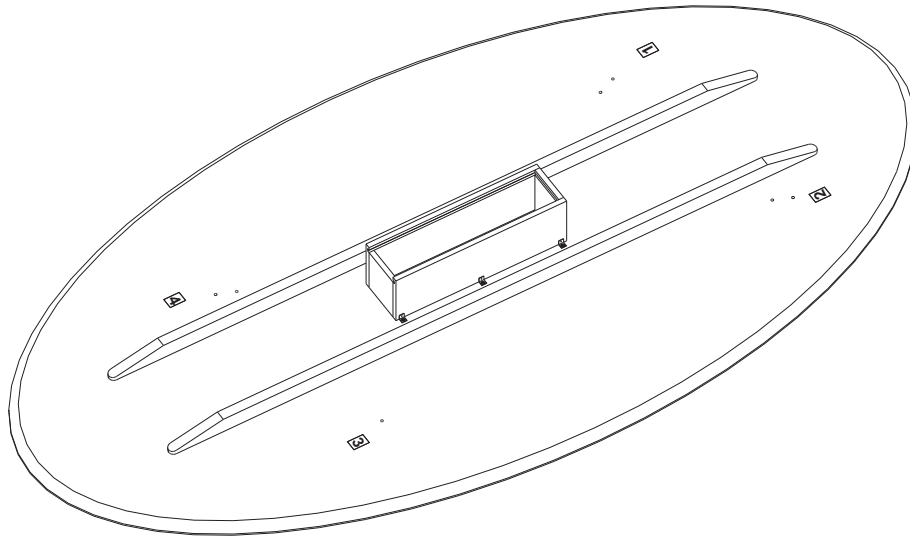


## 50546 OAK MIKADO DESK - WITH POWER OUTLET BOX ASSEMBLY INSTRUCTION FOR DESK INSTALLATION

### C. INSTALLING THE LEGS TO THE TOP PANEL

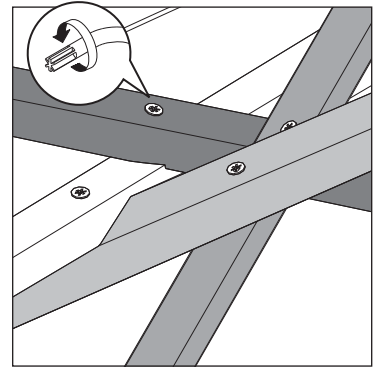
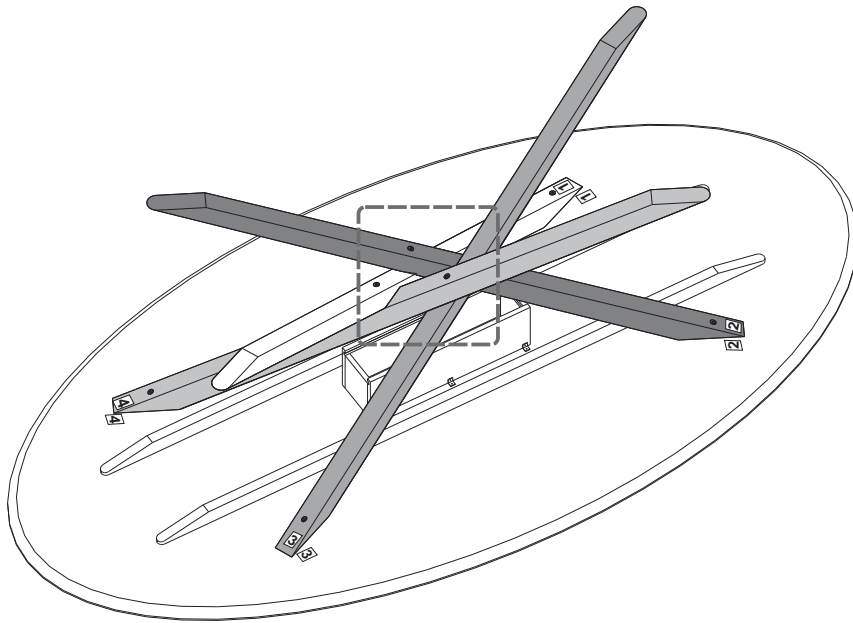


**!** DOWEL Ø12x40mm 4pcs



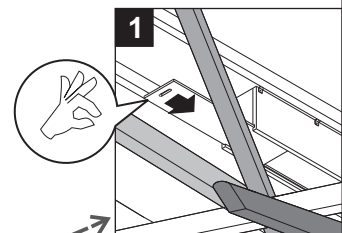
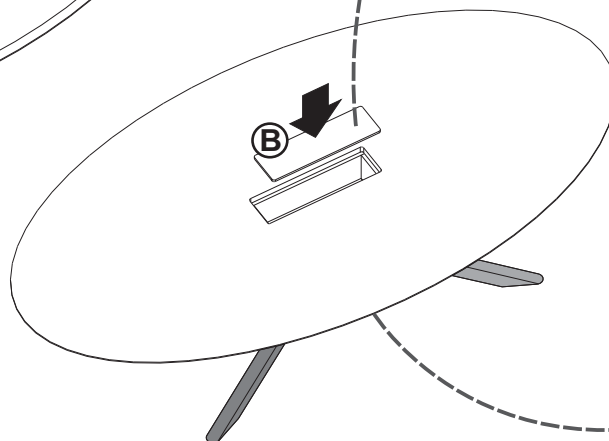
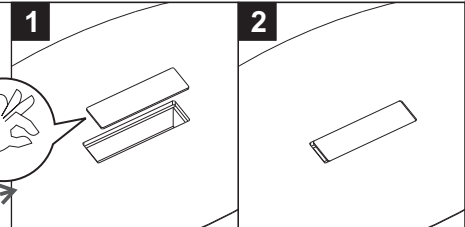
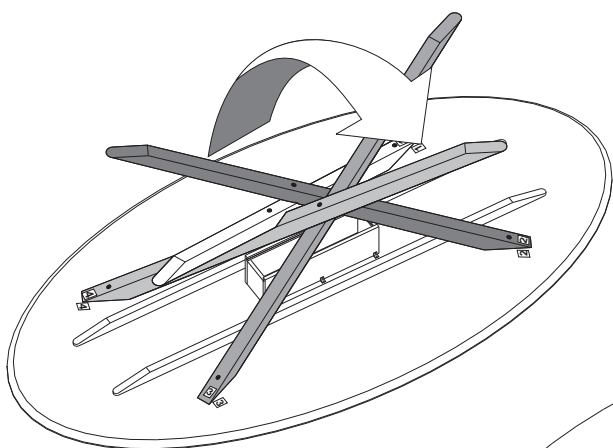
- !** - USE JCBC SCREW 4pcs
- TIGHTEN FULLY
- MAKE SURE THE NUMBERING AT THE LEGS AS WELL ON THE TABLE TOP IS CORRECT.

## 50546 OAK MIKADO DESK - WITH POWER OUTLET BOX ASSEMBLY INSTRUCTION FOR DESK INSTALLATION



**!** TIGHTEN FULLY ALL SCREWS

### D. INSTALLING WOODEN COVER TO TABLE TOP



**!** BOTTOM SIDE