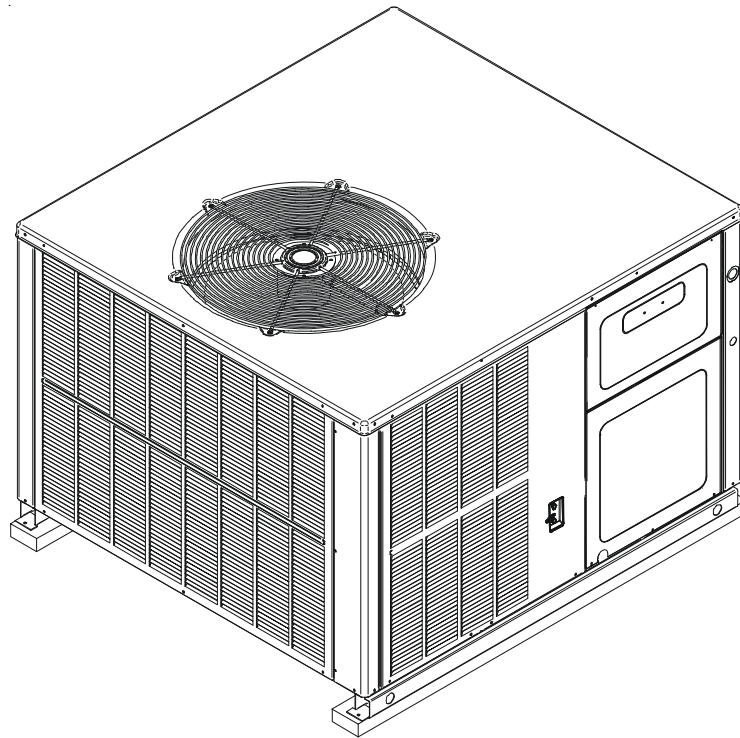


Goodman[®] TECHNICAL MANUAL

GPC15 SEER Multi-Position Package Air Conditioners with R-410A

- Refer to Service Manual RS6300008 for installation, operation, and troubleshooting information.
- All safety information must be followed as provided in the Service Manual.
- Refer to the appropriate Parts Catalog for part number information.
- Models listed on page 3.
- Models qualify for the 2009 and 2010 Federal Tax Credits for Energy Efficiency**



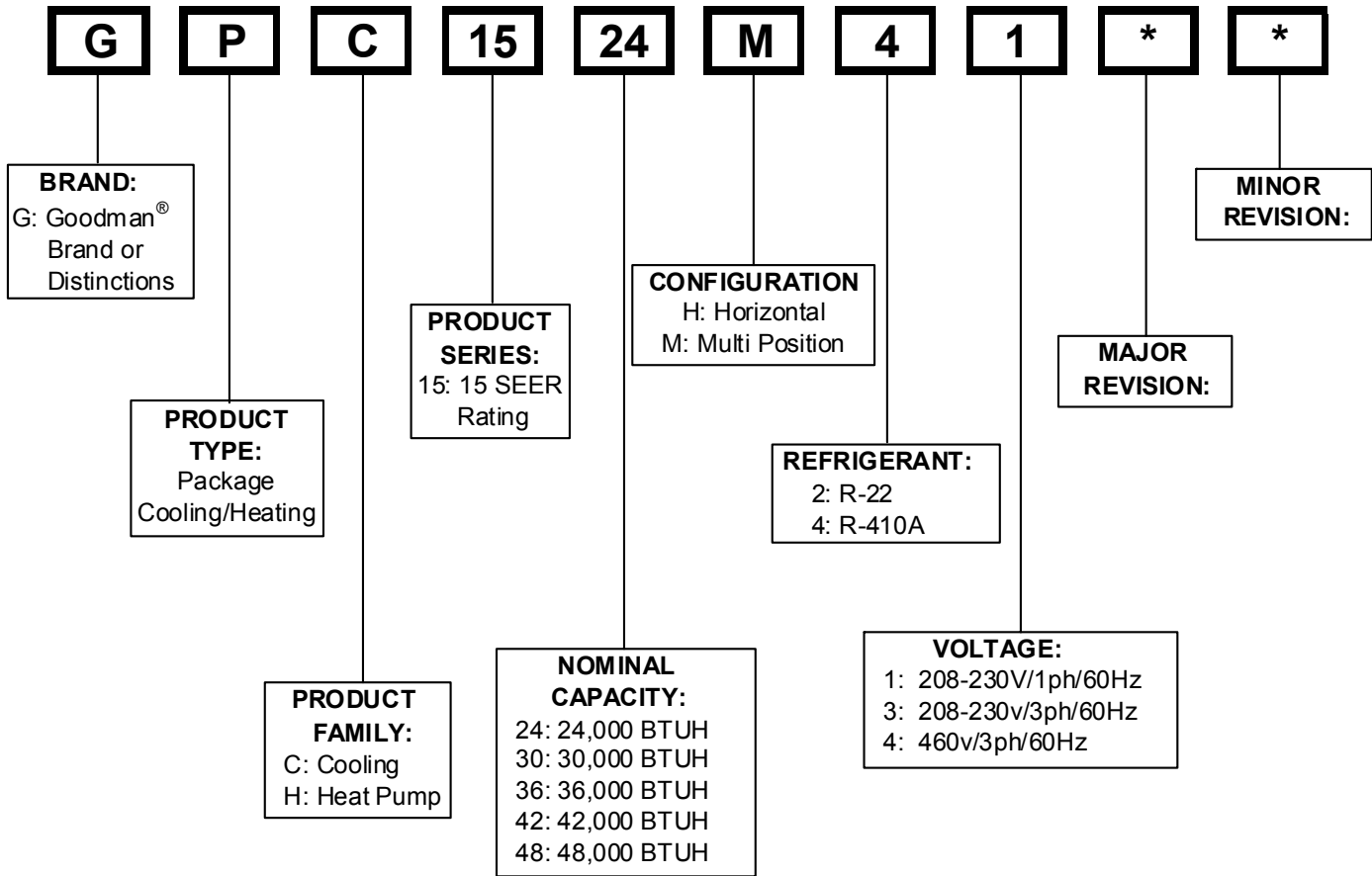
***Note that these tax credits are subject to specific requirements set forth in the American Recovery and Reinvestment Act of 2009 and in the Internal Revenue Code. Goodman recommends that consumers consult a tax professional if they have questions about the applicability of these credits.*

This manual is to be used by qualified, professionally trained HVAC technicians only. Goodman does not assume any responsibility for property damage or personal injury due to improper service procedures or services performed by an unqualified person.

RT6322008r6
November 2011

PRODUCT IDENTIFICATION

The model and manufacturing number are used for positive identification of component parts used in manufacturing. Please use these numbers when requesting service or parts information.



WARNING

HIGH VOLTAGE!

Disconnect ALL power before servicing or installing this unit. Multiple power sources may be present. Failure to do so may cause property damage, personal injury or death.

WARNING

Goodman will not be responsible for any injury or property damage arising from improper service or service procedures. If you install or perform service on this unit, you assume responsibility for any personal injury or property damage which may result. Many jurisdictions require a license to install or service heating and air conditioning equipment.

WARNING

Installation and repair of this unit should be performed ONLY by individuals meeting (at a minimum) the requirements of an "entry level technician" as specified by the Air-Conditioning, Heating, and Refrigeration Institute (AHRI). Attempting to install or repair this unit without such background may result in product damage, personal injury or death.

PRODUCT IDENTIFICATION

The model and manufacturing number are used for positive identification of component parts used in manufacturing. Please use these numbers when requesting service or parts information.

GPC1524M41A*

GPC1530M41A*

GPC1536M41A*

GPC1542M41A*

GPC1548M41A*

Models qualify for the 2009 and 2010 Federal Tax Credits
for Energy Efficiency**

***Note that these tax credits are subject to specific requirements set forth in the American Recovery and Reinvestment Act of 2009 and in the Internal Revenue Code. Goodman recommends that consumers consult a tax professional if they have questions about the applicability of these credits.*



The United States Environmental Protection Agency ("EPA") has issued various regulations regarding the introduction and disposal of refrigerants introduced into this unit. Failure to follow these regulations may harm the environment and can lead to the imposition of substantial fines. These regulations may vary by jurisdiction. Should questions arise, contact your local EPA office.



Do not connect or use any device that is not design certified by Goodman for use with this unit. Serious property damage, personal injury, reduced unit performance and/or hazardous conditions may result from the use of such non-approved devices.



To prevent the risk of property damage, personal injury, or death, do not store combustible materials or use gasoline or other flammable liquids or vapors in the vicinity of this appliance.

PRODUCT DESIGN

GPC Package Cooling Units are designed for outdoor installations only in either residential or light commercial applications and are available in 2, 2-1/2, 3, 3-1/2 and 4 ton sizes. They are designed for 208/230 volt single phase applications.

The connecting ductwork (Supply and Return) can be connected for either horizontal or vertical airflow. In the vertical application, a matching Roof Curb is recommended and a horizontal duct cover kit is required.

A return air filter must be installed behind the return air grille(s) or provision must be made for a filter in an accessible location within the return air duct. The minimum filter area should not be less than those sizes listed in the Specification Section. Under no circumstances should the unit be operated without return air filters.

A 3/4" PVC pipe is provided for removal of condensate water from the indoor coil. In order to provide proper condensate flow, a drain trap is supplied and shipped loose inside the unit for field installation. (Do not reduce the drain line size.)

Refrigerant flow control is achieved by use of restrictor orifices. GPC units use the FasTest Access Fitting System with a saddle that is either soldered to the suction and liquid lines or is fastened with a locking nut to the access fitting box (core) and then screwed into the saddle. **Do not remove the core from the saddle until the refrigerant charge has been removed. Failure to do so could result in property damage or personal injury.**

The single phase units use permanent split capacitor (PSC) design compressors. Starting components are therefore not required for these units. A low microfarad run capacitor assists the compressor to start and remains in the circuit during operation.

The outdoor fan motors are single phase capacitor type motors. GPC1524-48M41* units have EEM indoor blower motors that are energized by a 24V signal from the thermostat and are constant torque motors with very low power consumption. The EEM motors feature an integral control module.

Air for condensing (cooling cycle) is drawn through the outdoor coil by a propeller fan, and is discharged vertically out the top of the unit. The outdoor coil is designed for .0 static. No additional restriction (ductwork) shall be applied.

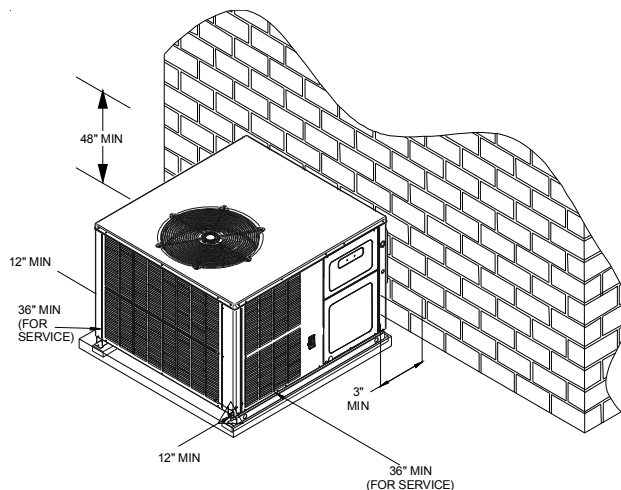
Conditioned air is drawn through the filter(s), field installed, across the coil and back into the conditioned space by the indoor blower.

GPC15 models use Copeland Scroll Compressors. There are a number of design characteristics which are different from the traditional reciprocating compressor.

- Due to their design Scroll Compressors are inherently more tolerant of liquid refrigerant. **NOTE:** Even though the compressor section of a Scroll compressor is more tolerant of liquid refrigerant, continued floodback or flooded start conditions may wash oil from the bearing surfaces causing premature bearing failure.
- Scroll Compressors use white oil which is compatible with 3GS oil which may be used if additional oil is required.
- Operating pressures and amp draws may differ from standard reciprocating compressors. This information may be found in the "Cooling Performance Data" section.

Location and Clearances

NOTE: To ensure proper condensate drainage, unit must be installed in a level position.

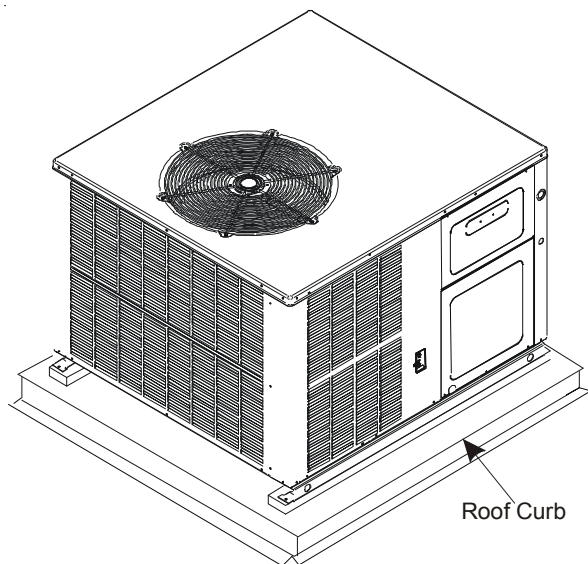


Outside Slab Installation - Multi-positional (M)

NOTE: Roof overhang should be no more than 36" and provisions made to deflect the warm discharge air out from the overhang.

Minimum clearances are required to avoid air recirculation and keep the unit operating at peak efficiency.

PRODUCT DESIGN



WARNING

TO PREVENT POSSIBLE PROPERTY DAMAGE, THE UNIT SHOULD REMAIN IN AN UPRIGHT POSITION DURING ALL RIGGING AND MOVING OPERATIONS. TO FACILITATE LIFTING AND MOVING IF A CRANE IS USED, PLACE THE UNIT IN AN ADEQUATE CABLE SLING.

IMPORTANT: If using bottom discharge with roof curb, ductwork should be attached to the curb prior to installing the unit.

Refer to Roof Curb Installation Instructions for proper curb installation. Curbing must be installed in compliance with the National Roofing Contractors Association Manual.

Rooftop Installation - Multi-positional (M)

NOTE: To ensure proper condensate drainage, unit must be installed in a level position.

In installations where the unit is installed above ground level and not serviceable from the ground (Example: Roof Top installations), the installer must provide service platform for service person with rails or guards in accordance with local codes or ordinances or in their absence with the latest edition of the Uniform Mechanical Code Section 305.

NOTE: Unit can also use roof curb (and platform for leveling, where necessary) to utilize bottom discharge.

HKR ELECTRICAL DATA

Model and Heat Kit Usage	Circuit #1		Circuit #2		Actual kW & BTU at 240V
	Minimum Circuit Ampacity at 208 / 240V	Maximum Overcurrent Protection (amps) at 208 / 240V	Minimum Circuit Ampacity at 208 / 240V	Maximum Overcurrent Protection (amps) at 208 / 240V	
GPC1524M41*					
HKR05A, CA	24 / 27	30 / 30	----	----	4.75 / 16,200
HKR08A, CA	33 / 28	40 / 40	----	----	7.00 / 23,800
HKR10A, CA	45 / 51	60 / 60	----	----	9.50 / 32,400
GPC1530M41*					
HKR05A, CA	24 / 27	30 / 30	--	--	4.75 / 16,200
HKR08A, CA	34 / 39	40 / 40	--	--	7.0 / 23,800
HKR10A, CA	45 / 52	60 / 60	--	--	9.5 / 32,400
HKR15A, CA	45 / 52	60 / 60	22 / 25	30 / 30	14.25 / 48,600
GPC1536M41*					
HKR05A, CA	24 / 27	30 / 30	----	----	4.75 / 16,200
HKR08A, CA	34 / 39	40 / 40	----	----	7.00 / 23,800
HKR10A, CA	45 / 52	60 / 60	----	----	9.50 / 32,400
HKR15A, CA	45 / 52	60 / 60	22 / 25	30 / 30	14.25 / 48,600
GPC1542M41*					
HKR05A, CA	24 / 27	30 / 30	--	--	4.75 / 16,200
HKR08A, CA	34 / 39	40 / 40	--	--	7.0 / 23,800
HKR10A, CA	45 / 52	60 / 60	--	--	9.5 / 32,400
HKR15A, CA	45 / 52	60 / 60	22 / 25	30 / 30	14.25 / 48,600
GPC1548M41*					
HKR05A, CA	25 / 28	30 / 30	----	----	4.75 / 16,200
HKR08A, CA	34 / 40	40 / 40	----	----	7.00 / 23,800
HKR10A, CA	46 / 53	60 / 60	----	----	9.50 / 32,400
HKR15A, CA	46 / 52	60 / 60	22 / 25	30 / 30	14.25 / 48,600
HKR20A, CA	46 / 52	60 / 60	43 / 49	60 / 60	19.50 / 66,500

IMPORTANT NOTE: A separate power supply is required for the HKR heater kit.

Heating kW Correction Factor

Supply Voltage	240	230	220	210	208
Correction Factor	1.0	0.93	0.85	0.78	0.76

Multiply rated kW by correction factor to get actual kW

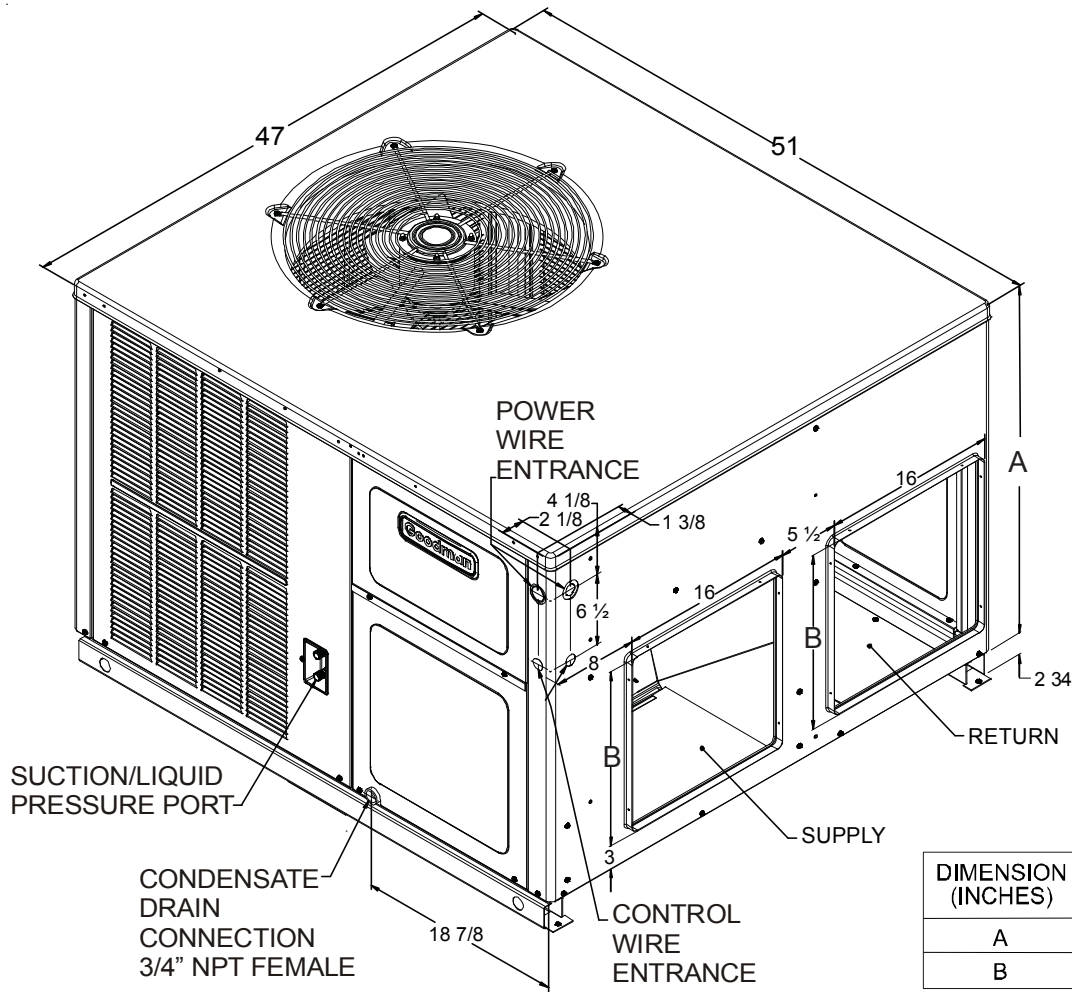


WARNING

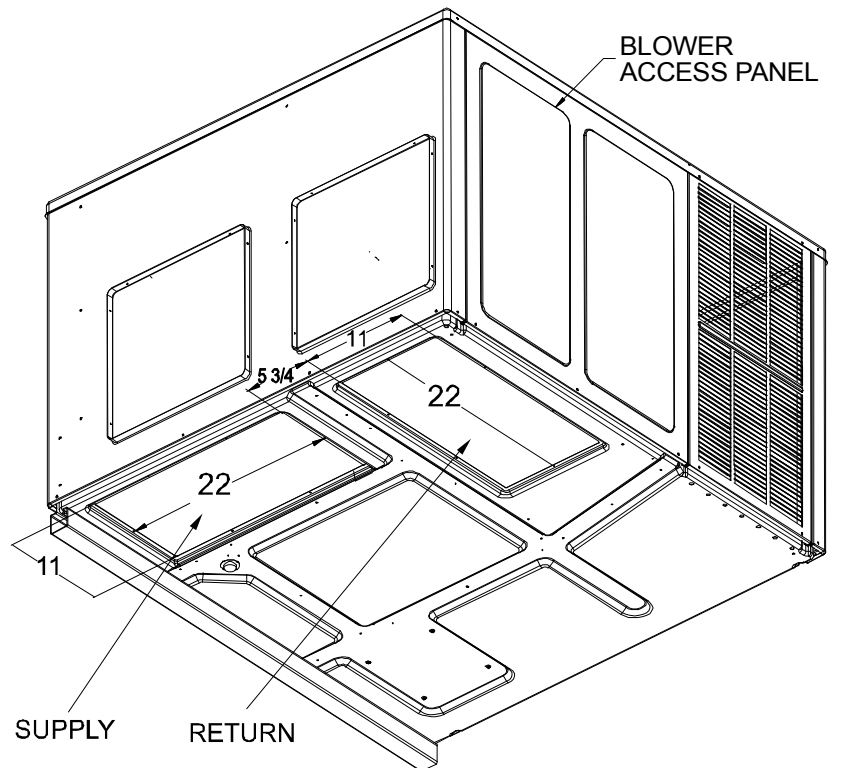
All wires and overcurrent protection devices are sized for use with electric heaters only and without refrigeration. If heaters are not installed with above wire size, overheating and fire could occur. See PACKAGE COOLING SPECIFICATIONS section for minimum circuit ampacity and maximum overcurrent protection during refrigeration cycle.

PRODUCT DIMENSIONS

GPC15[24-48]M41*



- MEDIUM CHASSIS**
- GPC1524M41*
 - GPC1530M41*
 - GPC1536M41*
- LARGE CHASSIS**
- GPC1542M41*
 - GPC1548M41*



PACKAGE COOLING SPECIFICATIONS

GPC15[24-48]M41A*

		GPC1524M41*	GPC1530M41*	GPC1536M41*	GPC1542M41*	GPC1548M41*
COOLING CAPACITY	COOLING CAPACITY, BTUH	24,000	28,000	35,000	40,000	45,500
	SEER / EER	14.0 / 11.5	14.5 / 12.0	14.5 / 11.6	14.5 / 12.0	14.5 / 12.0
UNIT ELECTRICAL SPECIFICATION	VOLTAGE (NAMEPLATE)	208/230-60-1	208/230-60-1	208/230-60-1	208/230-60-1	208/230-60-1
	AMPS	15.8	17.5	20.1	22.2	24.2
	MIN CIRCUIT AMPACITY	19.0	21.0	24.2	26.7	29.2
	MAX OVERCURRENT PROTECTION	30	35	40	40	45
COMPRESSOR	TYPE	SCROLL	SCROLL	SCROLL	SCROLL	SCROLL
	RATED LOAD AMPS	12.8	14.1	16.7	17.9	19.9
	LOCKED ROTOR AMPS	58.3	73.0	79.0	112.0	109.0
CONDENSER FAN MOTOR	HORSEPOWER	1/6	1/4	1/4	1/4	1/4
	RPM	815	837	837	1075	1075
	FULL LOAD AMPS	1.1	1.5	1.5	1.4	1.4
	LOCKED ROTOR AMPS	1.7	3.0	3.0	2.9	2.9
CONDENSER FAN	BLADE DIAMETER (INCHES)	22	22	22	22	22
	NUMBER OF BLADES	3	3	3	3	3
CONDENSER COIL	FACE AREA (SQ. FT.)	12.33	12.33	12.33	15.38	15.38
	NUMBER OF ROWS	1	2	2	2	2
	FINS PER INCH	24	16	16	16	16
EVAPORATOR BLOWER MOTOR	HORSEPOWER - NO. OF SPEEDS	1/2 - 5	1/2 - 5	1/2 - 5	3/4 - 5	3/4 - 5
	FULL LOAD AMPS	1.9	1.9	1.9	2.9	2.9
	LOCKED ROTOR AMPS	---	--	---	---	---
	MOTOR SPEED TAP-COOLING EEM	T2	T2	T2	T2	T2
	RPM	1,050	1,050	1,050	1,050	1,050
EVAPORATOR BLOWER	DIAMETER X WIDTH (INCHES)	10 x 9	10 x 9	10 x 9	10 x 9	10 x 9
	RATED SCFM COOLING	850	1,050	1,150	1,350	1,350
	MAX EXTERNAL STATIC PRESS ("w.c.)	0.5	0.5	0.5	0.5	0.5
EVAPORATOR COIL	FACE AREA (SQ. FT.)	4.52	4.52	4.52	6.17	6.17
	NUMBER OF ROWS	3	3	4	4	4
	FINS PER INCH	16	16	14	14	14
GENERAL INFORMATION	FILTER SIZE *	25 x 25 x 1	25 x 25 x 1	25 x 25 x 1	(2) 20 x 20 x 1	(2) 20 x 20 x 1
	DRAIN SIZE (INCHES)	3/4"	3/4"	3/4"	3/4"	3/4"
	EXPANSION DEVICE	0.057	0.065	0.068	0.072	0.076
	REFRIGERANT CHARGE R410A (OZS.)	80	100	115	140	170
	POWER SUPPLY CONDUIT KNOCKOUT SIZE (INCHES)	3/4, 1, 1-1/4	3/4, 1, 1-1/4	3/4, 1, 1-1/4	3/4, 1, 1-1/4	3/4, 1, 1-1/4
	LOW VOLTAGE CONDUIT KNOCKOUT SIZE (INCHES)	1/2	1/2	1/2	1/2	1/2
	SHIPPING WEIGHT (LBS.)	375	384	416	459	459
	OPERATING WEIGHT (LBS.)	354	363	395	438	438

(1) Maximum Overcurrent Protection Device: **MUST** use Time Delay Fuse or HACR type Circuit Breaker of the same size as noted.

* Calculated external filter size based on air velocity of 300 ft/min.

Wire size should be determined in accordance with National Electrical Codes. Extensive wire runs will require larger wire sizes.

Unit specifications are subject to change without notice. **ALWAYS** refer to the units serial plate for the most up-to-date general and electrical information.

IMPORTANT: While this data is presented as a guide, it is important to electrically connect the unit and properly size wires and fuses/circuit breakers in accordance with the National Electrical Code and/or all local codes. Data shown is w/o electric heaters.

ACCESSORIES

ACCESSORIES - GPC/GPH****M MODELS	
Part Number	Description
OT18-60A	Outdoor Thermostat Kit w/Lockout Stat
OT/EHR18-60	Emergency Heat Relay Kit
HKR	Electric Heat Kit
PGC101/102/103	Roof Curb
PEHH101/102	Horizontal Economizer For Heat Pump, Small and Medium Chassis
PEHH103	Horizontal Economizer For Heat Pump, Large Chassis
PEHC101/102	Horizontal Economizer For A/C, Small and Medium Chassis
PEHC103	Horizontal Economizer For A/C, Large Chassis
PGMDD101/102	Manual 25% Fresh Air Damper Downflow Application, Small and Medium Chassis
PGMDD103	Manual 25% Fresh Air Damper Downflow Application, Large Chassis
PGMDH102	Manual 25% Fresh Air Damper Horizontal Application, Medium Chassis
PGMDH103	Manual 25% Fresh Air Damper Horizontal Application, Large Chassis
PGMDMD101/102	Motorized 25% Fresh Air Damper Downflow Application, Small and Medium Chassis
PGMDMD103	Motorized 25% Fresh Air Downflow Application, Large Chassis
PGMDMH102	Motorized 25% Fresh Air Damper Horizontal Application, Medium Chassis
PGMDMH103	Motorized 25% Fresh Air Damper Horizontal Application, Large Chassis
GPC13MED102	Downflow Economizer For A/C, Medium Chassis
GPC13MED103	Downflow Economizer For A/C, Large Chassis
GPH13MED102	Downflow Economizer For Heat Pump, Medium Chassis
GPH13MED103	Downflow Economizer For Heat Pump, Large Chassis
GPH13MFR102	Internal Filter Rack, Medium Chassis
GPH13MFR103	Internal Filter Rack, Large Chassis
GPGHFR101-103	External Horizontal Filter Rack for Goodman/Amana Gas/Electric and Multi-position Package Units All Chassis
SQRPG101/102	Square to Round Adapter w/ 16" Round Downflow Application, Medium Chassis
SQRPG103	Square to Round Adapter w/ 18" Round Downflow Application, Large Chassis
SQRPGH101/102	Square to Round Adapter w/ 16" Round Horizontal Application, Medium Chassis
SQRPGH103	Square to Round Adapter w/ 18" Round Horizontal Application, Large Chassis
CDK36	Flush Mount Concentric Duct Kit
CDK36515	Flush Mount Concentric Duct Kit w/ Filter
CDK36530	Step Down Concentric Duct Kit
CDK36535	Step Down Concentric Duct Kit w/ Filter
CDK4872	Flush Mount Concentric Duct Kit
CDK4872515	Flush Mount Concentric Duct Kit w/ Filter
CDK4872530	Step Down Concentric Duct Kit
CDK4872535	Step Down Concentric Duct Kit w/ Filter

BLOWER PERFORMANCE DATA

GPC15[24-48]M41*

Dry Coil Data

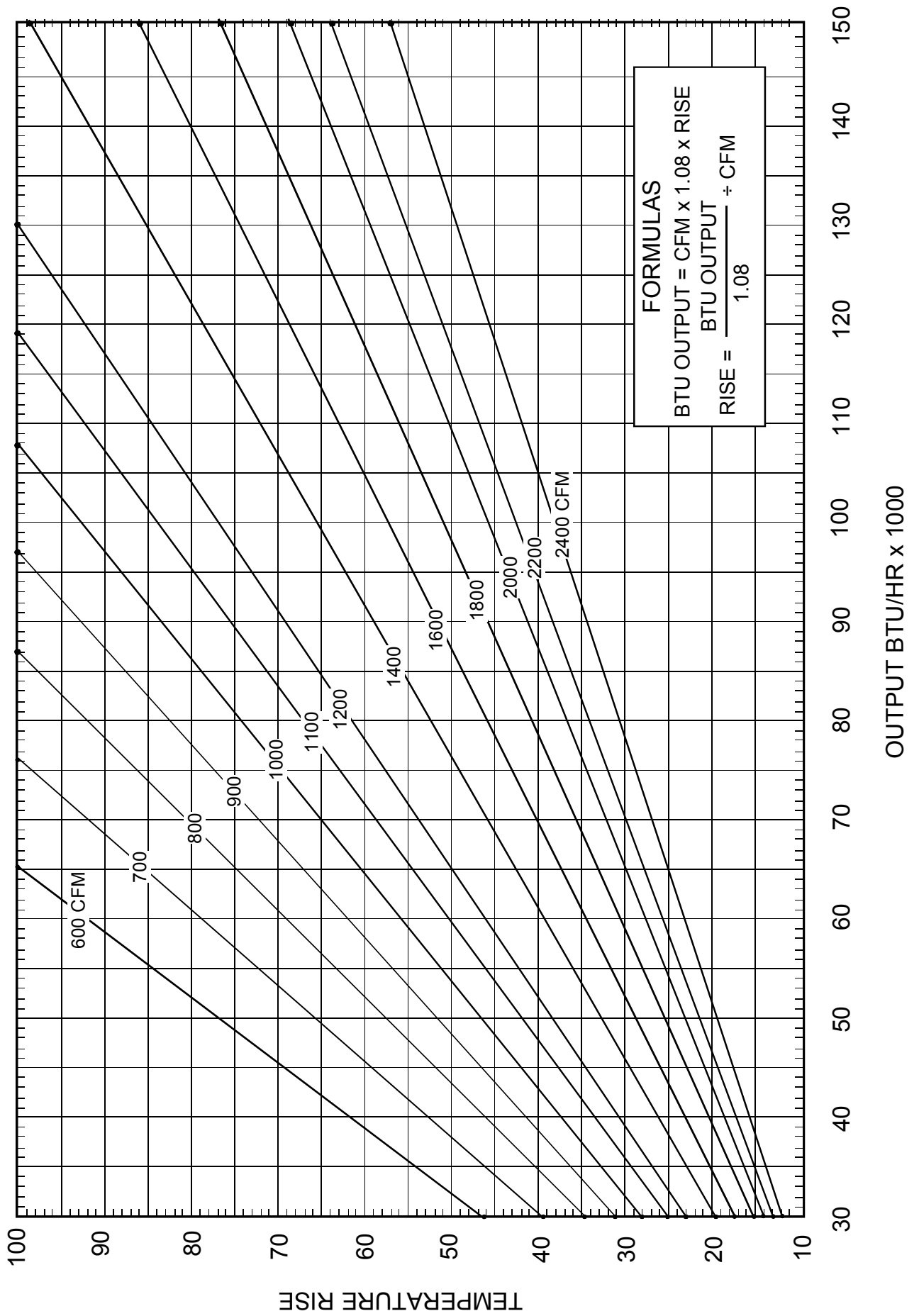
Model	Speed	Volts		E.S.P (In. of H ₂ O)							
				0.1	0.2	0.3	0.4	0.5	0.6	0.7	0.8
GPC1524M41*	T1 (G)	230	CFM	882	808	727	649	545	---	---	---
			WATTS	82	86	92	102	108	---	---	---
	T2 / T3	230	CFM	933	873	810	733	637	584	---	---
			WATTS	93	103	109	120	126	135	---	---
	T4 / T5	230	CFM	1058	1012	945	896	816	723	672	---
			WATTS	124	136	142	153	168	172	179	---
GPC1530M41*	T1 (G)	230	CFM	893	824	752	665	575	---	---	---
			WATTS	87	95	101	111	115	---	---	---
	T2 / T3	230	CFM	1132	1070	1011	959	889	827	733	669
			WATTS	153	162	168	179	184	195	206	208
	T4 / T5	230	CFM	1287	1236	1165	1123	1066	1012	958	857
			WATTS	211	217	228	239	244	255	265	272
GPC1536M41*	T1 (G)	230	CFM	852	764	711	592	545	---	---	---
			WATTS	80	82	85	95	99	---	---	---
	T2 / T3	230	CFM	1232	1190	1131	1082	1023	966	889	819
			WATTS	202	214	221	229	235	246	258	264
	T4 / T5	230	CFM	1267	1213	1162	1120	1058	1009	932	841
			WATTS	218	226	236	245	247	260	272	275
GPC1542M41*	T1 (G)	230	CFM	1123	1070	1025	984	942	894	839	774
			Watts	162	170	182	193	204	216	229	242
	T2 / T3	230	CFM	1437	1390	1354	1318	1281	1243	1204	1165
			Watts	310	317	331	342	355	366	377	389
	T4 / T5	230	CFM	1528	1490	1450	1410	1383	1348	1312	1267
			Watts	372	379	391	403	416	427	439	451
GPC1548M41*	T1 (G)	230	CFM	1199	1138	1085	1017	957	889	820	755
			WATTS	162	173	185	193	211	219	232	245
	T2 / T3	230	CFM	1799	1745	1698	1658	1610	1560	1522	1450
			WATTS	480	493	508	521	531	545	550	547
	T4 / T5	230	CFM	1921	1865	1818	1780	1719	1667	1579	1483
			WATTS	582	585	602	625	627	621	595	569

NOTES:

- Data shown is Dry Coil. Wet Coil Pressure Drop is approximate. 0.1" H₂O, for 2 row indoor coil; 0.2" H₂O, for 3 row indoor coil; and 0.3" H₂O, for 4 row indoor coil.
- Data shown does not include filter pressure drop, approx. 0.08" H₂O.
- ALL MODELS SHOULD RUN NO LESS THAN 350 CFM / TON.
- Reduce airflow by 2% for 208V operation.

BLOWER PERFORMANCE DATA

BTU OUTPUT vs TEMPERATURE RISE CHART



COOLING PERFORMANCE DATA

GPC1524M41*

EXPANDED PERFORMANCE DATA

EXPANDED PERFORMANCE DATA

EXPANDED PERFORMANCE DATA

Design Subcooling, 7 °F @ the liquid access fitting connection AHRJ 95 test conditions. Design Superheat 5°F @ the compressor suction access fitting connection.

IDB*	Airflow	65												75												85												95												105												115																																																																																																																																																																																																																																																																																																																																																																																																																																																																																																																																																																																																																																																																																																																																																																																																																																																																																																																																																																																																																																																																																																																																																																																																																																																																																																																																																																									
		59				63				67				71				59				63				67				71				59				63				67				71				59				63				67				71																																																																																																																																																																																																																																																																																																																																																																																																																																																																																																																																																																																																																																																																																																																																																																																																																																																																																																																																																																																																																																																																																																																																																																																																																																																																																																																																																																									
		Entering Indoor Wet Bulb Temperature												Entering Indoor Wet Bulb Temperature												Entering Indoor Wet Bulb Temperature												Entering Indoor Wet Bulb Temperature												Entering Indoor Wet Bulb Temperature												Entering Indoor Wet Bulb Temperature																																																																																																																																																																																																																																																																																																																																																																																																																																																																																																																																																																																																																																																																																																																																																																																																																																																																																																																																																																																																																																																																																																																																																																																																																																																																																																																																																																									
70	966	MBh	24.3	25.1	27.5	-	23.7	24.6	26.9	-	23.1	24.0	26.3	-	22.6	23.4	25.6	-	21.4	22.2	24.3	-	19.9	20.6	22.5	-	21.4	22.2	24.3	-	19.9	20.6	22.5	-	17.1	17.9	20.0	-	15.6	16.4	18.5	-	14.1	14.9	17.0	-	12.6	13.4	15.5	-	11.1	11.9	14.0	-	9.6	10.4	12.5	-	8.1	8.9	11.0	-	6.6	7.4	9.5	-	5.1	5.9	8.0	-	3.6	4.4	6.5	-	2.1	2.9	5.0	-	0.6	1.4	3.5	-	-0.9	-0.1	2.0	-	-2.4	-1.6	0.5	-	-3.9	-3.1	1.0	-	-5.4	-4.6	1.5	-	-6.9	-6.1	2.0	-	-8.4	-7.6	2.5	-	-9.9	-9.1	3.0	-	-11.4	-10.6	3.5	-	-12.9	-12.1	4.0	-	-14.4	-13.6	4.5	-	-15.9	-15.1	5.0	-	-17.4	-16.6	5.5	-	-18.9	-18.1	6.0	-	-20.4	-19.6	6.5	-	-21.9	-21.1	7.0	-	-23.4	-22.6	7.5	-	-24.9	-24.1	8.0	-	-26.4	-25.6	8.5	-	-27.9	-27.1	9.0	-	-29.4	-28.6	9.5	-	-30.9	-30.1	10.0	-	-32.4	-31.6	10.5	-	-33.9	-33.1	11.0	-	-35.4	-34.6	11.5	-	-36.9	-36.1	12.0	-	-38.4	-37.6	12.5	-	-39.9	-39.1	13.0	-	-41.4	-40.6	13.5	-	-42.9	-42.1	14.0	-	-44.4	-43.6	14.5	-	-45.9	-45.1	15.0	-	-47.4	-46.6	15.5	-	-48.9	-48.1	16.0	-	-50.4	-49.6	16.5	-	-51.9	-51.1	17.0	-	-53.4	-52.6	17.5	-	-54.9	-54.1	18.0	-	-56.4	-55.6	18.5	-	-57.9	-57.1	19.0	-	-59.4	-58.6	19.5	-	-60.9	-60.1	20.0	-	-62.4	-61.6	20.5	-	-63.9	-63.1	21.0	-	-65.4	-64.6	21.5	-	-66.9	-66.1	22.0	-	-68.4	-67.6	22.5	-	-69.9	-69.1	23.0	-	-71.4	-70.6	23.5	-	-72.9	-72.1	24.0	-	-74.4	-73.6	24.5	-	-75.9	-75.1	25.0	-	-77.4	-76.6	25.5	-	-78.9	-78.1	26.0	-	-80.4	-79.6	26.5	-	-81.9	-81.1	27.0	-	-83.4	-82.6	27.5	-	-84.9	-84.1	28.0	-	-86.4	-85.6	28.5	-	-87.9	-87.1	29.0	-	-89.4	-88.6	29.5	-	-90.9	-90.1	30.0	-	-92.4	-91.6	30.5	-	-93.9	-93.1	31.0	-	-95.4	-94.6	31.5	-	-96.9	-96.1	32.0	-	-98.4	-97.6	32.5	-	-99.9	-99.1	33.0	-	-101.4	-100.6	33.5	-	-102.9	-102.1	34.0	-	-104.4	-103.6	34.5	-	-105.9	-105.1	35.0	-	-107.4	-106.6	35.5	-	-108.9	-108.1	36.0	-	-110.4	-109.6	36.5	-	-111.9	-111.1	37.0	-	-113.4	-112.6	37.5	-	-114.9	-114.1	38.0	-	-116.4	-115.6	38.5	-	-117.9	-117.1	39.0	-	-119.4	-118.6	39.5	-	-120.9	-120.1	40.0	-	-122.4	-121.6	40.5	-	-123.9	-123.1	41.0	-	-125.4	-124.6	41.5	-	-126.9	-126.1	42.0	-	-128.4	-127.6	42.5	-	-129.9	-129.1	43.0	-	-131.4	-130.6	43.5	-	-132.9	-132.1	44.0	-	-134.4	-133.6	44.5	-	-135.9	-135.1	45.0	-	-137.4	-136.6	45.5	-	-138.9	-138.1	46.0	-	-140.4	-139.6	46.5	-	-141.9	-141.1	47.0	-	-143.4	-142.6	47.5	-	-144.9	-144.1	48.0	-	-146.4	-145.6	48.5	-	-147.9	-147.1	49.0	-	-149.4	-148.6	49.5	-	-150.9	-150.1	50.0	-	-152.4	-151.6	50.5	-	-153.9	-153.1	51.0	-	-155.4	-154.6	51.5	-	-156.9	-156.1	52.0	-	-158.4	-157.6	52.5	-	-159.9	-159.1	53.0	-	-161.4	-160.6	53.5	-	-162.9	-162.1	54.0	-	-164.4	-163.6	54.5	-	-165.9	-165.1	55.0	-	-167.4	-166.6	55.5	-	-168.9	-168.1	56.0	-	-170.4	-169.6	56.5	-	-171.9	-171.1	57.0	-	-173.4	-172.6	57.5	-	-174.9	-174.1	58.0	-	-176.4	-175.6	58.5	-	-177.9	-177.1	59.0	-	-179.4	-178.6	59.5	-	-180.9	-180.1	60.0	-	-182.4	-181.6	60.5	-	-183.9	-183.1	61.0	-	-185.4	-184.6	61.5	-	-186.9	-186.1	62.0	-	-188.4	-187.6	62.5	-	-189.9	-189.1	63.0	-	-191.4	-190.6	63.5	-	-192.9	-192.1	64.0	-	-194.4	-193.6	64.5	-	-195.9	-195.1	65.0	-	-197.4	-196.6	65.5	-	-198.9	-198.1	66.0	-	-200.4	-199.6	66.5	-	-201.9	-201.1	67.0	-	-203.4	-202.6	67.5	-	-204.9	-204.1	68.0	-	-206.4	-205.6	68.5	-	-207.9	-207.1	69.0	-	-209.4	-208.6	69.5	-	-210.9	-210.1	70.0	-	-212.4	-211.6	70.5	-	-213.9	-213.1	71.0	-	-215.4	-214.6	71.5	-	-216.9	-216.1	72.0	-	-218.4	-217.6	72.5	-	-219.9	-219.1	73.0	-	-221.4	-220.6	73.5	-	-222.9	-222.1	74.0	-	-224.4	-223.6	74.5	-	-225.9	-225.1	75.0	-	-227.4	-226.6	75.5	-	-228.9	-228.1	76.0	-	-230.4	-229.6	76.5	-	-231.9	-231.1	77.0	-	-233.4	-232.6	77.5	-	-234.9	-234.1	78.0	-	-236.4	-235.6	78.5	-	-237.9	-237.1	79.0	-	-239.4	-238.6	79.5	-	-240.9	-240.1	80.0	-	-242.4	-241.6	80.5	-	-243.9	-243.1	81.0	-	-245.4	-244.6	81.5	-	-246.9	-246.1	82.0	-	-248.4	-247.6	82.5	-	-249.9	-249.1	83.0	-	-251.4	-250.6	83.5	-	-252.9	-252.1	84.0	-	-254.4	-253.6	84.5	-	-255.9	-255.1	85.0	-	-257.4	-256.6	85.5	-	-258.9	-258.1	86.0	-	-260.4	-259.6	86.5	-	-261.9	-261.1	87.0	-	-263.4	-262.6	87.5	-	-264.9	-264.1	88.0	-	-266.4	-265.6	88.5	-	-267.9	-267.1	89.0	-	-269.4	-268.6	89.5	-	-270.9	-270.1	90.0	-	-272.4	-271.6	90.5	-	-273.9	-273.1	91.0	-	-275.4	-274.6	91.5	-	-276.9	-276.1	92.0	-	-278.4	-277.6	92.5	-	-279.9	-279.1	93.0	-	-281.4	-280.6	93.5	-	-282.9	-282.1	94.0	-	-284.4	-283.6	94.5	-	-285.9	-285.1	95.0	-	-287.4	-286.6	95.5	-	-288.9	-288.1	96.0	-	-290.4	-289.6	96.5	-	-291.9	-291.1	97.0	-	-293.4	-292.6	97.5	-	-294.9	-294.1	98.0	-	-296.4	-295.6	98.5	-	-297.9	-297.1	99.0	-	-299.4	-298.6	99.5	-	-300.9	-300.1	100.0	-	-302.4	-301.6	100.5	-	-303.9	-303.1	101.0	-	-305.4	-304.6	101.5	-	-306.9	-306.1	102.0	-	-308.4	-307.6	102.5	-	-309.9	-309.1	103.0	-	-311.4	-310.6	103.5	-	-312.9	-312.1	104.0	-	-314.4	-313.6	104.5	-	-315.9	-315.1	105.0	-	-317.4	-316.6	105.5	-	-318.9	-318.1	106.0	-	-320.4	-319.6	106.5	-	-321.9	-321.1	107.0	-	-323.4	-322.6	107.5	-	-324.9	-324.1	108.0	-	-326.4	-325.6	108.5	-	-327.9	-327.1	109.0	-	-329.4	-328.6	109.5	-	-330.9	-330.1	110.0	-	-332.4	-331.6	110.5	-	-333.9	-333.1	111.0	-	-335.4	-334.6	111.5	-	-336.9	-336.1	112.0	-	-338.4	-337.6	112.5	-	-339.9	-339.1	113.0	-	-341.4	-340.6	113.5	-	-342.9	-342.1	114.0	-	-344.4	-343.6	114.5	-	-345.9	-345.1	115.0	-	-347.4	-346.6	115.5	-	-348.9	-348.1	116.0	-	-350.4	-349.6	116.5	-	-351.9	-351.1	117.0	-	-353.4	-352.6	117.5	-	-354.9	-354.1	118.0	-	-356.4	-355.6	118.5	-	-357.9	-357.1	119.0	-	-359.4	-358.6	119.5	-	-360.9	-360.1	120.0	-	-362.4	-361.6	120.5	-	-363.9	-363.1	121.0	-	-365.4	-364.6	121.5	-	-366.9	-366.1	122.0	-	-368.4	-367.6	122.5	-	-369.9	-369.1	123.0	-	-371.4	-370.6	123.5	-	-372.9	-372.1	124.0	-	-374.4	-373.6	124.5	-	-375.9	-375.1	125.0	-	-377.4	-376.6	125.5	-	-378.9	-378.1	126.0	-	-380.4	-379.6	126.5	-	-381.9	-381.1	127.0	-	-383.4	-382.6	127.5	-	-384.9	-384.1	128.0	-	-386.4	-385.6	128.5	-	-387.9	-387.1	129.0	-	-389.4	-388.6	129.5	-	-390.9	-390.1	130.0	-	-392.4	-391.6	130.5	-	-393.9	-393.1	131.0	-	-395.4	-394.6	131.5	-	-396.9	-396.1	132.0	-	-398.4	-397.6	132.5	-	-399.9	-399.1	133.0	-	-401.4	-400.6	133.5	-	-402.9	-402.1	134.0	-	-404.4	-403.6	134.5	-	-405.9	-405.1	135.0	-	-407.4	-406.6	135.5	-	-408.9	-408.1	136.0	-	-410.4	-409.6	136.5	-	-411.9	-411.1	137.0	-	-413.4	-412.6	137.5	-	-414.9	-414.1	138.0	-	-416.4	-415.6	138.5	-	-417.9	-417.1	139.0	-	-419.4	-418.6	139.5	-	-420.9	-420.1	140.0	-	-422.4	-421.6	140.5	-	-423.9	-423.1	141.0	-	-425.4	-424.6	141.5	-	-426.9	-426.1	142.0	-	-428.4	-427.6	142.5	-	-429.9	-429.1	143.0	-	-431.4	-430.6	143.5	-	-432.9	-432.1	144.0	-	-434.4	-433.6	144.5	-	-435.9	-435.1	145.0	-	-437.4	-436.6	145.5	-	-438.9	-438.1	146.0	-	-440.4	-439.6	146.5	-	-441.9	-441.1	147.0	-	-443.4	-442.6	147.5	-	-444.9	-444.1	148.0	-	-446.4	-445.6	148.5	-	-447.9	-447.1	149.0	-	-449.4	-448.6	149.5	-	-450.9	-450.1	150.0	-	-452.4	-451.6	150.5	-	-453.9	-453.1	151.0	-	-455.4	-454.6	151.5	-	-456.9	-456.1	152.0	-	-458.4	-457.6	152.5	-	-459.9	-459.1	153.0	-	-461.4	-460.6	153.5	-	-462.9	-462.1	154.0	-	-464.4	-463.6	154.5	-	-465.9	-465.1	155.0	-	-467.4	-466.6	155.5	-	-468.9	-468.1	156.0	-	-470.4	-469.6	156.5	-	-471.9	-471.1	157.0	-	-473.4	-472.6	157.5	-	-474.9	-474.1	158.0	-	-476.4	-475.6	158.5	-	-477.9	-477.1	159.0	-	-479.4	-478.6	159.5	-	-480.9	-480.1	160.0	-	-482.4	-481.6	160.5	-	-483.9	-483.1	161.0	-	-485.4	-484.6	161.5	-	-486.9	-486.1	162.0	-	-48

COOLING PERFORMANCE DATA

GPC1524M41*

MODEL: GPC1524M41

EXPANDED PERFORMANCE DATA

COOLING OPERATION

Design Subcooling, 7 °F @ the liquid access fitting connection AHRJ 95 test conditions. Design Superheat 5°F @ the compressor suction access fitting connection.

IDB*	Airflow	Outdoor Ambient Temperature																													
		65					75					85					95					105					115				
		59	63	67	71	75	59	63	67	71	75	59	63	67	71	75	59	63	67	71	75	59	63	67	71	75	59	63	67	71	75
80	MBh	25.1	25.6	27.4	29.3	31.2	24.5	25.1	26.8	28.6	30.4	23.9	24.5	26.1	27.9	29.7	23.3	23.9	25.5	27.2	28.9	22.2	22.7	24.2	25.9	27.6	20.5	21.0	22.4	24.0	25.7
	ST	0.90	0.85	0.69	0.52	0.35	0.94	0.88	0.71	0.53	0.35	0.96	0.90	0.73	0.55	0.37	1.00	0.93	0.76	0.57	0.39	1.00	0.96	0.78	0.59	0.41	1.00	1.00	0.79	0.59	0.41
	Delta T	22	21	18	15	12	22	21	18	15	12	22	21	18	15	12	22	21	19	15	12	21	21	18	15	12	20	20	17	14	11
	KW	1.54	1.59	1.65	1.72	1.79	1.70	1.74	1.82	1.89	1.96	1.83	1.88	1.96	2.04	2.11	1.95	2.01	2.09	2.17	2.24	2.05	2.11	2.20	2.28	2.35	2.14	2.20	2.29	2.38	2.45
	AMPS	7.5	7.7	7.9	8.1	8.3	8.0	8.2	8.4	8.7	8.9	8.6	8.8	9.1	9.4	9.7	9.2	9.4	9.6	10.0	10.3	9.7	9.9	10.2	10.6	10.9	10.2	10.4	10.8	11.1	11.4
	HI PR	254	273	289	301	312	285	307	324	338	354	324	349	368	384	399	369	397	420	438	454	415	447	472	492	508	459	494	521	544	567
	LO PR	111	118	129	137	144	117	125	136	145	152	122	130	142	151	159	128	136	149	159	166	134	143	156	166	172	139	148	161	172	178
	MBh	24.4	24.9	26.6	28.4	30.2	23.8	24.3	26.0	27.8	29.6	23.2	23.7	25.4	27.1	28.9	22.7	23.2	24.7	26.5	28.3	21.5	22.0	23.5	25.1	26.8	19.9	20.4	21.8	23.3	24.9
	ST	0.86	0.81	0.66	0.49	0.32	0.89	0.84	0.68	0.51	0.34	0.92	0.86	0.70	0.52	0.35	0.94	0.89	0.72	0.54	0.37	0.98	0.92	0.75	0.56	0.39	0.99	0.93	0.75	0.56	0.39
	Delta T	23	22	19	15	12	23	22	19	15	12	23	22	19	15	12	23	22	19	15	12	23	22	19	15	12	22	21	18	14	11
85	KW	1.53	1.57	1.63	1.70	1.77	1.68	1.73	1.80	1.87	1.94	1.82	1.86	1.94	2.02	2.10	1.93	1.99	2.07	2.15	2.23	2.03	2.09	2.17	2.26	2.34	2.12	2.18	2.27	2.36	2.44
	AMPS	7.5	7.6	7.8	8.1	8.3	8.0	8.1	8.4	8.7	8.9	8.6	8.8	9.0	9.3	9.6	9.1	9.3	9.6	9.9	10.2	9.6	9.8	10.1	10.5	10.8	10.1	10.4	10.7	11.0	11.3
	HI PR	251	271	286	298	310	282	304	321	334	347	321	345	365	380	393	366	393	415	433	449	411	443	467	487	506	454	489	516	538	560
	LO PR	110	117	128	136	144	116	124	135	144	152	121	129	140	149	157	127	135	147	157	165	133	141	154	165	172	138	146	160	170	178
	MBh	22.5	23.0	24.6	26.3	28.0	22.0	22.4	24.0	25.6	27.2	21.4	21.9	23.4	25.0	26.6	20.9	21.4	22.8	24.4	26.0	19.9	20.3	21.7	23.2	24.8	18.4	18.8	20.1	21.5	23.0
	ST	0.83	0.78	0.63	0.47	0.30	0.86	0.81	0.66	0.49	0.32	0.88	0.83	0.67	0.50	0.33	0.91	0.85	0.70	0.52	0.35	0.95	0.89	0.72	0.54	0.37	0.95	0.89	0.73	0.54	0.37
	Delta T	23	22	19	15	12	23	22	19	16	12	23	22	19	16	12	24	23	20	16	12	23	22	19	15	12	22	21	18	14	11
	KW	1.48	1.52	1.58	1.65	1.72	1.63	1.67	1.74	1.81	1.88	1.76	1.81	1.88	1.96	2.03	1.87	1.93	2.00	2.08	2.15	1.97	2.03	2.11	2.19	2.26	2.06	2.11	2.20	2.29	2.36
	AMPS	7.3	7.4	7.6	7.9	8.1	7.8	8.0	8.2	8.4	8.6	8.4	8.5	8.8	9.1	9.4	8.9	9.1	9.3	9.6	9.9	9.4	9.6	9.9	10.2	10.5	9.9	10.1	10.4	10.8	11.1
	HI PR	244	262	277	289	301	274	295	311	324	336	311	335	354	369	382	355	382	403	420	439	399	429	453	473	493	441	474	501	522	542
LO PR	107	114	124	132	140	113	120	131	139	147	117	125	136	145	152	123	131	143	152	160	129	137	150	160	168	133	142	155	165	174	
85	MBh	25.5	26.0	27.3	29.1	30.9	24.9	25.4	26.6	28.4	30.2	24.4	24.8	26.0	27.7	29.4	23.8	24.2	25.4	27.1	28.8	22.6	23.0	24.1	25.7	27.3	20.9	21.3	22.3	23.8	25.3
	ST	0.95	0.91	0.82	0.67	0.50	0.98	0.95	0.85	0.69	0.52	1.00	0.97	0.88	0.71	0.54	1.00	1.00	0.90	0.73	0.56	1.00	1.00	0.94	0.76	0.59	1.00	1.00	0.95	0.77	0.60
	Delta T	23	23	22	19	16	24	23	22	19	16	23	23	22	19	16	23	23	22	19	16	22	22	22	19	16	20	20	20	18	15
	KW	1.56	1.60	1.67	1.74	1.81	1.72	1.76	1.83	1.91	1.98	1.85	1.90	1.98	2.06	2.14	1.97	2.03	2.11	2.19	2.27	2.08	2.13	2.22	2.31	2.39	2.16	2.22	2.31	2.41	2.50
	AMPS	7.6	7.7	7.9	8.2	8.4	8.1	8.3	8.5	8.8	9.0	8.7	8.9	9.2	9.5	9.8	9.2	9.4	9.7	10.1	10.4	9.8	10.0	10.3	10.6	10.9	10.3	10.5	10.8	11.2	11.5
	HI PR	257	276	292	304	316	288	310	327	341	354	327	352	372	388	401	373	401	424	442	459	419	451	477	497	514	463	499	527	549	571
	LO PR	112	119	130	139	147	119	126	138	147	155	123	131	143	152	160	129	138	150	160	168	136	144	158	168	176	140	149	163	174	182
	MBh	24.8	25.3	26.5	28.2	29.9	24.2	24.7	25.9	27.6	29.3	23.6	24.1	25.2	26.9	28.5	23.1	23.5	24.6	26.3	27.9	21.9	22.3	23.4	25.0	26.6	20.3	20.7	21.7	23.1	24.6
	ST	0.90	0.87	0.79	0.64	0.48	0.94	0.90	0.81	0.66	0.50	0.96	0.93	0.84	0.68	0.52	0.99	0.96	0.86	0.70	0.54	1.00	0.99	0.90	0.73	0.57	1.00	1.00	0.90	0.73	0.57
	Delta T	24	24	23	19	16	25	24	23	20	17	25	24	23	20	17	25	24	23	20	17	24	24	23	20	17	22	22	21	18	15
KW	1.54	1.59	1.65	1.72	1.79	1.70	1.74	1.82	1.89	1.96	1.83	1.88	1.96	2.04	2.11	1.95	2.01	2.09	2.17	2.24	2.05	2.11	2.20	2.28	2.35	2.14	2.20	2.29	2.38	2.45	
AMPS	7.5	7.7	7.9	8.1	8.3	8.0	8.2	8.4	8.7	8.9	8.6	8.8	9.1	9.4	9.7	9.2	9.4	9.6	10.0	10.3	9.7	9.9	10.2	10.6	10.9	10.2	10.4	10.8	11.1	11.4	
HI PR	254	273	289	301	312	285	307	324	338	354	324	349	368	384	399	369	397	420	438	454	415	447	472	492	508	459	494	521	544	567	
LO PR	111	118	129	137	144	117	125	136	145	152	122	130	142	151	159	128	136	149	159	166	134	143	156	166	172	139	148	161	172	178	
744	MBh	22.9	23.3	24.4	26.1	27.7	22.4	22.8	23.9	25.5	27.1	21.8	22.2	23.3	24.9	26.4	21.3	21.7	22.7	24.2	25.7	20.2	20.6	21.6	23.0	24.4	18.7	19.1	20.0	21.3	22.6
	ST	0.87	0.84	0.76	0.62	0.47	0.90	0.87	0.79	0.64	0.49	0.93	0.89	0.81	0.65	0.50	0.96	0.92	0.83	0.67	0.51	0.99	0.96	0.86	0.70	0.54	1.00	0.96	0.87	0.71	0.55
	Delta T	25	24	23	20	17	25	25	23	20	17	25	25	23	20	17	25	25	23	20	17	25	24	23	20	17	23	23	22	19	16
	KW	1.50	1.54	1.60	1.67	1.74	1.65	1.69	1.76	1.83	1.90	1.78	1.83	1.90	1.98	2.05	1.89	1.94	2.02	2.11	2.19	1.99	2.05	2.13	2.22	2.30	2.08	2.13	2.22	2.31	2.40
	AMPS	7.3	7.5	7.7	7.9	8.1	7.8	8.0	8.2	8.5	8.7	8.4	8.6	8.9	9.2	9.5	8.9	9.1	9.4	9.7	10.0	9.5	9.7	10.0	10.3	10.6	10.0	10.2	10.5	10.8	11.1
	HI PR	246	265	280	292	304	276	297	314	328	341	314	338	357	373	388	358	385	407	424	441	403	434	458	477	493	445	479	506	528	550
	LO PR	108	115	125	133	141	114	121	132	141	150	118	126	137	146	155	124	132	144	154	161	130	139	151	161	168	135	143	157	167	174

* Entering Indoor Dry Bulb Temperature

High and low pressures are measured at the liquid and suction access fittings.

NOTE: Shaded area is AHRJ Rating Conditions

KW = Total system power

AMPS: Unit amps (comp. + evaporator + condenser fan motors)

COOLING PERFORMANCE DATA

GPC1530M41*

EXPANDED PERFORMANCE DATA

EXPANDED PERFORMANCE DATA

EXPANDED PERFORMANCE DATA

Design Subcooling, 7 °F @ the liquid access fitting connection A/HRI 95 test conditions. Design Superheat 5°F @ the compressor suction access fitting connection.

IDB*	Airflow	Outdoor Ambient Temperature																													
		65					75					85					95					105					115				
		59	63	67	71	75	59	63	67	71	75	59	63	67	71	75	59	63	67	71	75	59	63	67	71	75	59	63	67	71	75
70	1181	MBh	27.9	28.9	31.7	-	27.3	28.3	31.0	-	26.6	27.6	30.2	-	26.0	26.9	29.5	-	24.7	25.6	28.0	-	22.8	23.7	25.9	-					
		S/T	0.73	0.61	0.42	-	0.76	0.63	0.44	-	0.78	0.65	0.45	-	0.80	0.67	0.46	-	0.83	0.69	0.48	-	0.84	0.70	0.49	-					
		Delta T	16	14	10	-	16	14	11	-	16	14	11	-	16	14	11	-	16	14	10	-	15	13	10	-					
		KW	1.72	1.76	1.83	-	1.89	1.94	2.01	-	2.03	2.09	2.17	-	2.16	2.22	2.31	-	2.27	2.33	2.42	-	2.37	2.43	2.52	-					
		AMPS	8.5	8.7	8.9	-	9.1	9.3	9.5	-	9.7	9.9	10.2	-	10.3	10.5	10.8	-	10.9	11.1	11.4	-	11.4	11.6	12.0	-					
	1050	HI PR	232	249	263	-	260	280	296	-	296	318	336	-	337	363	383	-	379	408	431	-	419	451	476	-					
		LO PR	108	115	125	-	114	121	132	-	118	126	137	-	124	132	144	-	130	139	151	-	135	143	157	-					
		MBh	27.1	28.1	30.8	-	26.5	27.4	30.1	-	26.8	26.8	29.3	-	25.2	26.1	28.6	-	23.9	24.8	27.2	-	22.2	23.0	25.2	-					
		S/T	0.70	0.58	0.40	-	0.72	0.60	0.42	-	0.74	0.62	0.43	-	0.76	0.64	0.44	-	0.79	0.66	0.46	-	0.80	0.67	0.46	-					
		Delta T	17	14	11	-	17	14	11	-	17	15	11	-	17	15	11	-	17	14	11	-	16	13	10	-					
919	KW	1.70	1.75	1.82	-	1.87	1.92	1.99	-	2.01	2.07	2.15	-	2.14	2.20	2.28	-	2.25	2.31	2.40	-	2.34	2.41	2.50	-						
	AMPS	8.5	8.6	8.9	-	9.0	9.2	9.5	-	9.7	9.9	10.1	-	10.2	10.4	10.7	-	10.8	11.0	11.3	-	11.3	11.6	11.9	-						
	HI PR	230	247	261	-	258	277	293	-	293	315	333	-	334	359	379	-	375	404	426	-	415	446	471	-						
	LO PR	107	114	124	-	113	120	131	-	117	125	136	-	123	131	143	-	129	137	150	-	133	142	155	-						
	MBh	25.0	25.9	28.4	-	24.4	25.3	27.7	-	23.8	24.7	27.1	-	23.3	24.1	26.4	-	22.1	22.9	25.1	-	20.5	21.2	23.2	-						
75	1181	S/T	0.67	0.56	0.39	-	0.70	0.58	0.40	-	0.71	0.60	0.41	-	0.74	0.62	0.43	-	0.77	0.64	0.44	-	0.77	0.64	0.45	-					
		Delta T	17	15	11	-	17	15	11	-	17	15	11	-	17	15	11	-	17	15	11	-	16	14	10	-					
		KW	1.65	1.70	1.76	-	1.81	1.86	1.93	-	1.95	2.00	2.08	-	2.08	2.13	2.22	-	2.18	2.24	2.33	-	2.27	2.33	2.43	-					
		AMPS	8.3	8.5	8.7	-	8.8	9.0	9.2	-	9.4	9.6	9.9	-	10.0	10.2	10.5	-	10.5	10.7	11.0	-	11.0	11.3	11.6	-					
		HI PR	223	240	253	-	250	269	284	-	284	306	323	-	324	348	368	-	364	392	414	-	402	433	457	-					
	1050	LO PR	104	110	120	-	109	116	127	-	114	121	132	-	119	127	139	-	125	133	145	-	129	138	150	-					
		MBh	28.4	29.2	31.6	33.9	27.7	28.5	30.9	33.2	27.1	27.9	30.2	32.4	26.4	27.2	29.4	31.6	25.1	25.8	28.0	30.0	23.2	23.9	25.9	27.8					
		S/T	0.83	0.74	0.56	0.36	0.86	0.77	0.58	0.37	0.88	0.79	0.60	0.38	0.91	0.81	0.62	0.40	0.95	0.85	0.64	0.41	0.95	0.85	0.65	0.42					
		Delta T	18	17	14	10	19	17	14	10	19	17	14	10	19	17	14	10	18	17	14	10	17	16	13	9					
		KW	1.74	1.78	1.85	1.93	1.90	1.96	2.03	2.11	2.05	2.11	2.19	2.28	2.18	2.24	2.33	2.42	2.29	2.36	2.45	2.55	2.39	2.45	2.55	2.65					
919	AMPS	8.6	8.8	9.0	9.3	9.2	9.3	9.6	9.9	9.8	10.0	10.3	10.6	10.4	10.6	10.9	11.2	10.9	11.2	11.5	11.9	11.5	11.7	12.1	12.5						
	HI PR	234	252	266	278	263	283	299	311	299	322	340	354	340	366	387	403	383	412	435	454	423	455	481	501						
	LO PR	109	116	126	135	115	122	134	142	120	127	139	148	126	134	146	155	132	140	153	163	136	145	158	168						
	MBh	27.6	28.4	30.7	33.0	26.9	27.7	30.0	32.2	26.3	27.0	29.3	31.4	25.6	26.4	28.6	30.7	24.3	25.1	27.1	29.1	22.6	23.2	25.1	27.0						
	S/T	0.79	0.71	0.54	0.35	0.82	0.73	0.56	0.36	0.84	0.75	0.57	0.37	0.87	0.78	0.59	0.38	0.90	0.81	0.61	0.39	0.91	0.81	0.62	0.40						
75	1050	Delta T	19	18	14	10	19	18	15	10	19	18	15	10	20	18	15	10	19	18	15	10	18	17	14	9					
		KW	1.72	1.77	1.83	1.91	1.89	1.94	2.01	2.09	2.03	2.09	2.17	2.26	2.16	2.22	2.31	2.40	2.27	2.33	2.42	2.52	2.37	2.43	2.53	2.63					
		AMPS	8.5	8.7	8.9	9.2	9.1	9.3	9.5	9.8	9.7	9.9	10.2	10.5	10.3	10.5	10.8	11.2	10.9	11.1	11.4	11.8	11.4	11.6	12.0	12.4					
		HI PR	232	249	263	275	260	280	296	308	296	318	336	351	337	363	383	399	379	408	431	449	419	451	476	496					
		LO PR	108	115	125	133	114	121	132	141	118	126	138	146	124	132	144	154	130	139	151	161	135	143	157	167					
	919	MBh	25.4	26.2	28.3	30.4	24.8	25.6	27.7	29.7	24.2	25.0	27.0	29.0	23.7	24.4	26.4	28.3	22.5	23.1	25.0	26.9	20.8	21.4	23.2	24.9					
		S/T	0.76	0.68	0.52	0.33	0.79	0.71	0.54	0.34	0.81	0.73	0.55	0.35	0.84	0.75	0.57	0.36	0.87	0.78	0.59	0.38	0.88	0.78	0.59	0.38					
		Delta T	19	18	15	10	20	18	15	10	20	18	15	10	20	18	15	10	20	18	15	10	18	17	14	10					
		KW	1.67	1.71	1.78	1.85	1.83	1.88	1.95	2.03	1.97	2.02	2.10	2.19	2.10	2.15	2.24	2.33	2.20	2.26	2.35	2.45	2.30	2.36	2.45	2.55					
		AMPS	8.4	8.5	8.7	9.0	8.9	9.1	9.3	9.6	9.5	9.7	10.0	10.3	10.1	10.3	10.6	10.9	10.6	10.8	11.1	11.5	11.1	11.4	11.7	12.1					
919	HI PR	225	242	256	267	252	272	287	299	287	309	326	340	327	352	371	387	368	396	418	436	406	437	462	482						
	LO PR	105	111	121	129	110	118	128	137	115	122	133	142	121	128	140	149	126	134	147	156	131	139	152	162						

NOTE: Shaded area is ACCA (TVA) conditions

* IDB: Entering Indoor Dry Bulb Temperature
High and low pressures are measured at the liquid and suction access fittings.

COOLING PERFORMANCE DATA

GPC1530M41*

MODEL: GPC1530M41

EXPANDED PERFORMANCE DATA

COOLING OPERATION

Design Subcooling, 7 °F @ the liquid access fitting connection AHRI 95 test conditions. Design Superheat 5°F @ the compressor suction access fitting connection.

IDB*	Airflow	Outdoor Ambient Temperature																							
		65				75				85				95				105				115			
		59	63	67	71	59	63	67	71	59	63	67	71	59	63	67	71	59	63	67	71	59	63	67	71
80	MBh	28.9	29.5	31.5	33.7	28.2	28.8	30.8	32.9	27.5	28.1	30.1	32.1	26.9	27.5	29.3	31.4	25.5	26.1	27.9	29.8	23.6	24.2	25.8	27.6
	S/T	0.91	0.85	0.70	0.52	0.94	0.89	0.72	0.54	0.97	0.91	0.74	0.55	1.00	0.94	0.76	0.57	1.00	1.00	0.79	0.59	1.00	1.00	0.80	0.60
	Delta T	20	20	17	14	21	20	17	14	21	20	17	14	21	20	17	14	20	20	17	14	18	19	16	13
	KW	1.75	1.80	1.87	1.95	1.92	1.97	2.05	2.13	2.07	2.13	2.21	2.30	2.21	2.26	2.35	2.45	2.32	2.38	2.47	2.57	2.41	2.48	2.58	2.68
	AMPS	8.7	8.8	9.1	9.3	9.2	9.4	9.7	10.0	9.9	10.1	10.4	10.7	10.5	10.7	11.0	11.3	11.0	11.3	11.6	12.0	11.6	11.8	12.2	12.6
	HI PR	237	255	269	280	265	286	302	315	302	325	343	358	344	370	391	407	387	416	440	458	427	460	486	506
	LO PR	110	117	128	136	116	124	135	144	121	129	140	149	127	135	147	157	133	141	154	164	138	146	160	170
	MBh	28.0	28.7	30.6	32.7	27.4	28.0	29.9	32.0	26.7	27.3	29.2	31.2	26.1	26.7	28.5	30.4	24.8	25.3	27.1	28.9	23.0	23.5	25.1	26.8
	S/T	0.87	0.81	0.66	0.50	0.90	0.84	0.69	0.51	0.92	0.87	0.70	0.53	0.95	0.89	0.73	0.54	0.99	0.93	0.76	0.56	1.00	0.94	0.76	0.57
	Delta T	21	20	18	14	22	21	18	14	22	21	18	14	22	21	18	14	21	21	18	14	20	19	17	13
919	KW	1.74	1.78	1.85	1.93	1.90	1.96	2.03	2.11	2.05	2.11	2.19	2.28	2.18	2.24	2.33	2.42	2.29	2.36	2.45	2.55	2.39	2.45	2.55	2.65
	AMPS	8.6	8.8	9.0	9.3	9.2	9.3	9.6	9.9	9.8	10.0	10.3	10.6	10.4	10.6	10.9	11.2	10.9	11.2	11.5	11.9	11.5	11.7	12.1	12.5
	HI PR	234	252	266	278	263	283	299	311	299	322	340	354	340	366	387	403	383	412	435	454	423	455	481	501
	LO PR	109	116	126	135	115	122	134	142	120	127	139	148	126	134	146	155	132	140	153	163	136	145	158	168
	MBh	25.9	26.4	28.3	30.2	25.3	25.8	27.6	29.5	24.7	25.2	26.9	28.8	24.1	24.6	26.3	28.1	22.9	23.4	25.0	26.7	21.2	21.7	23.1	24.7
	S/T	0.84	0.79	0.64	0.48	0.87	0.81	0.66	0.50	0.89	0.83	0.68	0.51	0.92	0.86	0.70	0.52	0.95	0.89	0.73	0.54	0.96	0.90	0.73	0.55
	Delta T	22	21	18	14	22	21	18	15	22	21	18	15	22	21	18	15	22	21	18	15	20	20	17	14
	KW	1.68	1.73	1.80	1.87	1.85	1.90	1.97	2.05	1.99	2.04	2.12	2.21	2.12	2.17	2.26	2.35	2.23	2.29	2.38	2.47	2.32	2.38	2.47	2.57
	AMPS	8.4	8.6	8.8	9.1	9.0	9.1	9.4	9.7	9.6	9.8	10.1	10.4	10.1	10.3	10.6	11.0	10.7	10.9	11.2	11.6	11.2	11.5	11.8	12.2
	HI PR	227	244	258	269	255	274	290	302	290	312	329	344	330	355	375	391	371	400	422	440	410	442	466	486
LO PR	106	112	123	131	112	119	130	138	116	123	135	143	122	130	142	151	128	136	148	158	132	141	153	163	
85	MBh	29.4	30.0	31.4	33.5	28.7	29.3	30.6	32.7	28.0	28.6	29.9	31.9	27.3	27.9	29.2	31.1	26.0	26.5	27.7	29.6	24.1	24.5	25.7	27.4
	S/T	0.96	0.92	0.83	0.67	0.99	0.96	0.86	0.70	1.00	0.98	0.88	0.72	1.00	1.00	0.91	0.74	1.00	1.00	0.95	0.77	1.00	1.00	0.95	0.77
	Delta T	22	21	20	18	22	22	21	18	22	22	21	18	21	22	21	18	20	21	20	18	19	19	19	17
	KW	1.77	1.82	1.89	1.97	1.94	1.99	2.07	2.16	2.09	2.15	2.23	2.32	2.23	2.29	2.38	2.47	2.34	2.40	2.50	2.60	2.44	2.50	2.60	2.71
	AMPS	8.7	8.9	9.1	9.4	9.3	9.5	9.7	10.1	10.0	10.2	10.5	10.8	10.5	10.8	11.1	11.4	11.1	11.4	11.7	12.1	11.7	11.9	12.3	12.7
	HI PR	239	257	271	283	268	288	305	318	305	328	346	361	347	374	395	412	391	420	444	463	432	464	490	512
	LO PR	111	118	129	137	117	125	136	145	122	130	142	151	128	136	149	159	134	143	156	166	139	148	161	172
	MBh	28.5	29.1	30.5	32.5	27.9	28.4	29.8	31.7	27.2	27.7	29.0	31.0	26.5	27.1	28.3	30.2	25.2	25.7	26.9	28.7	23.4	23.8	24.9	26.6
	S/T	0.91	0.88	0.79	0.64	0.94	0.91	0.82	0.67	0.97	0.93	0.84	0.68	1.00	0.96	0.87	0.71	1.00	1.00	0.90	0.73	1.00	1.00	0.91	0.74
	Delta T	23	22	21	18	23	23	21	19	23	23	21	19	23	23	22	19	22	23	21	18	20	21	20	17
KW	1.75	1.80	1.87	1.95	1.92	1.97	2.05	2.13	2.07	2.13	2.21	2.30	2.21	2.26	2.35	2.45	2.32	2.38	2.47	2.57	2.41	2.48	2.58	2.68	
AMPS	8.7	8.8	9.1	9.3	9.2	9.4	9.7	10.0	9.9	10.1	10.4	10.7	10.5	10.7	11.0	11.3	11.0	11.3	11.6	12.0	11.6	11.8	12.2	12.6	
HI PR	237	255	269	280	265	286	302	315	302	325	343	358	344	370	391	407	387	416	440	458	427	460	486	506	
LO PR	110	117	128	136	116	124	135	144	121	129	140	149	127	135	147	157	133	141	154	164	138	146	160	170	
MBh	26.3	26.8	28.1	30.0	25.7	26.2	27.5	29.3	25.1	25.6	26.8	28.6	24.5	25.0	26.2	27.9	23.3	23.7	24.8	26.5	21.6	22.0	23.0	24.6	
S/T	0.88	0.85	0.76	0.62	0.91	0.88	0.79	0.64	0.93	0.90	0.81	0.66	0.96	0.93	0.84	0.68	1.00	0.96	0.87	0.71	1.00	0.97	0.88	0.71	
Delta T	23	23	22	19	23	23	22	19	23	23	22	19	24	23	22	19	23	23	22	19	22	21	20	18	
KW	1.70	1.75	1.82	1.89	1.87	1.92	1.99	2.07	2.01	2.06	2.15	2.23	2.14	2.20	2.28	2.37	2.25	2.31	2.40	2.49	2.34	2.40	2.50	2.60	
AMPS	8.5	8.6	8.9	9.1	9.0	9.2	9.5	9.7	9.7	9.9	10.1	10.4	10.2	10.4	10.7	11.1	10.8	11.0	11.3	11.7	11.3	11.6	11.9	12.3	
HI PR	229	247	261	272	257	277	293	305	293	315	333	347	333	359	379	395	375	404	426	445	415	446	471	491	
LO PR	107	114	124	132	113	120	131	139	117	125	136	145	123	131	143	152	129	137	150	160	133	142	155	165	

* Entering Indoor Dry Bulb Temperature

High and low pressures are measured at the liquid and suction access fittings.

KW = Total system power

AMPS: Unit amps (comp. + evaporator + condenser fan motors)

COOLING PERFORMANCE DATA

GPC1536M41*

MODEL: GPC1536M41

EXPANDED PERFORMANCE DATA

COOLING OPERATION

Design Subcooling, 7 °F @ the liquid access fitting connection AHRJ 95 test conditions. Design Superheat 5°F @ the compressor suction access fitting connection.

IDB*	Airflow	Outdoor Ambient Temperature																													
		65					75					85					95					105					115				
		59	63	67	71	75	59	63	67	71	75	59	63	67	71	75	59	63	67	71	75	59	63	67	71	75	59	63	67	71	75
80	MBh	36.8	37.6	40.2	43.0	46.0	36.0	36.8	39.3	42.0	45.1	35.1	35.9	38.4	41.0	44.3	34.3	35.0	37.4	40.0	43.4	32.6	33.3	35.5	38.0	41.6	30.2	30.8	32.9	35.2	38.6
	ST	0.89	0.84	0.68	0.51	0.33	0.93	0.87	0.71	0.53	0.33	0.95	0.89	0.72	0.54	0.33	1.00	0.92	0.75	0.56	0.33	1.00	0.95	0.78	0.58	0.33	1.00	0.96	0.78	0.59	0.33
	Delta T	23	22	19	16	12	24	23	20	16	12	24	23	20	16	12	24	23	20	16	12	23	23	20	16	12	21	21	18	15	11
	KW	2.25	2.30	2.39	2.49	2.65	2.46	2.53	2.62	2.73	2.89	2.65	2.72	2.83	2.94	3.12	2.82	2.89	3.01	3.12	3.28	2.96	3.04	3.16	3.28	3.46	3.08	3.16	3.29	3.42	3.60
	AMPS	11.0	11.2	11.5	11.8	12.2	11.7	11.9	12.2	12.6	13.1	12.5	12.8	13.1	13.5	14.0	13.2	13.5	13.9	14.3	14.7	14.0	14.3	14.7	15.1	15.5	14.7	15.0	15.4	15.9	16.3
	HI PR	242	260	275	286	298	271	292	308	321	336	308	332	351	366	383	351	378	399	416	434	395	425	449	468	488	437	470	496	518	542
	LO PR	112	119	130	138	146	118	125	137	146	152	122	130	142	152	162	129	137	149	159	167	135	143	157	167	177	139	148	162	173	183
	MBh	35.8	36.6	39.0	41.7	44.5	34.9	35.7	38.1	40.8	43.6	34.1	34.9	37.2	39.8	42.6	33.3	34.0	36.3	38.8	41.6	31.6	32.3	34.5	36.9	39.7	29.3	29.9	32.0	34.2	37.0
	ST	0.85	0.80	0.65	0.49	0.33	0.88	0.83	0.67	0.50	0.33	0.91	0.85	0.69	0.52	0.33	0.93	0.88	0.71	0.53	0.33	0.97	0.91	0.74	0.55	0.33	0.98	0.92	0.75	0.56	0.33
	Delta T	24	23	20	16	12	25	24	21	16	12	25	24	21	16	12	25	24	21	17	12	25	23	20	16	12	23	22	19	15	11
KW	2.22	2.28	2.37	2.46	2.55	2.44	2.50	2.60	2.70	2.80	2.62	2.69	2.80	2.91	3.02	2.79	2.86	2.98	3.09	3.20	2.93	3.01	3.13	3.25	3.37	3.05	3.13	3.26	3.39	3.52	
AMPS	10.9	11.1	11.4	11.7	12.1	11.6	11.8	12.1	12.5	12.9	12.4	12.7	13.0	13.4	13.8	13.1	13.4	13.8	14.2	14.6	13.9	14.1	14.6	15.0	15.4	14.6	14.9	15.3	15.8	16.2	
HI PR	239	258	272	284	296	269	289	305	318	331	305	329	347	362	377	348	374	395	412	429	391	421	445	464	483	432	465	491	512	534	
LO PR	110	117	128	137	146	117	124	136	144	152	121	129	141	150	159	127	136	148	158	168	133	142	155	165	175	138	147	160	171	181	
1006	MBh	33.0	33.7	36.0	38.5	41.0	32.2	33.0	35.2	37.6	40.1	31.5	32.2	34.4	36.7	39.2	30.7	31.4	33.5	35.8	38.3	29.2	29.8	31.9	34.0	36.5	27.0	27.6	29.5	31.5	34.0
	ST	0.82	0.77	0.63	0.47	0.31	0.85	0.80	0.65	0.49	0.31	0.87	0.82	0.67	0.50	0.31	0.90	0.85	0.69	0.51	0.31	0.94	0.88	0.71	0.53	0.31	0.94	0.88	0.72	0.54	0.31
	Delta T	25	24	21	17	13	25	24	21	17	13	25	24	21	17	13	25	24	21	17	13	25	24	21	17	13	23	22	19	16	12
	KW	2.16	2.21	2.30	2.39	2.48	2.36	2.43	2.52	2.62	2.71	2.55	2.61	2.72	2.82	2.92	2.71	2.78	2.89	3.00	3.10	2.84	2.92	3.03	3.15	3.26	2.96	3.04	3.16	3.28	3.40
	AMPS	10.6	10.8	11.1	11.5	11.9	11.3	11.6	11.9	12.2	12.6	12.1	12.4	12.7	13.1	13.5	12.8	13.1	13.5	13.9	14.3	13.5	13.8	14.2	14.7	15.1	14.2	14.5	14.9	15.4	15.8
	HI PR	232	250	264	275	286	260	280	296	309	321	296	319	337	351	365	337	363	383	400	415	380	409	431	450	469	419	451	477	497	517
	LO PR	107	114	124	133	141	113	120	131	140	149	118	125	137	146	155	124	131	144	153	162	129	138	150	160	170	134	142	156	166	176
	MBh	37.5	38.2	40.0	42.7	45.4	36.6	37.3	39.1	41.7	44.4	35.7	36.4	38.2	40.7	43.4	34.9	35.5	37.2	39.7	42.4	33.1	33.8	35.4	37.7	40.4	30.7	31.3	32.8	35.0	37.2
	ST	0.94	0.90	0.82	0.66	0.50	0.97	0.94	0.85	0.69	0.50	1.00	0.96	0.87	0.70	0.50	1.00	0.99	0.89	0.73	0.50	1.00	1.00	0.93	0.75	0.50	1.00	1.00	0.94	0.76	0.50
	Delta T	25	25	23	20	16	25	25	23	20	16	25	25	24	20	16	25	25	24	20	16	24	24	23	20	16	22	22	22	19	15
KW	2.27	2.33	2.42	2.51	2.60	2.48	2.55	2.65	2.76	2.85	2.68	2.75	2.85	2.97	3.06	2.85	2.92	3.04	3.16	3.25	2.99	3.07	3.19	3.32	3.41	3.11	3.20	3.32	3.45	3.54	
AMPS	11.0	11.3	11.6	11.9	12.2	11.8	12.0	12.3	12.7	13.0	12.6	12.9	13.2	13.7	14.0	13.3	13.6	14.0	14.5	14.8	14.1	14.4	14.8	15.3	15.6	14.8	15.1	15.6	16.1	16.5	
HI PR	244	263	277	289	299	274	295	311	325	338	312	335	354	369	383	355	382	403	421	436	399	430	454	473	491	441	475	501	523	541	
LO PR	113	120	131	139	146	119	127	138	147	155	124	132	144	153	162	130	138	151	161	170	136	145	158	168	177	141	150	164	174	183	
85	MBh	36.4	37.1	38.9	41.5	44.1	35.5	36.2	38.0	40.5	43.0	34.7	35.4	37.0	39.5	42.0	33.9	34.5	36.1	38.6	41.1	32.2	32.8	34.3	36.6	39.1	29.8	30.4	31.8	33.9	36.0
	ST	0.89	0.86	0.78	0.63	0.48	0.93	0.89	0.81	0.65	0.48	0.95	0.92	0.83	0.67	0.48	0.98	0.95	0.85	0.69	0.48	1.00	0.98	0.89	0.72	0.48	1.00	0.99	0.89	0.72	0.48
	Delta T	26	26	24	21	17	26	26	24	21	17	26	26	24	21	17	27	26	25	21	17	26	26	24	21	17	24	24	23	20	16
	KW	2.25	2.30	2.39	2.49	2.58	2.46	2.53	2.62	2.73	2.82	2.65	2.72	2.83	2.94	3.03	2.82	2.89	3.01	3.12	3.21	2.96	3.04	3.16	3.28	3.37	3.08	3.16	3.29	3.42	3.51
	AMPS	11.0	11.2	11.5	11.8	12.1	11.7	11.9	12.2	12.6	12.9	12.5	12.8	13.1	13.5	13.8	13.2	13.5	13.9	14.3	14.6	14.0	14.3	14.7	15.1	15.4	14.7	15.0	15.4	15.9	16.2
	HI PR	242	260	275	286	296	271	292	308	321	332	308	332	351	366	381	351	378	399	416	431	395	425	449	468	483	437	470	496	518	534
	LO PR	112	119	130	138	146	118	125	137	146	154	122	130	142	152	162	129	137	149	159	169	135	143	157	167	177	139	148	162	173	183
	MBh	33.6	34.2	35.9	38.3	40.7	32.8	33.4	35.0	37.4	40.0	32.0	32.6	34.2	36.5	39.0	31.2	31.9	33.4	35.6	38.1	29.7	30.3	31.7	33.8	36.3	27.5	28.0	29.4	31.3	33.2
	ST	0.86	0.83	0.75	0.61	0.46	0.89	0.86	0.78	0.63	0.46	0.92	0.88	0.80	0.65	0.46	0.94	0.91	0.82	0.67	0.46	0.98	0.95	0.85	0.69	0.46	0.99	0.95	0.86	0.70	0.46
	Delta T	26	26	25	21	17	27	26	25	22	18	27	26	25	22	18	27	27	25	22	18	27	26	25	21	17	25	24	23	20	16
KW	2.18	2.24	2.32	2.42	2.51	2.39	2.45	2.55	2.65	2.74	2.57	2.64	2.74	2.85	2.95	2.73	2.81	2.92	3.03	3.13	2.87	2.95	3.06	3.19	3.29	2.99	3.07	3.19	3.32	3.42	
AMPS	10.7	10.9	11.2	11.6	11.9	11.4	11.6	12.0	12.3	12.6	12.2	12.5	12.8	13.2	13.5	12.9	13.2	13.6	14.0	14.3	13.6	13.9	14.3	14.8	15.1	14.3	14.6	15.1	15.5	15.8	
HI PR	234	252	266	278	288	263	283	299	312	322	299	322	340	356	371	341	367	387	404	419	383	413	436	454	471	424	456	481	502	519	
LO PR	108	115	126	134	141	114	122	133	141	149	119	126	138	147	156	125	133	145	154	163	131	139	152	162	171	135	144	157	167	176	

* Entering Indoor Dry Bulb Temperature

High and low pressures are measured at the liquid and suction access fittings.

KW = Total system power

COOLING PERFORMANCE DATA

GPC1542M41*

EXPANDED PERFORMANCE DATA

EXPANDED PERFORMANCE DATA

EXPANDED PERFORMANCE DATA

Design Subcooling, 7 °F @ the liquid access fitting connection AHRI 95 test conditions. Design Superheat 5°F @ the compressor suction access fitting connection.

IDB*	Airflow	Outdoor Ambient Temperature																								
		65				75				85				95				105				115				
		59	63	67	71	59	63	67	71	59	63	67	71	59	63	67	71	59	63	67	71	59	63	67	71	
70	1519	MBh	41.2	42.7	46.8	-	40.2	41.7	45.7	-	39.3	40.7	44.6	-	38.3	39.7	43.5	-	36.4	37.7	41.3	-	33.7	35.0	38.3	-
		S/T	0.73	0.61	0.42	-	0.76	0.63	0.44	-	0.78	0.65	0.45	-	0.80	0.67	0.46	-	0.83	0.70	0.48	-	0.84	0.70	0.49	-
	Delta T	18	16	12	-	18	16	12	-	19	16	12	-	19	16	12	-	18	16	12	-	17	15	11	-	
	KW	2.49	2.56	2.66	-	2.73	2.80	2.91	-	2.94	3.02	3.13	-	3.12	3.21	3.33	-	3.28	3.37	3.50	-	3.42	3.51	3.65	-	
	AMPS	12.1	12.4	12.7	-	12.9	13.2	13.6	-	13.9	14.2	14.6	-	14.7	15.0	15.4	-	15.5	15.8	16.3	-	16.3	16.7	17.1	-	
	HI PR	239	257	271	-	268	288	305	-	305	328	346	-	347	374	394	-	390	420	444	-	431	464	490	-	
	LO PR	112	119	130	-	118	126	137	-	123	131	143	-	129	137	150	-	135	144	157	-	140	149	163	-	
	MBh	40.0	41.5	45.4	-	39.1	40.5	44.4	-	38.1	39.5	43.3	-	37.2	38.6	42.3	-	35.3	36.6	40.1	-	32.7	33.9	37.2	-	
	S/T	0.70	0.58	0.40	-	0.72	0.60	0.42	-	0.74	0.62	0.43	-	0.77	0.64	0.44	-	0.80	0.66	0.46	-	0.80	0.67	0.46	-	
	Delta T	19	16	12	-	19	17	13	-	19	17	13	-	19	17	13	-	19	17	13	-	18	15	12	-	
1181	1350	KW	2.47	2.53	2.63	-	2.70	2.77	2.88	-	2.91	2.99	3.10	-	3.09	3.18	3.30	-	3.25	3.34	3.47	-	3.39	3.47	3.61	-
		AMPS	12.0	12.3	12.6	-	12.8	13.1	13.5	-	13.8	14.1	14.5	-	14.6	14.9	15.3	-	15.4	15.7	16.2	-	16.2	16.5	17.0	-
	HI PR	236	254	269	-	265	286	301	-	302	325	343	-	344	370	391	-	387	416	439	-	427	460	485	-	
	LO PR	111	118	129	-	117	125	136	-	122	129	141	-	128	136	148	-	134	143	156	-	139	147	161	-	
	MBh	36.9	38.3	41.9	-	36.1	37.4	41.0	-	35.2	36.5	40.0	-	34.3	35.6	39.0	-	32.6	33.8	37.1	-	30.2	31.3	34.3	-	
	S/T	0.67	0.56	0.39	-	0.70	0.58	0.40	-	0.72	0.60	0.41	-	0.74	0.62	0.43	-	0.77	0.64	0.44	-	0.77	0.65	0.45	-	
	Delta T	19	17	13	-	20	17	13	-	20	17	13	-	20	17	13	-	19	17	13	-	18	16	12	-	
	KW	2.39	2.46	2.55	-	2.62	2.69	2.80	-	2.82	2.90	3.01	-	3.00	3.08	3.20	-	3.15	3.24	3.36	-	3.28	3.37	3.50	-	
	AMPS	11.8	12.0	12.3	-	12.5	12.8	13.2	-	13.4	13.7	14.1	-	14.2	14.5	14.9	-	15.0	15.3	15.8	-	15.8	16.1	16.6	-	
	HI PR	229	247	261	-	257	277	292	-	293	315	333	-	333	359	379	-	375	404	426	-	414	446	471	-	
LO PR	108	114	125	-	114	121	132	-	118	126	137	-	124	132	144	-	130	138	151	-	134	143	156	-		

IDB*	Airflow	Outdoor Ambient Temperature																								
		65				75				85				95				105				115				
		59	63	67	71	59	63	67	71	59	63	67	71	59	63	67	71	59	63	67	71	59	63	67	71	
75	1519	MBh	41.9	43.1	46.7	50.1	40.9	42.1	45.6	48.9	39.9	41.1	44.5	47.8	39.0	40.1	43.4	46.6	37.0	38.1	41.3	44.3	34.3	35.3	38.2	41.0
		S/T	0.83	0.74	0.56	0.36	0.86	0.77	0.58	0.38	0.88	0.79	0.60	0.39	0.91	0.82	0.62	0.40	0.95	0.85	0.64	0.41	0.96	0.85	0.65	0.42
	Delta T	21	19	16	11	21	20	16	11	21	20	16	11	22	20	16	11	21	20	16	11	20	18	15	10	
	KW	2.51	2.58	2.68	2.79	2.76	2.83	2.94	3.06	2.97	3.05	3.17	3.29	3.16	3.24	3.37	3.50	3.32	3.40	3.54	3.68	3.45	3.54	3.68	3.83	
	AMPS	12.2	12.5	12.8	13.2	13.0	13.3	13.7	14.1	14.0	14.3	14.7	15.2	14.8	15.1	15.6	16.1	15.6	16.0	16.4	17.0	16.4	16.8	17.3	17.9	
	HI PR	241	260	274	286	271	291	308	321	308	331	350	365	351	377	398	416	394	425	448	468	436	469	495	517	
	LO PR	113	120	131	140	119	127	139	148	124	132	144	154	130	139	151	161	137	145	159	169	141	150	164	175	
	MBh	40.7	41.9	45.3	48.7	39.7	40.9	44.3	47.5	38.8	39.9	43.2	46.4	37.8	39.0	42.2	45.3	35.9	37.0	40.1	43.0	33.3	34.3	37.1	39.8	
	S/T	0.79	0.71	0.54	0.35	0.82	0.74	0.56	0.36	0.84	0.75	0.57	0.37	0.87	0.78	0.59	0.38	0.90	0.81	0.61	0.39	0.91	0.82	0.62	0.40	
	Delta T	22	20	17	11	22	21	17	12	22	21	17	12	22	21	17	12	22	20	17	12	21	19	16	11	
1181	1350	KW	2.49	2.56	2.66	2.76	2.73	2.80	2.91	3.03	2.94	3.02	3.14	3.26	3.13	3.21	3.33	3.47	3.28	3.37	3.50	3.64	3.42	3.51	3.65	3.79
		AMPS	12.1	12.4	12.7	13.1	12.9	13.2	13.6	14.0	13.9	14.2	14.6	15.0	14.7	15.0	15.4	15.9	15.5	15.8	16.3	16.8	16.3	16.7	17.1	17.7
	HI PR	239	257	271	283	268	288	305	318	305	328	346	361	347	374	395	411	391	420	444	463	432	464	490	511	
	LO PR	112	119	130	138	118	126	137	146	123	131	143	152	129	137	150	160	135	144	157	167	140	149	163	173	
	MBh	37.5	38.7	41.8	44.9	36.7	37.8	40.9	43.9	35.8	36.9	39.9	42.8	34.9	36.0	38.9	41.8	33.2	34.2	37.0	39.7	30.7	31.6	34.3	36.8	
	S/T	0.77	0.68	0.52	0.33	0.79	0.71	0.54	0.35	0.81	0.73	0.55	0.35	0.84	0.75	0.57	0.37	0.87	0.78	0.59	0.38	0.88	0.79	0.59	0.38	
	Delta T	22	21	17	12	23	21	17	12	23	21	17	12	23	21	17	12	23	21	17	12	21	19	16	11	
	KW	2.42	2.48	2.58	2.68	2.65	2.72	2.82	2.94	2.85	2.93	3.04	3.16	3.03	3.11	3.23	3.36	3.19	3.27	3.40	3.53	3.32	3.41	3.54	3.68	
	AMPS	11.9	12.1	12.4	12.8	12.6	12.9	13.3	13.7	13.6	13.8	14.2	14.7	14.3	14.6	15.1	15.6	15.1	15.4	15.9	16.4	15.9	16.2	16.7	17.3	
	HI PR	232	249	263	275	260	280	295	308	296	318	336	350	337	362	383	399	379	408	431	449	419	450	476	496	
LO PR	109	116	126	134	115	122	133	142	119	127	139	148	125	133	145	155	131	140	152	162	136	144	158	168		

* IDB: Entering Indoor Dry Bulb Temperature

High and low pressures are measured at the liquid and suction access fittings.

NOTE: Shaded area is ACCA (TVA) conditions

COOLING PERFORMANCE DATA

GPC1542M41*

MODEL: GPC1542M41

EXPANDED PERFORMANCE DATA

COOLING OPERATION

Design Subcooling, 7 °F @ the liquid access fitting connection AHRI 95 test conditions. Design Superheat 5°F @ the compressor suction access fitting connection.

IDB*	Airflow	Outdoor Ambient Temperature																							
		65				75				85				95				105				115			
		59	63	67	71	59	63	67	71	59	63	67	71	59	63	67	71	59	63	67	71	59	63	67	71
80	MBh	42.6	43.6	46.6	49.8	41.7	42.6	45.5	48.6	40.7	41.5	44.4	47.5	39.7	40.5	43.3	46.3	37.7	38.5	41.1	44.0	34.9	35.7	38.1	40.7
	S/T	0.91	0.86	0.70	0.52	0.95	0.89	0.72	0.54	0.97	0.91	0.74	0.55	1.00	0.94	0.76	0.57	1.00	1.00	0.79	0.59	1.00	1.00	0.80	0.60
	Delta T	24	23	20	16	24	23	20	16	24	23	20	16	24	23	20	16	23	23	20	16	21	22	18	15
	KW	2.54	2.61	2.71	2.82	2.78	2.86	2.97	3.09	3.00	3.08	3.20	3.32	3.19	3.27	3.40	3.54	3.35	3.44	3.57	3.71	3.49	3.58	3.72	3.87
	AMPS	12.3	12.6	12.9	13.3	13.1	13.4	13.8	14.2	14.1	14.4	14.8	15.3	14.9	15.2	15.7	16.2	15.8	16.1	16.6	17.1	16.6	16.9	17.4	18.0
	Hi PR	244	262	277	289	273	294	311	324	311	335	353	369	354	381	402	420	398	429	453	472	440	474	500	522
	LO PR	114	122	133	141	121	128	140	149	125	133	146	155	132	140	153	163	138	147	160	171	143	152	166	177
	MBh	41.4	42.3	45.2	48.3	40.4	41.3	44.1	47.2	39.5	40.3	43.1	46.1	38.5	39.4	42.0	44.9	36.6	37.4	39.9	42.7	33.9	34.6	37.0	39.6
	S/T	0.87	0.82	0.66	0.50	0.90	0.85	0.69	0.51	0.93	0.87	0.71	0.53	0.96	0.90	0.73	0.54	0.99	0.93	0.76	0.57	1.00	0.94	0.76	0.57
	Delta T	25	24	20	16	25	24	21	17	25	24	21	17	25	24	21	17	25	24	21	16	23	22	19	15
KW	2.51	2.58	2.68	2.79	2.76	2.83	2.94	3.06	2.97	3.05	3.17	3.29	3.16	3.24	3.37	3.50	3.32	3.40	3.54	3.68	3.45	3.55	3.68	3.83	
AMPS	12.2	12.5	12.8	13.2	13.0	13.3	13.7	14.1	14.0	14.3	14.7	15.2	14.8	15.1	15.6	16.1	15.6	16.0	16.4	17.0	16.4	16.8	17.3	17.9	
Hi PR	241	260	274	286	271	291	308	321	308	331	350	365	351	377	399	416	395	425	448	468	436	469	495	517	
LO PR	113	120	131	140	119	127	139	148	124	132	144	154	130	139	152	161	137	145	159	169	141	150	164	175	
MBh	38.2	39.0	41.7	44.6	37.3	38.1	40.7	43.6	36.4	37.2	39.8	42.5	35.5	36.3	38.8	41.5	33.8	34.5	36.9	39.4	31.3	32.0	34.1	36.5	
S/T	0.84	0.79	0.64	0.48	0.87	0.82	0.66	0.50	0.89	0.84	0.68	0.51	0.92	0.86	0.70	0.53	0.96	0.90	0.73	0.55	0.96	0.90	0.74	0.55	
Delta T	25	24	21	17	25	24	21	17	25	24	21	17	25	24	21	17	25	24	21	17	23	22	20	16	
KW	2.44	2.50	2.60	2.71	2.67	2.74	2.85	2.97	2.88	2.96	3.07	3.19	3.06	3.14	3.27	3.40	3.22	3.30	3.43	3.57	3.35	3.44	3.57	3.72	
AMPS	11.9	12.2	12.5	12.9	12.7	13.0	13.4	13.8	13.7	13.9	14.3	14.8	14.5	14.8	15.2	15.7	15.3	15.6	16.0	16.6	16.0	16.4	16.9	17.4	
Hi PR	234	252	266	277	263	283	298	311	299	321	339	354	340	366	387	403	383	412	435	454	423	455	480	501	
LO PR	110	117	127	136	116	123	135	143	120	128	140	149	127	135	147	157	133	141	154	164	137	146	159	170	
85	MBh	43.4	44.2	46.3	49.4	42.4	43.2	45.2	48.3	41.4	42.2	44.2	47.1	40.4	41.1	43.1	46.0	38.3	39.1	40.9	43.7	35.5	36.2	37.9	40.5
	S/T	0.96	0.92	0.83	0.68	0.99	0.96	0.86	0.70	1.00	0.98	0.89	0.72	1.00	1.00	0.91	0.74	1.00	1.00	0.95	0.77	1.00	1.00	0.96	0.78
	Delta T	25	25	23	20	25	25	24	20	25	25	24	20	24	25	24	21	23	24	24	20	21	22	22	19
	KW	2.56	2.63	2.74	2.84	2.81	2.89	3.00	3.12	3.03	3.11	3.23	3.36	3.22	3.30	3.43	3.57	3.38	3.47	3.61	3.75	3.52	3.62	3.76	3.91
	AMPS	12.4	12.6	13.0	13.4	13.2	13.5	13.9	14.3	14.2	14.5	14.9	15.4	15.0	15.4	15.8	16.3	15.9	16.2	16.7	17.3	16.7	17.1	17.6	18.2
	Hi PR	246	265	280	292	276	297	314	327	314	338	357	372	358	385	407	424	402	433	457	477	445	479	505	527
	LO PR	115	123	134	143	122	130	142	151	127	135	147	157	133	142	155	165	139	148	162	172	144	153	168	178
	MBh	42.1	42.9	45.0	48.0	41.1	41.9	43.9	46.9	40.2	40.9	42.9	45.7	39.2	39.9	41.8	44.6	37.2	37.9	39.7	42.4	34.5	35.1	36.8	39.3
	S/T	0.91	0.88	0.79	0.64	0.95	0.91	0.82	0.67	0.97	0.94	0.84	0.69	1.00	0.97	0.87	0.71	1.00	1.00	0.90	0.73	1.00	1.00	0.91	0.74
	Delta T	26	26	24	21	27	26	25	21	27	26	25	21	27	26	25	22	25	26	24	21	23	24	23	20
KW	2.54	2.61	2.71	2.82	2.78	2.86	2.97	3.09	3.00	3.08	3.20	3.32	3.19	3.27	3.40	3.54	3.35	3.44	3.57	3.71	3.49	3.58	3.72	3.87	
AMPS	12.3	12.6	12.9	13.3	13.1	13.4	13.8	14.2	14.1	14.4	14.8	15.3	14.9	15.2	15.7	16.2	15.8	16.1	16.6	17.1	16.6	16.9	17.4	18.0	
Hi PR	244	262	277	289	273	294	311	324	311	335	353	369	354	381	402	420	398	429	453	472	440	474	500	522	
LO PR	114	122	133	141	121	128	140	149	125	133	146	155	132	140	153	163	138	147	160	171	143	152	166	177	
MBh	38.9	39.6	41.5	44.3	38.0	38.7	40.5	43.3	37.1	37.8	39.6	42.2	36.2	36.9	38.6	41.2	34.4	35.0	36.7	39.1	31.8	32.4	34.0	36.3	
S/T	0.88	0.85	0.77	0.62	0.91	0.88	0.79	0.64	0.94	0.90	0.81	0.66	0.97	0.93	0.84	0.68	1.00	0.97	0.87	0.71	1.00	0.98	0.88	0.71	
Delta T	27	26	25	21	27	27	25	22	27	27	25	22	27	27	25	22	27	26	25	22	25	25	23	20	
KW	2.46	2.53	2.63	2.73	2.70	2.77	2.88	2.99	2.91	2.99	3.10	3.23	3.09	3.17	3.30	3.43	3.25	3.34	3.47	3.60	3.38	3.47	3.61	3.75	
AMPS	12.0	12.3	12.6	13.0	12.8	13.1	13.5	13.9	13.8	14.1	14.4	14.9	14.6	14.9	15.3	15.8	15.4	15.7	16.2	16.7	16.2	16.5	17.0	17.6	
Hi PR	236	254	269	280	265	285	301	314	302	325	343	358	344	370	390	408	387	416	439	458	427	460	485	506	
LO PR	111	118	129	137	117	125	136	145	122	129	141	150	128	136	148	158	134	142	156	166	139	147	161	171	

* Entering Indoor Dry Bulb Temperature
 High and low pressures are measured at the liquid and suction access fittings.
 NOTE: Shaded area is AHRI Rating Conditions
 KW = Total system power
 AMPS: Unit amps (comp. + evaporator + condenser fan motors)

COOLING PERFORMANCE DATA

GPC1548M41*

EXPANDED PERFORMANCE DATA

MODEL: GPC1548M41

Design Subcooling, 7 °F @ the liquid access fitting connection A-HRI 95 test conditions. Design Superheat 5°F @ the compressor suction access fitting connection.

IDB*	Airflow	Outdoor Ambient Temperature																													
		65					75					85					95					105					115				
		59	63	67	71	75	59	63	67	71	75	59	63	67	71	75	59	63	67	71	75	59	63	67	71	75	59	63	67	71	75
70	1519	MBh	43.9	45.5	49.9	-	42.9	44.5	48.7	-	41.9	43.4	47.6	-	40.9	42.3	46.4	-	38.8	40.2	44.1	-	36.0	37.3	40.8	-					
		ST	0.72	0.60	0.41	-	0.74	0.62	0.43	-	0.76	0.64	0.44	-	0.79	0.66	0.45	-	0.82	0.68	0.47	-	0.82	0.69	0.48	-					
		Delta T	19	16	13	-	19	17	13	-	19	17	13	-	19	17	13	-	19	17	13	-	18	15	12	-					
		KW	2.76	2.83	2.94	-	3.02	3.10	3.22	-	3.26	3.34	3.48	-	3.46	3.56	3.70	-	3.64	3.74	3.89	-	3.79	3.89	4.05	-					
		AMPS	12.6	12.9	13.2	-	13.5	13.8	14.2	-	14.5	14.9	15.3	-	15.4	15.8	16.3	-	16.3	16.7	17.2	-	17.2	17.6	18.2	-					
	1350	HI PR	237	255	269	-	266	286	302	-	302	325	344	-	344	371	391	-	388	417	440	-	428	461	487	-					
		LO PR	109	116	127	-	115	122	134	-	120	127	139	-	126	134	146	-	132	140	153	-	136	145	158	-					
		MBh	42.6	44.2	48.4	-	41.6	43.2	47.3	-	40.7	42.1	46.2	-	39.7	41.1	45.0	-	37.7	39.1	42.8	-	34.9	36.2	39.6	-					
		ST	0.68	0.57	0.40	-	0.71	0.59	0.41	-	0.73	0.61	0.42	-	0.75	0.63	0.43	-	0.78	0.65	0.45	-	0.78	0.65	0.45	-					
		Delta T	20	17	13	-	20	17	13	-	20	17	13	-	20	18	13	-	20	17	13	-	19	16	12	-					
1181	KW	2.73	2.80	2.91	-	2.99	3.07	3.19	-	3.22	3.31	3.44	-	3.43	3.52	3.66	-	3.60	3.70	3.85	-	3.76	3.86	4.01	-						
	AMPS	12.5	12.8	13.1	-	13.4	13.7	14.1	-	14.4	14.7	15.2	-	15.3	15.7	16.1	-	16.2	16.6	17.1	-	17.1	17.5	18.0	-						
	HI PR	235	252	267	-	263	283	299	-	299	322	340	-	341	367	388	-	384	413	436	-	424	456	482	-						
	LO PR	108	115	125	-	114	121	132	-	118	126	138	-	124	132	145	-	130	139	151	-	135	143	157	-						
	MBh	39.4	40.8	44.7	-	38.4	39.8	43.7	-	37.5	38.9	42.6	-	36.6	37.9	41.6	-	34.8	36.1	39.5	-	32.2	33.4	36.6	-						
75	ST	0.66	0.55	0.38	-	0.68	0.57	0.39	-	0.70	0.58	0.40	-	0.72	0.60	0.42	-	0.75	0.63	0.43	-	0.76	0.63	0.44	-						
	Delta T	20	17	13	-	20	18	13	-	20	18	13	-	21	18	14	-	20	18	13	-	19	16	12	-						
	KW	2.65	2.72	2.82	-	2.90	2.98	3.10	-	3.13	3.21	3.34	-	3.33	3.42	3.55	-	3.50	3.59	3.73	-	3.64	3.74	3.89	-						
	AMPS	12.2	12.4	12.8	-	13.1	13.3	13.7	-	14.1	14.4	14.8	-	14.9	15.3	15.7	-	15.8	16.2	16.6	-	16.7	17.0	17.6	-						
	HI PR	228	245	259	-	255	275	290	-	290	313	330	-	331	356	376	-	372	400	423	-	411	442	467	-						
LO PR	105	111	122	-	111	118	128	-	115	122	133	-	121	128	140	-	126	135	147	-	131	139	152	-							

1519	MBh	44.7	46.0	49.8	53.4	43.6	44.9	48.6	52.2	42.6	43.8	47.5	50.9	41.5	42.8	46.3	49.7	39.5	40.6	44.0	47.2	36.6	37.6	40.7	43.7
	ST	0.81	0.73	0.55	0.35	0.84	0.75	0.57	0.37	0.87	0.77	0.59	0.38	0.89	0.80	0.60	0.39	0.93	0.83	0.63	0.40	0.93	0.84	0.63	0.41
	Delta T	22	20	17	11	22	21	17	12	22	21	17	12	22	21	17	12	22	20	17	12	21	19	16	11
	KW	2.78	2.86	2.97	3.09	3.05	3.13	3.26	3.39	3.29	3.38	3.51	3.65	3.50	3.59	3.73	3.88	3.68	3.78	3.92	4.08	3.83	3.93	4.09	4.25
	AMPS	12.7	13.0	13.3	13.8	13.6	13.9	14.3	14.8	14.7	15.0	15.4	16.0	15.6	15.9	16.4	17.0	16.5	16.9	17.4	18.0	17.4	17.8	18.3	19.0
	HI PR	239	258	272	284	269	289	305	318	306	329	347	362	348	374	395	412	391	421	445	464	433	465	491	513
	LO PR	110	117	128	136	116	124	135	144	121	129	140	149	127	135	147	157	133	142	155	165	138	146	160	170
	MBh	43.4	44.6	48.3	51.9	42.4	43.6	47.2	50.7	41.3	42.6	46.1	49.5	40.3	41.5	45.0	48.2	38.3	39.5	42.7	45.8	35.5	36.5	39.6	42.5
	ST	0.78	0.69	0.53	0.34	0.80	0.72	0.54	0.35	0.83	0.74	0.56	0.36	0.85	0.76	0.58	0.37	0.88	0.79	0.60	0.39	0.89	0.80	0.60	0.39
	Delta T	23	21	17	12	23	21	18	12	23	21	18	12	23	22	18	12	23	21	17	12	22	20	16	11
1350	KW	2.76	2.83	2.94	3.06	3.02	3.10	3.23	3.35	3.26	3.34	3.48	3.62	3.47	3.56	3.70	3.85	3.64	3.74	3.89	4.04	3.79	3.89	4.05	4.21
	AMPS	12.6	12.9	13.2	13.7	13.5	13.8	14.2	14.7	14.5	14.9	15.3	15.8	15.4	15.8	16.3	16.8	16.4	16.7	17.2	17.8	17.2	17.6	18.2	18.8
	HI PR	237	255	269	281	266	286	302	315	302	326	344	359	345	371	391	408	388	417	440	459	428	461	487	508
	LO PR	109	116	127	135	115	122	134	142	120	127	139	148	126	134	146	155	132	140	153	163	136	145	158	169
	MBh	40.0	41.2	44.6	47.9	39.1	40.3	43.6	46.8	38.2	39.3	42.5	45.6	37.2	38.4	41.5	44.5	35.4	36.4	39.4	42.3	32.8	33.7	36.5	39.2
	ST	0.75	0.67	0.51	0.33	0.78	0.69	0.53	0.34	0.80	0.71	0.54	0.35	0.82	0.73	0.56	0.36	0.85	0.76	0.58	0.37	0.86	0.77	0.58	0.37
	Delta T	23	21	18	12	24	22	18	12	24	22	18	12	24	22	18	12	23	22	18	12	22	20	17	11
	KW	2.67	2.75	2.85	2.97	2.93	3.01	3.13	3.25	3.16	3.24	3.37	3.51	3.36	3.45	3.59	3.73	3.53	3.63	3.77	3.92	3.68	3.78	3.93	4.08
	AMPS	12.3	12.5	12.9	13.3	13.2	13.5	13.8	14.3	14.2	14.5	14.9	15.4	15.1	15.4	15.9	16.4	15.9	16.3	16.8	17.4	16.8	17.2	17.7	18.3
	HI PR	230	247	261	273	258	278	293	306	293	316	333	348	334	360	380	396	376	405	427	446	415	447	472	492
LO PR	106	112	123	131	112	119	130	138	116	123	135	144	122	130	142	151	128	136	148	158	132	141	153	163	

* Entering Indoor Dry Bulb Temperature

High and low pressures are measured at the liquid and suction access fittings.

NOTE: Shaded area is ACCA (TVA) conditions

COOLING PERFORMANCE DATA

GPC1548M41*

MODEL: GPC1548M41

EXPANDED PERFORMANCE DATA

COOLING OPERATION

Design Subcooling, 7 °F @ the liquid access fitting connection AHRI 95 test conditions. Design Superheat 5°F @ the compressor suction access fitting connection.

IDB*	Airflow	Outdoor Ambient Temperature																													
		65					75					85					95					105					115				
		59	63	67	71	75	59	63	67	71	75	59	63	67	71	75	59	63	67	71	75	59	63	67	71	75	59	63	67	71	75
80	1519	MBh	45.5	46.5	49.6	53.1	44.4	45.4	48.5	51.8	43.3	44.3	47.3	50.6	42.3	43.2	46.2	49.4	40.2	41.1	43.9	46.9	37.2	38.0	40.6	43.4					
		S/T	0.89	0.84	0.68	0.51	0.93	0.87	0.71	0.53	0.95	0.89	0.72	0.54	1.00	0.92	0.75	0.56	1.00	0.95	0.78	0.58	1.00	0.96	0.78	0.58					
		Delta T	25	24	20	16	25	24	21	17	25	24	21	17	26	24	21	17	24	24	21	17	24	23	22	19	15				
		KW	2.81	2.89	3.00	3.12	3.08	3.17	3.29	3.42	3.32	3.41	3.55	3.69	3.54	3.63	3.77	3.92	3.72	3.81	3.96	4.12	3.87	3.97	4.13	4.29					
		AM/PS	12.8	13.1	13.5	13.9	13.7	14.0	14.4	14.9	14.8	15.1	15.6	16.1	15.7	16.1	16.5	17.1	16.6	17.0	17.5	18.1	17.5	17.9	18.5	19.2					
		HI PR	242	260	275	287	271	292	308	322	309	332	351	366	351	378	399	417	395	426	449	469	437	470	496	518					
		LO PR	111	118	129	138	117	125	136	145	122	130	142	151	128	136	149	159	134	143	156	166	139	148	161	172					
		MBh	44.1	45.1	48.2	51.5	43.1	44.1	47.1	50.3	42.1	43.0	45.9	49.1	41.1	42.0	44.8	47.9	39.0	39.9	42.6	45.5	36.1	36.9	39.4	42.2					
		S/T	0.85	0.80	0.65	0.49	0.88	0.83	0.67	0.50	0.91	0.85	0.69	0.52	0.93	0.88	0.71	0.53	0.97	0.91	0.74	0.55	0.98	0.92	0.75	0.56					
		Delta T	26	25	21	17	26	25	22	17	26	25	22	17	26	25	22	17	26	25	21	17	24	23	20	16					
KW	2.78	2.86	2.97	3.09	3.05	3.13	3.26	3.39	3.29	3.38	3.51	3.65	3.50	3.59	3.74	3.88	3.68	3.78	3.93	4.08	3.83	3.93	4.09	4.25							
AM/PS	12.7	13.0	13.3	13.8	13.6	13.9	14.3	14.8	14.7	15.0	15.4	16.0	15.6	15.9	16.4	17.0	16.5	16.9	17.4	18.0	17.4	17.8	18.3	19.0							
HI PR	239	258	272	284	269	289	305	318	306	329	347	362	348	374	395	412	391	421	445	464	433	465	492	513							
LO PR	110	117	128	136	116	124	135	144	121	129	140	149	127	135	147	157	133	142	155	165	138	146	160	170							
MBh	40.7	41.6	44.5	47.5	39.8	40.7	43.4	46.4	38.8	39.7	42.4	45.3	37.9	38.7	41.4	44.2	36.0	36.8	39.3	42.0	33.3	34.1	36.4	38.9							
S/T	0.82	0.77	0.63	0.47	0.85	0.80	0.65	0.49	0.87	0.82	0.67	0.50	0.90	0.84	0.69	0.51	0.93	0.88	0.71	0.53	0.94	0.88	0.72	0.54							
Delta T	26	25	22	17	26	25	22	18	26	25	22	18	27	25	22	18	26	25	22	17	24	23	20	16							
KW	2.70	2.77	2.88	3.00	2.96	3.04	3.16	3.29	3.19	3.28	3.41	3.54	3.40	3.49	3.62	3.77	3.57	3.66	3.81	3.96	3.72	3.82	3.97	4.13							
AM/PS	12.4	12.7	13.0	13.4	13.3	13.6	14.0	14.4	14.3	14.6	15.1	15.6	15.2	15.5	16.0	16.5	16.1	16.4	16.9	17.5	16.9	17.3	17.9	18.5							
HI PR	232	250	264	275	261	280	296	309	296	319	337	351	338	363	384	400	380	409	432	450	420	452	477	497							
LO PR	107	114	124	132	113	120	131	140	117	125	136	145	123	131	143	152	129	137	150	160	133	142	155	165							
85	1519	MBh	46.3	47.1	49.4	52.7	45.2	46.1	48.2	51.5	44.1	45.0	47.1	50.2	43.0	43.9	45.9	49.0	40.9	41.7	43.6	46.6	37.9	38.6	40.4	43.1					
		S/T	0.94	0.90	0.82	0.66	0.97	0.94	0.84	0.69	0.99	0.96	0.87	0.70	1.00	0.99	0.89	0.73	1.00	1.00	0.93	0.75	1.00	1.00	0.94	0.76					
		Delta T	26	26	24	21	27	26	25	21	27	26	25	21	26	26	25	22	25	25	25	21	23	23	23	20					
		KW	2.84	2.92	3.03	3.15	3.11	3.20	3.32	3.46	3.36	3.45	3.58	3.72	3.57	3.67	3.81	3.96	3.75	3.85	4.00	4.16	3.91	4.01	4.17	4.34					
		AM/PS	12.9	13.2	13.6	14.0	13.8	14.1	14.6	15.0	14.9	15.2	15.7	16.2	15.8	16.2	16.7	17.3	16.8	17.1	17.7	18.3	17.7	18.1	18.7	19.3					
		HI PR	244	263	278	289	274	295	311	325	312	335	354	369	355	382	403	421	399	430	454	473	441	475	501	523					
		LO PR	112	119	130	139	119	126	138	147	123	131	143	153	130	138	150	160	136	144	158	168	140	149	163	174					
		MBh	44.9	45.8	47.9	51.1	43.9	44.7	46.8	50.0	42.8	43.6	45.7	48.8	41.8	42.6	44.6	47.6	39.7	40.5	42.4	45.2	36.8	37.5	39.2	41.9					
		S/T	0.89	0.86	0.78	0.63	0.93	0.89	0.81	0.65	0.95	0.92	0.83	0.67	0.98	0.95	0.85	0.69	1.00	0.98	0.89	0.72	1.00	0.99	0.89	0.72					
		Delta T	27	27	25	22	28	27	26	22	28	27	26	22	28	27	26	22	27	27	26	22	25	25	24	21					
KW	2.81	2.89	3.00	3.12	3.08	3.17	3.29	3.42	3.32	3.41	3.55	3.69	3.54	3.63	3.77	3.92	3.72	3.81	3.96	4.12	3.87	3.97	4.13	4.29							
AM/PS	12.8	13.1	13.5	13.9	13.7	14.0	14.4	14.9	14.8	15.1	15.6	16.1	15.7	16.1	16.5	17.1	16.6	17.0	17.5	18.1	17.5	17.9	18.5	19.2							
HI PR	242	260	275	287	271	292	308	322	309	332	351	366	351	378	399	417	395	426	449	469	437	470	496	518							
LO PR	111	118	129	138	117	125	136	145	122	130	142	151	128	136	149	159	134	143	156	166	139	148	161	172							
MBh	41.4	42.3	44.3	47.2	40.5	41.3	43.2	46.1	39.5	40.3	42.2	45.0	38.6	39.3	41.2	43.9	36.6	37.3	39.1	41.7	33.9	34.6	36.2	38.6							
S/T	0.86	0.83	0.75	0.61	0.89	0.86	0.78	0.63	0.91	0.88	0.80	0.65	0.94	0.91	0.82	0.67	0.98	0.95	0.85	0.69	0.99	0.95	0.86	0.70							
Delta T	28	27	26	22	28	28	26	23	28	28	26	23	28	28	26	23	28	27	26	22	26	26	24	21							
KW	2.73	2.80	2.91	3.03	2.99	3.07	3.19	3.32	3.22	3.31	3.44	3.58	3.43	3.52	3.66	3.81	3.60	3.70	3.85	4.00	3.75	3.85	4.01	4.17							
AM/PS	12.5	12.8	13.1	13.6	13.4	13.7	14.1	14.5	14.4	14.7	15.2	15.7	15.3	15.7	16.1	16.7	16.2	16.6	17.1	17.7	17.1	17.5	18.0	18.7							
HI PR	235	252	267	278	263	283	299	312	299	322	340	355	341	367	387	404	384	413	436	455	424	456	482	502							
LO PR	108	115	125	133	114	121	132	141	118	126	138	146	124	132	144	154	130	139	151	161	135	143	157	167							

NOTE: Shaded area reflects AHRI rating conditions

* Entering Indoor Dry Bulb Temperature

High and low pressures are measured at the liquid and suction access fittings.

KW = Total system power

AM/PS: Unit amps (comp. + evaporator + condenser fan motors)

COOLING PERFORMANCE DATA

PERFORMANCE TEST

All data based upon listed indoor dry bulb temperature. .00 inches external static pressure on coil of outdoor section. Indoor air cubic feet per minute (CFM) as listed in the Performance Data Sheets:

If conditions vary from this, results will change as follows:

1. As indoor dry bulb temperatures increase, a slight increase will occur in indoor air temperature drop (Delta T). Low and high side pressures and power will not change.
2. As indoor CFM decreases, a slight increase will occur in indoor temperature drop (Delta T). A slight decrease will occur in low and high side pressures and power.

A properly operating unit should be within plus or minus **3 degrees** of the typical (**Delta T**) value shown.

A properly operating unit should be within plus or minus **7 PSIG** of the **HI PR** shown.

A properly operating unit should be within plus or minus **3 PSIG** of the **LO PR** shown.

A properly operating unit should be within plus or minus **3 Amps** of the typical value shown.

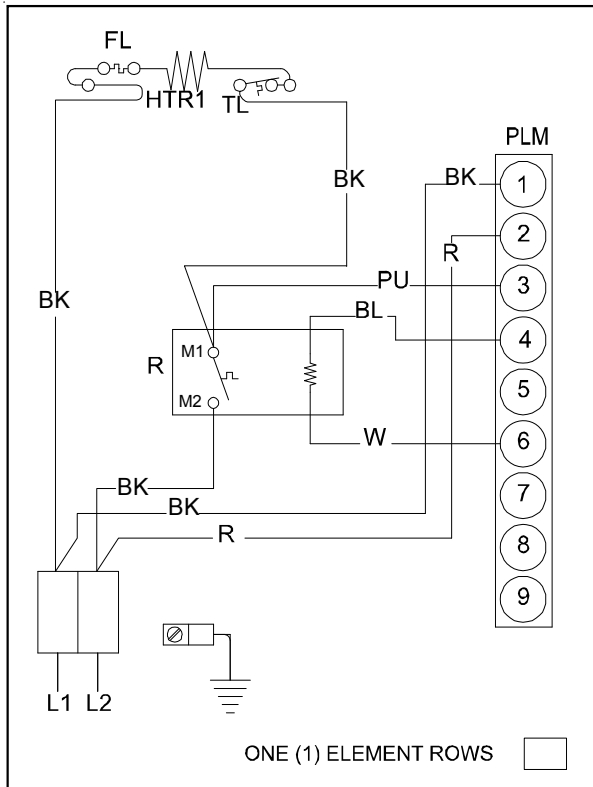
WIRING DIAGRAMS

HKR***

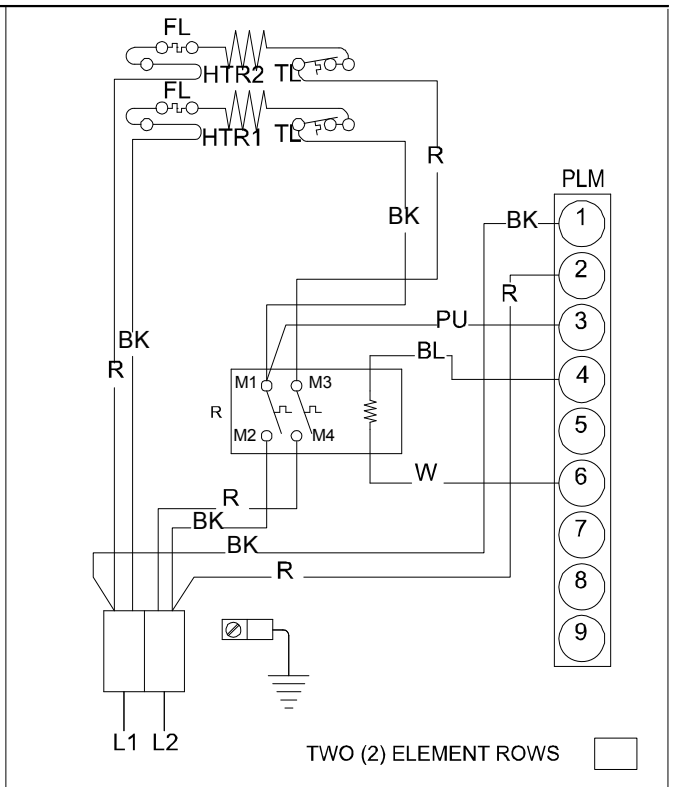


HIGH VOLTAGE!
 DISCONNECT ALL POWER BEFORE SERVICING OR INSTALLING THIS UNIT. MULTIPLE POWER SOURCES MAY BE PRESENT. FAILURE TO DO SO MAY CAUSE PROPERTY DAMAGE, PERSONAL INJURY OR DEATH.

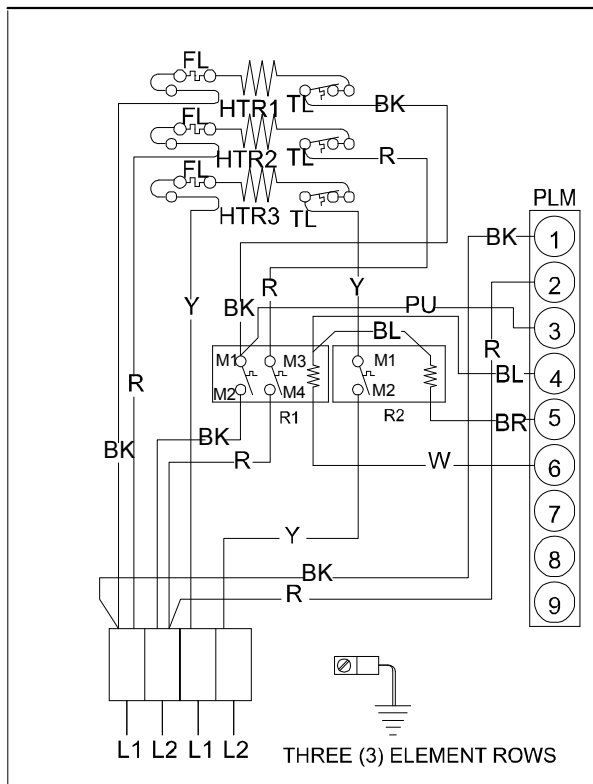
WARNING



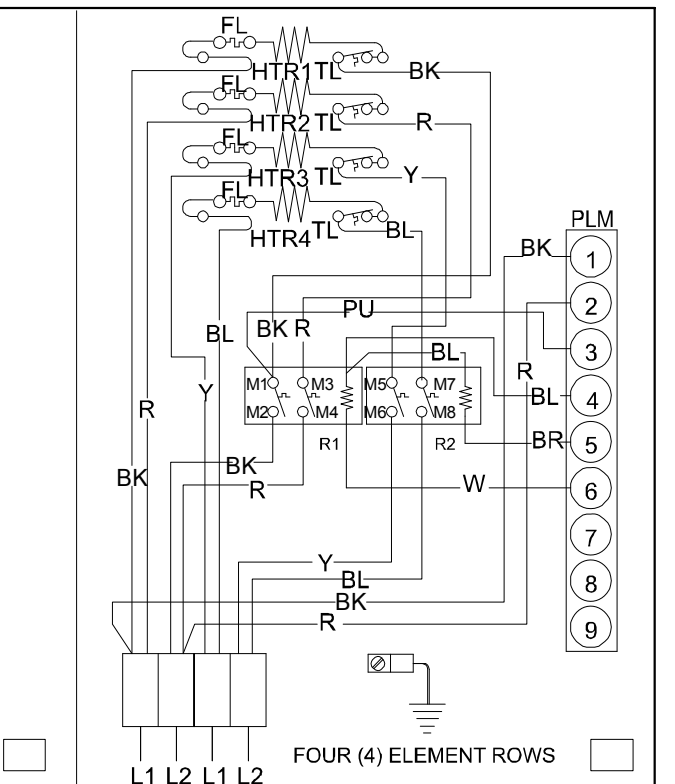
5 KW



10 KW



15 KW

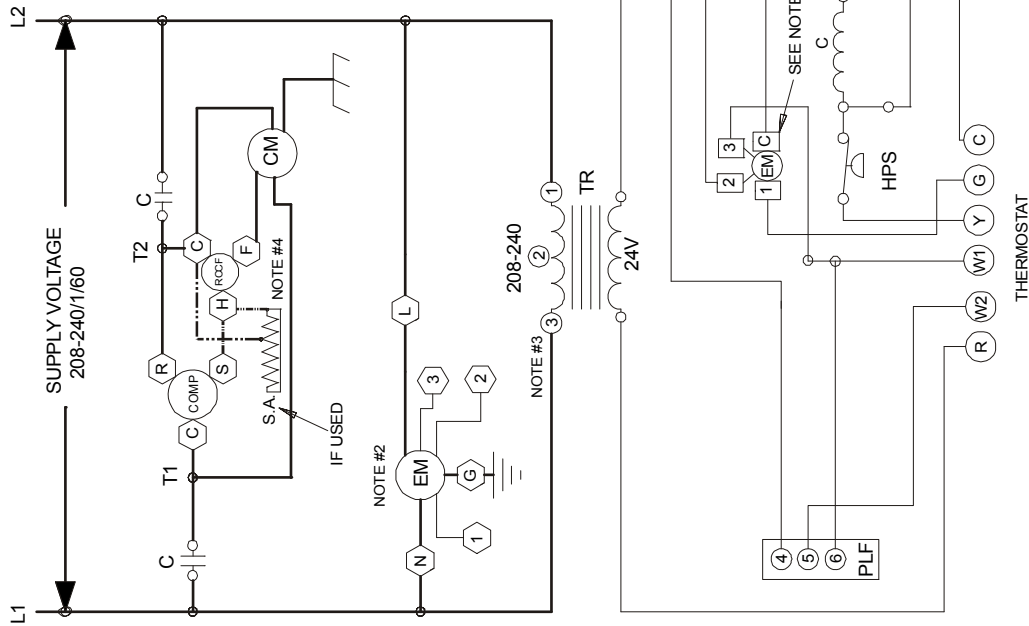


20 KW

Wiring is subject to change. Always refer to the wiring diagram on the unit for the most up-to-date wiring.



WARNING
HIGH VOLTAGE!
 DISCONNECT ALL POWER BEFORE SERVICING OR INSTALLING THIS UNIT. MULTIPLE POWER SOURCES MAY BE PRESENT. FAILURE TO DO SO MAY CAUSE PROPERTY DAMAGE, PERSONAL INJURY OR DEATH.



<u>COMPONENT LEGEND</u>		<u>FACTORY WIRING</u>	
C	CONTACTOR	—	LINE VOLTAGE
CM	CONDENSER MOTOR	—	LOW VOLTAGE
COMP	COMPRESSOR	—	OPTIONAL HIGH VOLTAGE
EM	EVAPORATOR MOTOR	—	OPTIONAL HIGH VOLTAGE
GND	EQUIPMENT GROUND	—	FIELD WIRING
LVJB	LOW VOLTAGE JUNCTION BOX	—	HIGH VOLTAGE
PLF	FEMALE PLUG / CONNECTOR	—	LOW VOLTAGE
RCCF	RUN CAPACITOR FOR COMPRESSOR AND FAN		
SA	START ASSIST		
TR	TRANSFORMER		
HPS	HIGH PRESSURE SWITCH		
		<u>WIRE CODE</u>	
		BK	BLACK
		BL	BLUE
		BR	BROWN
		GR	GREEN
		OR	ORANGE
		PU	PURPLE
		RD	RED
		WH	WHITE
		YL	YELLOW
		BL/PNK	BLUE/PINK STRIPE

NOTES:

1. REPLACEMENT WIRE MUST BE SAME SIZE AND TYPE INSULATION AS ORIGINAL (AT LEAST 105°C) USE COPPER CONDUCTOR ONLY.
 2. TO CHANGE EVAPORATOR MOTOR SPEED MOVE WHITE AND YELLOW LEADS FROM EM"2" AND "3" TO "4" AND "5". IF BOTH LEADS ARE ENERGIZED, THE HIGHER SPEED SETTING IS USED.
 3. FOR 208 VOLT TRANSFORMER OPERATION MOVE PURPLE WIRES FROM TERMINAL 3 TO TERMINAL 2 ON TRANSFORMER.
 4. START ASSIST FACTOR EQUIPPED WHEN REQUIRED.
 5. USE COPPER CONDUCTORS ONLY.
- ++ USE N.E.C. CLASS 2 WIRE

SEE UNIT RATING PLATE FOR TYPE AND SIZE OF OVER CURRENT PROTECTION