

Project Name: _____
 Location: _____
 Engineer: _____
 Submitted to: _____
 Submitted by: _____
 Reference: _____

Approval: _____
 Date: _____
 Construction: _____
 Unit #: _____
 Drawing #: _____

Performance

Indoor Unit Model No: FDXS12LVJU
Outdoor Unit Model No: RXS12LVJU
Rated Cooling Capacity (Btu/hr): 11500
Sensible Capacity (Btu/hr): 8280
Max/Min Cooling Capacity (Btu/hr / kW): 11500/4800
Cooling Input Power (kW): 1.26
SEER: 15.5
Rated Heating Capacity (Btu/hr): 11500
Max/Min Heating Capacity (Btu/hr / kW): 11500/4800
Heating Input Power (kW): 0.96
Heating COP (Btu/hr / Btu/hr): 3.51
HSPF: 10.4

Indoor Unit Type: Concealed Ceiling (Low Static)
Condensing Unit Type: High SEER Heat Pump
Rated Cooling Conditions: Indoor: 80°F DB/67°F WB
 Outdoor: 95°F DB/75°F WB
Rated Heating Conditions: Indoor: 70°F DB/60°F WB
 Outdoor: 47°F DB/43°F WB
Rated Piping Length(ft): 25
Rated Height Separation(ft): 0

Indoor Unit Details

Power Supply (V/Hz/Ph): 208-230/60/1ph
Power Supply Connections: L1, L2, Ground
Min Circuit Amps MCA (A): N/A
Max Overcurrent Amps MFA (A): N/A
Dimensions (HxWxD): 7-7/8x27-9/16x24-7/16
Panel (HxWxD): N/A
Net Weight (lbs): 47
Weight with Panel (lbs): N/A

Airflow Rate (CFM wet coil): 305/280/235
Moisture Removal (pt/h): 4
Gas Pipe Connection (inch): 3/8
Liquid Pipe Connection (inch): 1/4
Condensate Connection (inch): 25/32
Sound Pressure Level (dBA): 35
Sound Power Level (dBA): 51
Static Pressure Rated/Max (inWg): 0 / 0.12/0.12

Condensing Unit Details

Power Supply (V/Hz/Ph): 208-230/60/1ph
Power Supply Connections: L1, L2, Ground
Min. Circuit Amps MCA (A): 8.75
Max. Overcurrent Amps MFA (A): 15
Max. Starting Current MSC(A): _____
Rated Load Amps RLA (A): 5.3
Dimensions (HxWxD): 21-5/8x30-1/8x11-1/4
Net Weight (lbs): 75

Compressor Type: Inverter
Capacity Control Range (%): _____
Airflow Rate (CFM): 1183
Gas Pipe Connection (inch): 3/8
Liquid Pipe Connection (inch): 1/4
Sound Pressure Level (dBA): 49
Sound Power Level (dBA): 61

System Details

Refrigerant Type: R-410A
Holding Refrigerant Charge (lbs): 2.65
Additional Charge (oz/ft): 0.21
Pre-charge Piping (Length ft): 32.8 ft
Max. Pipe Length (Total ft): 65.6 ft

Max. Pipe Length (Vertical ft): 49.2 ft
Cooling Operation Range (°F): 14 - 115
Cooling Range w/Baffle (°F): 0 - 115
Heating Operation Range (°F): 5 - 64
Heating Range w/Baffle (°F): 0 - 77

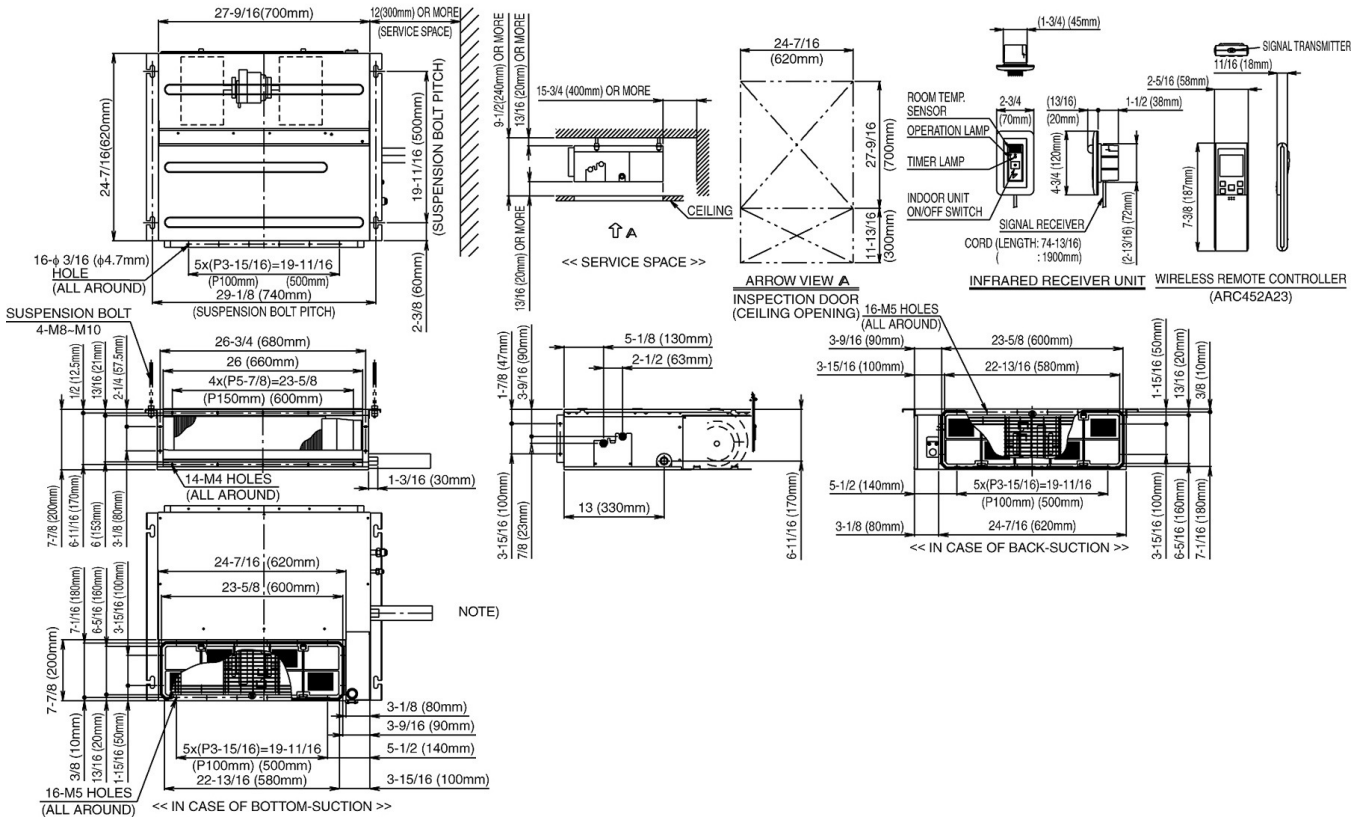
Project Name: _____
 Location: _____
 Engineer: _____
 Submitted to: _____
 Submitted by: _____
 Reference: _____

Approval: _____
 Date: _____
 Construction: _____
 Unit #: _____
 Drawing #: _____

Dimensional Drawing - Indoor Unit

FDXS12LVJU

FDXS09_12LVJU
 Unit (in.)



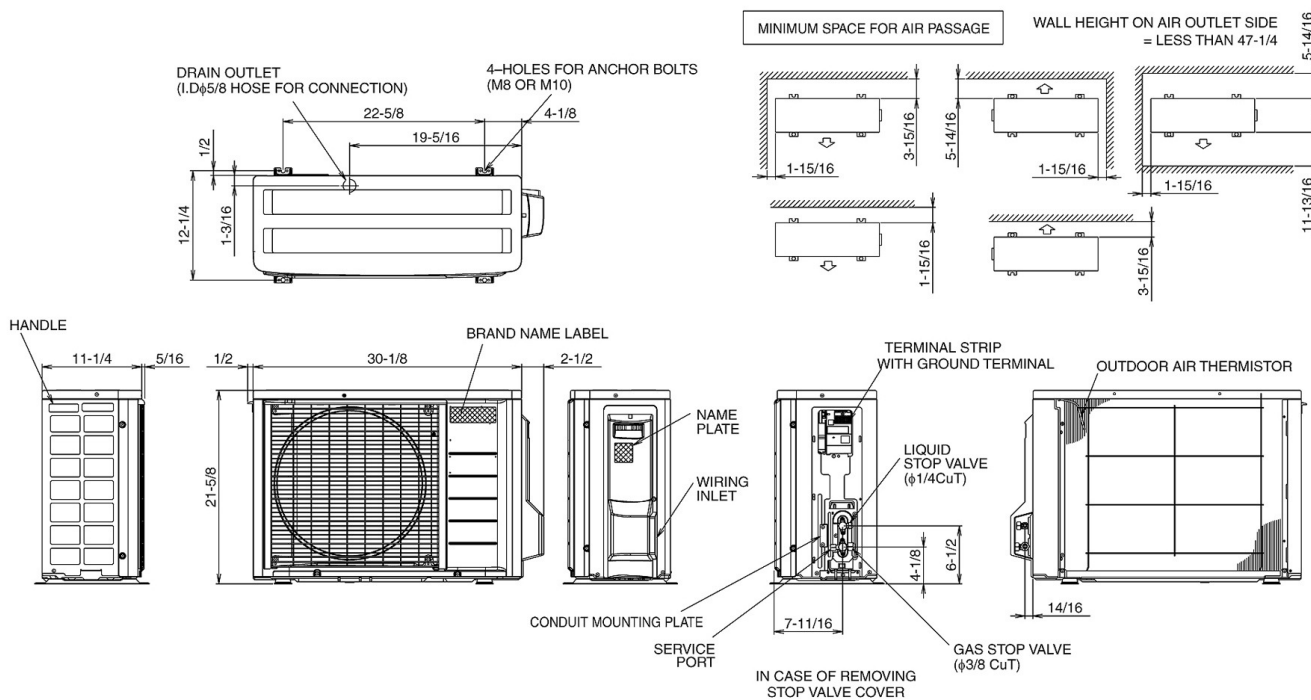
Project Name: _____
 Location: _____
 Engineer: _____
 Submitted to: _____
 Submitted by: _____
 Reference: _____

Approval: _____
 Date: _____
 Construction: _____
 Unit #: _____
 Drawing #: _____

Dimensional Drawing - Condensing Unit

RXS12LVJU

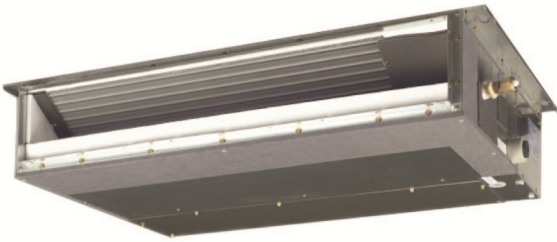
RXS09/12D(A)VJU
 Unit (in.)



Project Name: _____
 Location: _____
 Engineer: _____
 Submitted to: _____
 Submitted by: _____
 Reference: _____

Approval: _____
 Date: _____
 Construction: _____
 Unit #: _____
 Drawing #: _____

FDXS12LVJU



RXS12LVJU



FDXS12LVJU

Std U.S. Warranty: 7yrs Compressor, 5yrs Parts.
 Optional accessories like Wind Baffle, Wired Remote Controller, Mounting Bracket can be included at additional charges

RXS12LVJU

Std U.S. Warranty: 7yrs Compressor, 5yrs Parts.
 Optional accessories like Wind Baffle, Wired Remote Controller, Mounting Bracket can be included at additional charges