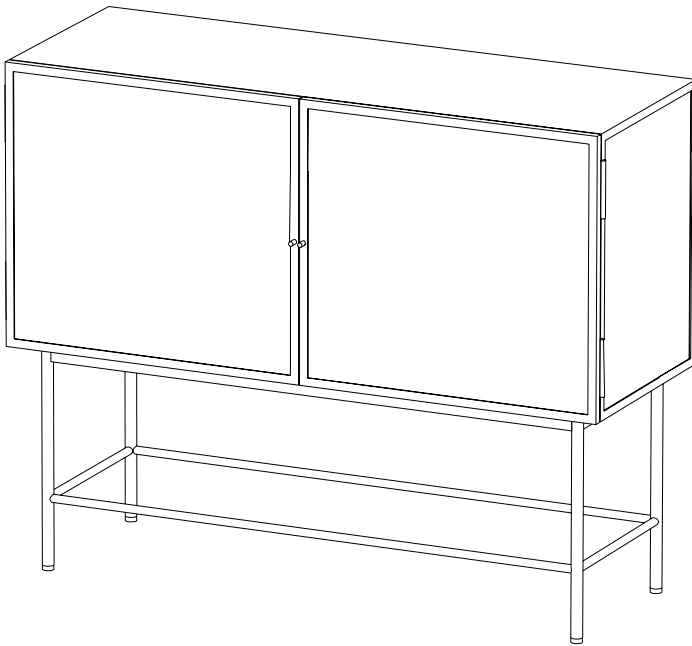


# HAZE SIDEBOARD

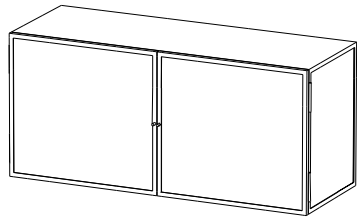
---

ASSEMBLY MANUAL

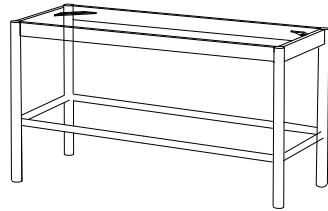


ferm  
L I V I N G

## BOX CONTENTS



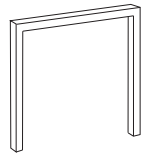
1 x cabinet



1 x legs



1 x shelf



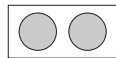
1 x u-formed stabiliser



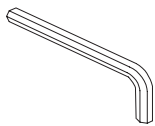
4 x M8 16 mm screws



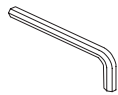
2 x M6 16 mm screws



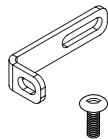
2 x rubber pads



1 x hex key 5 mm



1 x hex key 4 mm



2 x wall-safety set  
(M6 16 mm screws x 2)

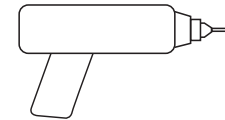
## NEEDED IN ORDER TO ASSEMBLE



Min. two people



Spirit level



Power drill



Screw driver



Pencil



2 x screws

2 x rawlplugs

### NB!

*Screws and rawlplugs are not included, as different kinds of walls require different rawlplugs/screws.*

The Haze Sideboard is made with thin, powder coated steel plates.

The hinge on the doors are welded to the frame, which means that adjustment is only possible by regulating the height of the feet.

When mounting the Sideboard, please ensure that the cabinet is level in all directions by adjusting the height of the feet.

If the doors are not totally aligned, mount the wall bracket according to the instruction manual, but please make sure to not tighten the screws completely. Then push gently on the side of the cabinet where the door is lower than the other. When the doors are aligned, tighten the wall brackets completely while still applying pressure to the side of the cabinet.

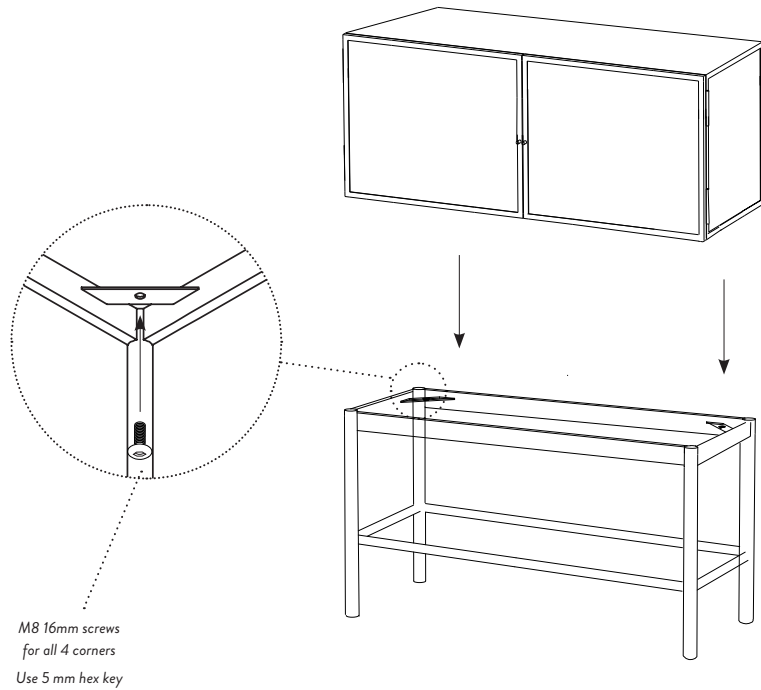
Adjust the feet according to the new position of the cabinet.

Before pushing on the side of the cabinet, it is recommended that you fill it with the items that you have planned to store in it. This is in order to apply some weight to the cabinet, which can also affect the alignment of the doors.



**WARNING**

## ASSEMBLY PROCESS

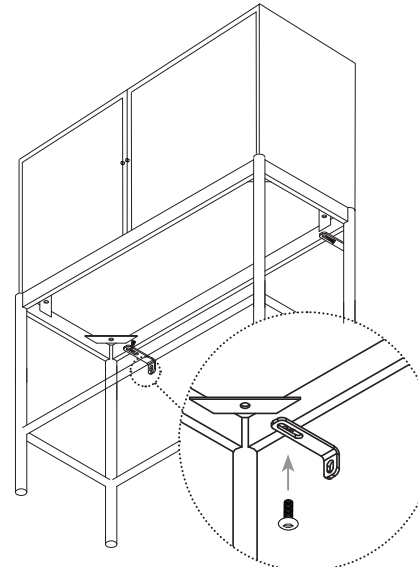


M8 16mm screws  
for all 4 corners  
Use 5 mm hex key

**1**

Please mount the cabinet to the legs  
using the screws indicated above.

## ASSEMBLY PROCESS

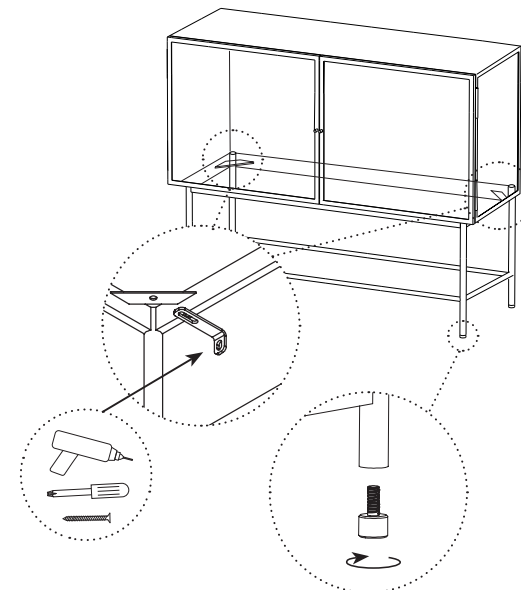


M6 16 mm screws x 2  
Use 4 mm hex key

**2**

We recommend mounting  
the sideboard against a  
wall with the included  
wall safety set.

Mount the wall safety set  
onto the sideboard and place  
it against the wall. Screw the  
wall safety onto the cabinet.  
Do not tighten screws yet.



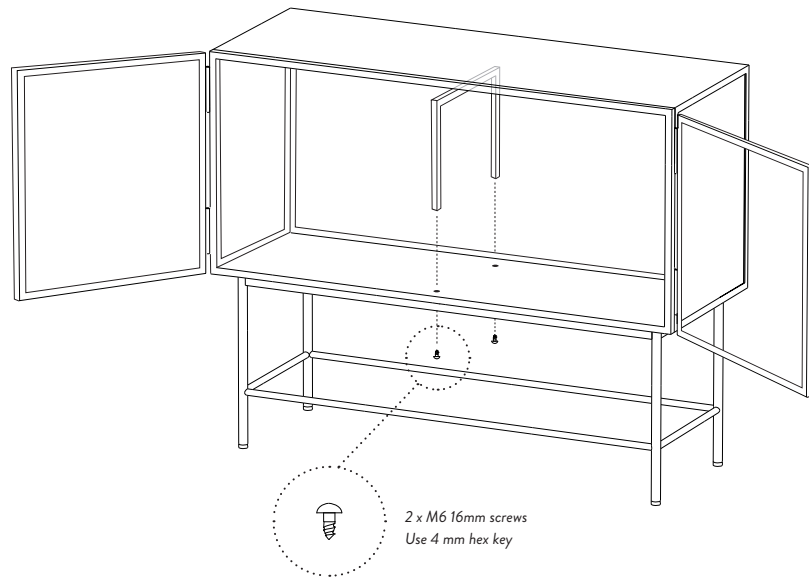
**3**

Remember to level the sideboard  
with the adjustable feet to avoid the  
sideboard becoming crooked.

If needed, pre-drill holes  
and insert rawlplugs.

Screw the wall safety into  
the wall. Finally, tighten the  
screws into the cabinet.

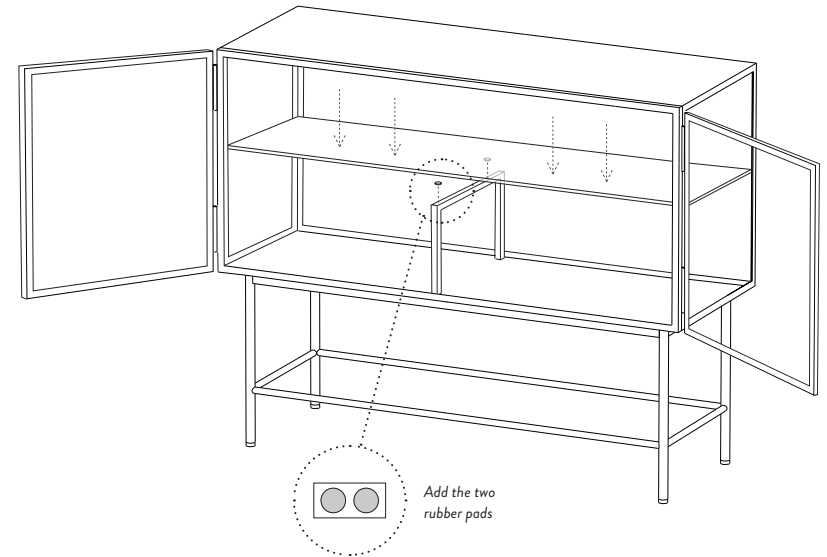
## ASSEMBLY PROCESS



4

Insert the u-formed stabiliser inside the cabinet so that it faces downwards. Place it upon the pre-drilled holes at the bottom of the cabinet, then use the hex key to fasten the two screws from underneath.

## ASSEMBLY PROCESS



5

Add the two rubber pads on top of the u-form to prevent friction between the parts. Then place the metal shelf inside the cabinet and lower it down, so that it ends up resting upon the u-form as well as the support in the four corners.

[fermliving.com](http://fermliving.com)