

Dell PowerEdge M1000e Enclosure

Owner's Manual

Notes, cautions, and warnings

 **NOTE:** A NOTE indicates important information that helps you make better use of your product.

 **CAUTION:** A CAUTION indicates either potential damage to hardware or loss of data and tells you how to avoid the problem.

 **WARNING:** A WARNING indicates a potential for property damage, personal injury, or death.

© 2014 – 2019 Dell Inc. or its subsidiaries. All rights reserved. Dell, EMC, and other trademarks are trademarks of Dell Inc. or its subsidiaries. Other trademarks may be trademarks of their respective owners.

1 About your system.....	6
System Overview.....	6
System Control-Panel Features.....	8
LCD Module.....	9
LCD Module Features.....	10
Using The LCD Module Menus.....	10
Configuration Wizard.....	11
Back-Panel Features.....	11
Power Supply Indicators.....	12
Fan Module Indicators.....	14
Avocent iKVM Analog Switch Module (Optional).....	15
Avocent Analog iKVM Switch Module Indicators.....	15
Avocent Analog iKVM Switch Module Features.....	16
CMC Module.....	17
CMC Module Features.....	17
CMC Fail-Safe Mode.....	18
Daisy-Chain CMC Network Connection.....	18
System Messages.....	19
Documentation Matrix.....	19
Quick Resource Locator.....	20
2 Initial system configuration.....	21
Before You Begin.....	21
Initial Setup Sequence.....	21
Initial CMC Network Configuration.....	21
Configuring The CMC Using The LCD Configuration Wizard.....	21
Configuring The CMC Using A Management Station And CLI.....	22
Logging In To The CMC Using The Web-Based Interface.....	23
Adding And Managing CMC Users.....	23
Configuring iDRAC Networking Using The Web-Based Interface.....	24
Setting The First Boot Device For Servers.....	24
Configuring And Managing Power.....	24
Installing Or Updating The CMC Firmware.....	25
Downloading The CMC Firmware.....	25
Updating The CMC Firmware Using The Web-Based Interface.....	25
Updating The CMC Firmware Using RACADM.....	26
Configuring The Optional iKVM Switch Module.....	26
Updating The iKVM Firmware.....	26
Tiering The Avocent iKVM Switch From A Digital KVM Switch.....	26
Tiering The Avocent iKVM Switch From An Analog KVM Switch.....	27
Configuring The Analog Switch.....	27
Resynchronizing The Server List At The Remote Client Workstation.....	28
Viewing And Selecting Servers.....	28
FlexAddress.....	28

FlexAddress Plus.....	29
-----------------------	----

3 Configuring The I/O Modules..... 30

Network Information.....	30
I/O Connectivity.....	30
General I/O Module Configuration Guidelines.....	30
Fabric A.....	30
Fabric B.....	31
Fabric C.....	31
Port Auto-Disablement in Quad-Port Network Daughter Card (Dell PowerEdge M710HD Only).....	31
Mezzanine Cards.....	32
PowerEdge M610x Only.....	32
Full-Height Blades.....	32
Half-Height Blades.....	32
I/O Module Port Mapping—Full-Height Blades.....	33
Standard LOM (Dual-Port) Mapping.....	33
Dual-Port Mezzanine Cards.....	33
Quad-Port Mezzanine Cards.....	36
I/O Module Port Mapping—Half-Height Blades.....	38
Standard LOM (Dual-Port) and Network Daughter Card (Quad-Port) Mapping.....	38
Dual-Port Mezzanine Cards.....	38
Quad-Port Mezzanine Cards	39
I/O Modules—Switches.....	40
Configuring A Switch Module Network Ethernet Port Using The Web-Based Interface.....	40
Brocade M6505 16 Gbps FC SAN I/O Module.....	40
Cisco Nexus B22 Fabric Extender Module.....	41
Dell PowerEdge M I/O Aggregator Switch.....	42
Dell Force10 MXL 10/40 GbE Switch.....	43
Mellanox M4001F/M4001Q/M4001T Infiniband Switch I/O Module.....	44
Dell PowerConnect KR 8024-k Switch.....	45
Dell PowerConnect M8428-k 10 Gb Converged Network Switch.....	46
Mellanox M2401G DDR Infiniband Switch I/O Module.....	47
Mellanox M3601Q QDR Infiniband Switch I/O Module.....	48
Cisco Catalyst Ethernet Switch I/O Modules.....	49
Dell PowerConnect M6348 1 Gb Ethernet Switch I/O Module.....	50
Dell PowerConnect M6220 Ethernet Switch I/O Module.....	51
Dell PowerConnect M8024 10 Gb Ethernet Switch I/O Module.....	52
Dell 8/4 Gbps FC SAN Module.....	53
Brocade M5424 FC8 I/O Module.....	54
I/O Modules—Pass-Through	56
Dell 4 Gbps Fibre Channel Pass-Through Module.....	56
Dell 10 GbE KR Pass-Through I/O Module.....	58
Dell 10 Gb Ethernet Pass-Through Module II.....	58
10/100/1000 Mb Ethernet Pass-Through I/O Module.....	59

4 Installing Enclosure Components..... 61

Recommended Tools.....	61
Removing And Installing A Blade.....	61
Removing A Blade.....	61

Installing A Blade.....	63
Power Supply Modules.....	63
Power Supply Blanks.....	63
AC Power Supply Modules.....	63
DC Power Supply Modules.....	65
Fan Modules.....	70
Removing A Fan Module.....	70
Installing A Fan Module.....	71
CMC Module.....	71
Removing A CMC Module.....	71
Installing A CMC Module.....	72
iKVM Module.....	73
Removing An iKVM Module.....	73
Installing An iKVM Module.....	74
I/O Modules.....	74
Removing An I/O Module.....	74
Installing An I/O Module.....	75
Enclosure Bezel.....	75
Removing The Enclosure Bezel.....	75
Installing The Enclosure Bezel.....	76
Enclosure Midplane.....	76
Removing The Front Module Cage Assembly And Midplane.....	76
Installing The Midplane And Front Module Cage Assembly.....	78
Enclosure Control Panel Assembly.....	78
Removing The Control Panel.....	78
Installing The Control Panel.....	79
LCD Module.....	79
Removing The LCD Module.....	80
Installing The LCD Module.....	80
5 Troubleshooting The Enclosure.....	81
Responding to a Systems Management Alert Message.....	81
Troubleshooting A Damaged Enclosure.....	81
Troubleshooting Enclosure Components.....	81
Troubleshooting A Wet Enclosure.....	82
Troubleshooting Power Supply Modules.....	82
Troubleshooting Fan Modules.....	83
Troubleshooting The iKVM Module.....	83
Troubleshooting I/O Modules.....	83
6 Technical Specifications.....	84
7 Getting help.....	87
Contacting Dell EMC.....	87
Quick Resource Locator.....	87
Documentation Feedback.....	88

About your system

Topics:

- [System Overview](#)
- [System Control-Panel Features](#)
- [LCD Module](#)
- [Configuration Wizard](#)
- [Back-Panel Features](#)
- [Avocent iKVM Analog Switch Module \(Optional\)](#)
- [CMC Module](#)
- [System Messages](#)
- [Documentation Matrix](#)

System Overview

Your system can include up to 16 half-height blades (server modules), eight full-height blades, eight sleeves with quarter-height blades, or a mix of the three blade types. To function as a system, a blade or sleeve is inserted into an enclosure (chassis) that supports power supplies, fan modules, a Chassis Management Controller (CMC) module, and at least one I/O module for external network connectivity. The power supplies, fans, CMC, optional iKVM module, and I/O modules are shared resources of the blades in the PowerEdge M1000e enclosure.

NOTE: To ensure proper operation and cooling, all bays in the enclosure must be populated at all times with either a module or with a blank.

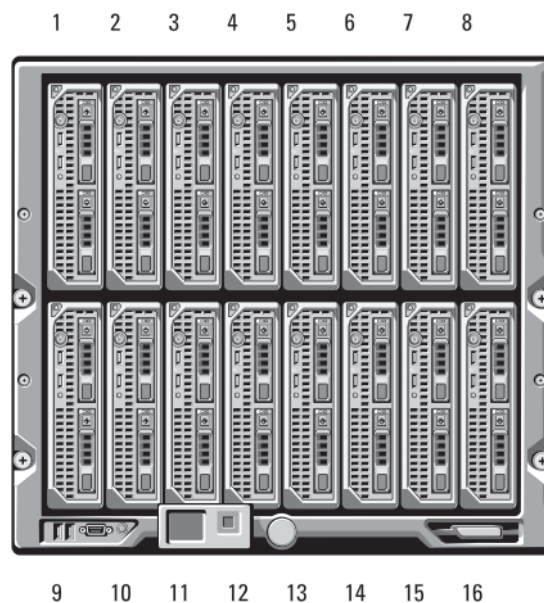


Figure 1. Blade Numbering – Half-Height Blades

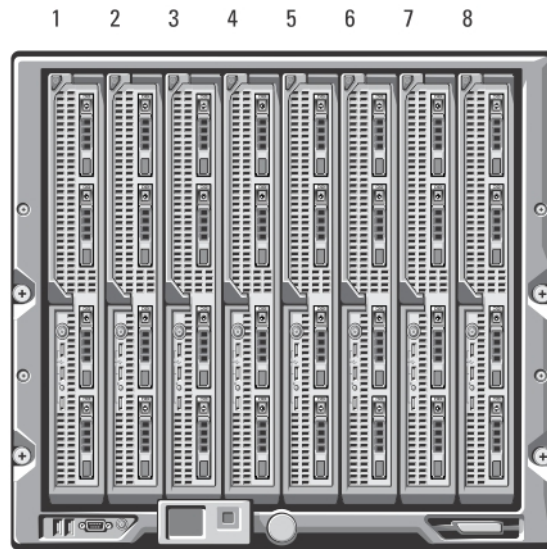


Figure 2. Blade Numbering – Full Height Blades

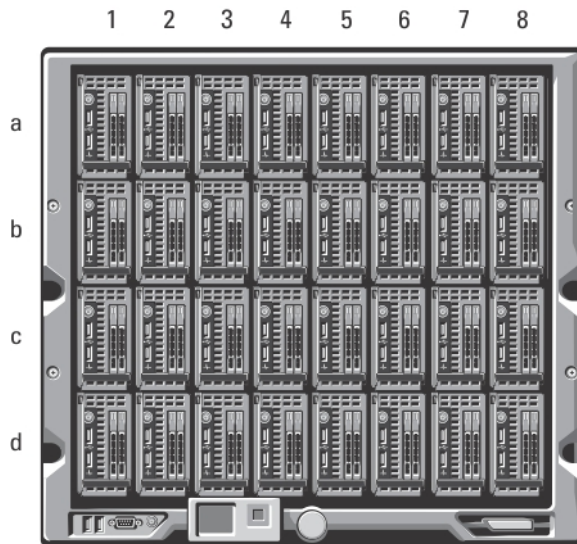


Figure 3. Blade Numbering – Quarter Height Blades

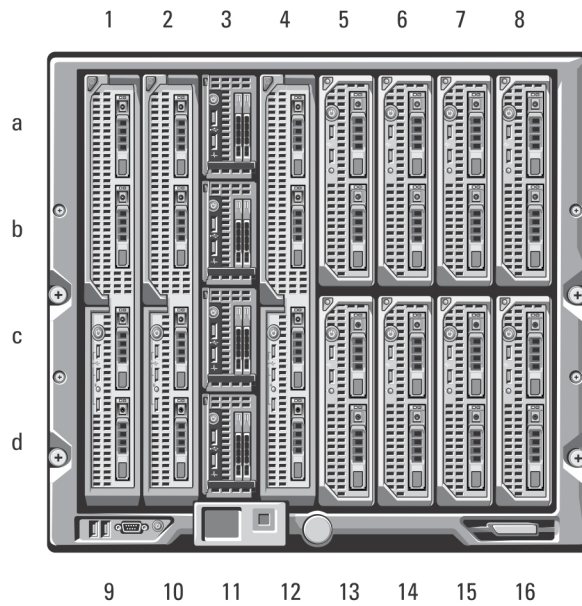


Figure 4. Blade Numbering – Mixed Full-Height, Half-Height, and Quarter-Height Blades

System Control-Panel Features

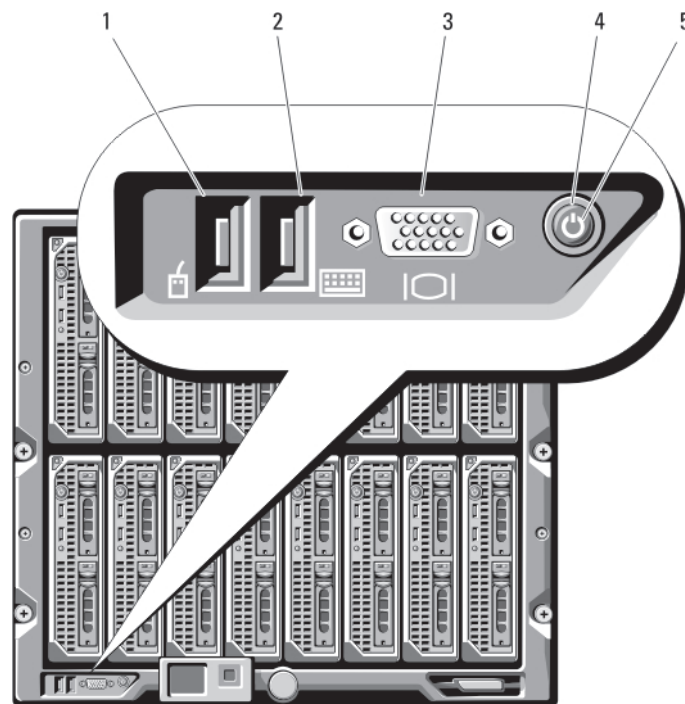





Figure 5. Control-Panel Features

- | | |
|---------------------------|-----------------------------|
| 1. USB port (mouse only) | 2. USB port (keyboard only) |
| 3. video connector | 4. system power button |
| 5. system power indicator | |

Control Panel Features	Description	
USB ports for keyboard and mouse	Icon	
	Description	<p>USB port 1 connects to the mouse and USB port 2 connects to the keyboard.</p> <p>NOTE: The USB ports are functional if an optional iKVM module is installed and front panel ports are enabled (default setting) in the CMC interface.</p> <p>NOTE: These ports do not support USB storage devices. Only connect USB storage devices to the USB ports on the front panel of the blade.</p>
Video connector	Icon	
	Description	Functional if an optional iKVM module is installed and front panel ports are enabled (default setting) in the CMC interface.
System power button	Turns the system on and off. Press to turn on the system. Press and hold 10 seconds to turn off the system.	
System power indicator	Icon	
	Indicators	<p>Off System does not have power.</p> <p>Green System power is on.</p>

LCD Module

The LCD module provides an initial configuration/deployment wizard, as well as easy access to infrastructure and blade information, and error reporting.

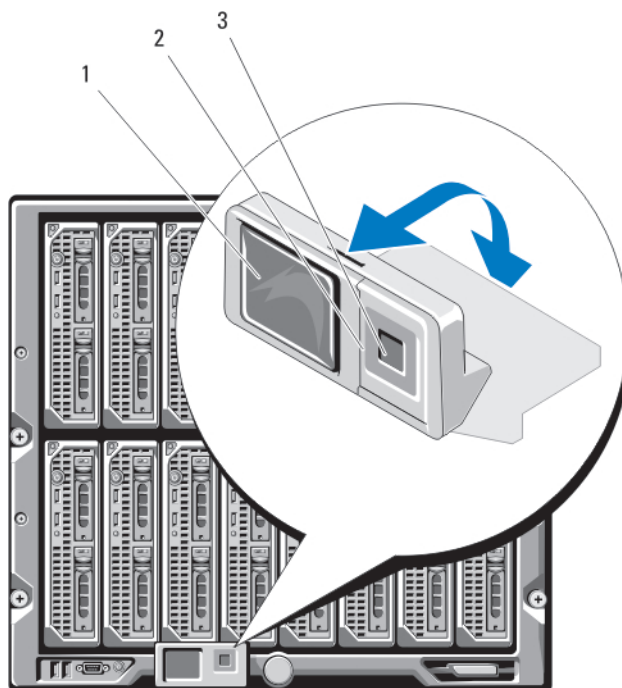


Figure 6. LCD Display

1. LCD screen
2. scroll buttons (4)

3. selection ("check") button

LCD Module Features

The primary function of the LCD module is to provide real-time information on the health and status of the modules in the enclosure.

LCD module features include:

- A deployment setup wizard that allows you to configure the CMC module's network settings during initial system set up.
- Menus to configure the iDRAC in each blade.
- Status information screens for each blade.
- Status information screens for the modules installed in the back of the enclosure, including the I/O modules, fans, CMC, iKVM, and power supplies.
- A **Network Summary** screen listing the IP addresses of all components in the system.
- Real time power consumption statistics, including high and low values, and average power consumption.
- Ambient temperature values.
- AC power information.
- Critical failure alerts and warnings.

Using The LCD Module Menus

Key	Action
Left and right arrows	Move between screens.
Up or down arrow	Move to the previous or next option on a screen.
Center button	Select and save an item and move to the next screen.

Main Menu

The Main Menu options include links to the **LCD Setup Menu**, **Server Menu**, and **Enclosure Menu**.

LCD Setup Menu

You can change the default language and start-up screen for the LCD menu screens using this menu.

Server Menu

From the **Server Menu** dialog box, you can highlight each blade in the enclosure using the arrow keys, and view its status.

- A blade that is turned off or booting is designated by a gray rectangle. An active blade is indicated by a green rectangle. If a blade has errors, this condition is indicated by an amber rectangle.
- To select a blade, highlight it and press the center button. A dialog box displays the iDRAC IP address of the blade and any errors present.

Enclosure Menu

The **Enclosure Menu** includes options for **Module Status**, **Enclosure Status**, and **Network Summary**.

- In the **Module Status** dialog box, you can highlight each component in the enclosure and view its status.
 - A module that is turned off or booting is designated by a gray rectangle. An active module is indicated by a green rectangle. If a module has errors, it is indicated by an amber rectangle.
 - If a module is selected, a dialog box displays the current status of the module and any errors present.
- In the **Enclosure Status** dialog box, you can view the enclosure status, any error conditions, and power consumption statistics.
- The **Network Summary** screen lists the IP addresses for the CMC and iDRAC in each blade, and other components in the enclosure.

Configuration Wizard

The CMC is preset for Dynamic Host Configuration Protocol (DHCP). To use a static IP address, you must toggle the CMC setting from DHCP to a static address by either running the LCD configuration wizard, or by using a management station and CLI commands. For more information, see the CMC documentation at support.dell.com/manuals.

To set up a network using the LCD configuration wizard:

1. If you have not already done so, press the chassis power button to turn it on.
The LCD screen displays a series of initialization screens as it turns on. When it is ready, the **Language Setup** screen is displayed.
2. Select a language from the options in the dialog box.
The following message is displayed on the enclosure screen: `Configure Enclosure?`
3. Press the center button to continue to the CMC **Network Settings** screen.
4. Configure the CMC network settings for your network environment:
 - Network speed
 - Duplex mode
 - Network mode (DHCP or static)
 - Static IP address, subnet mask, and gateway values (if static mode was selected)
 - DNS settings
5. If required, configure the iDRAC network settings. For more information about iDRAC, see the iDRAC User's Guide at support.dell.com/manuals.

NOTE: The configuration wizard automatically configures each blade's iDRAC internal network interface if you do not choose to manually configure the iDRAC settings.

NOTE: You cannot set a static IP address for the iDRAC using the LCD configuration wizard. To set a static IP address, use the CMC web-based interface or Remote Access Controller Administrator (RACADM).

6. Review the settings on the **Network Summary** screen:
 - If the settings are correct, press the center button to close the configuration wizard and return to the **Main Menu**.
 - If the settings are not correct, use the left arrow key to return to the screen for that setting and correct it.

After you complete the configuration wizard, the CMC is available on your network.

Back-Panel Features

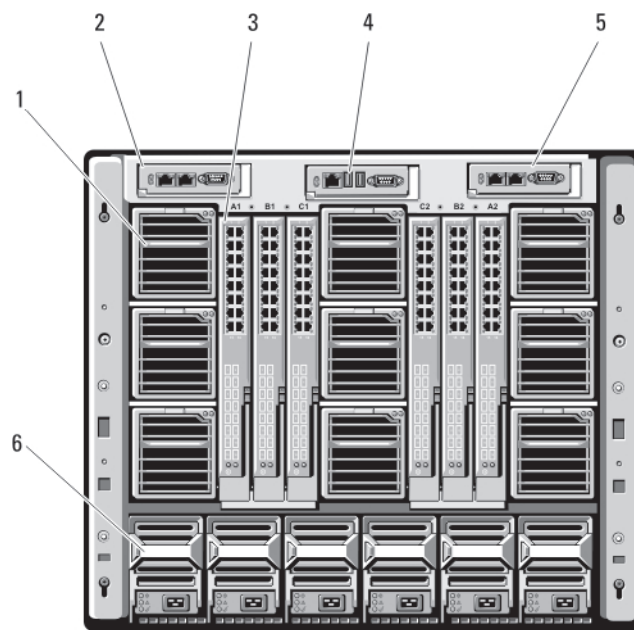


Figure 7. Back-Panel Features

1. fan modules (9)
2. primary CMC module

- 3. I/O modules (6)
- 5. secondary CMC module

- 4. optional iKVM module
- 6. power supplies (6)

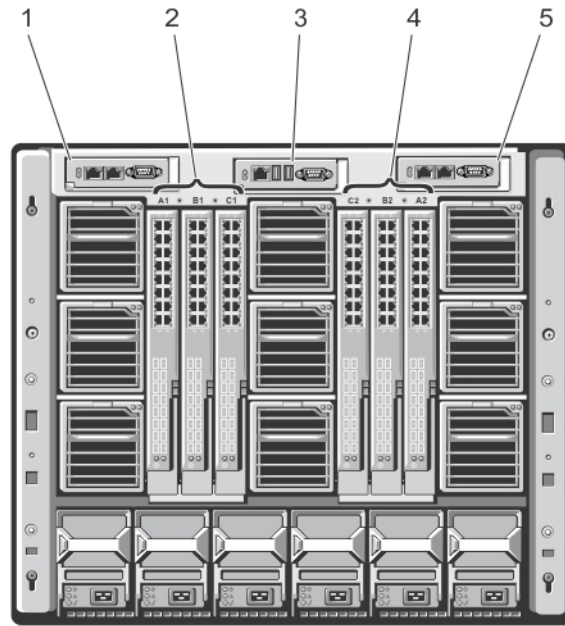


Figure 8. Back-Panel Module Bay Numbering

- 1. CMC 1 (primary CMC module)
- 2. A1 B1 C1 (left I/O modules)
- 3. iKVM (iKVM module)
- 4. C2 B2 A2 (right I/O modules)
- 5. CMC 2 (secondary CMC module)

Power Supply Indicators

NOTE: The AC power supplies must be connected to a Power Distribution Unit (PDU), not directly to an electrical outlet. For DC power supplies, plug the other end of the power cables to a branch circuit-protective ground DC power source of $-(48-60)$ V DC.

- A 2700 W power supply requires a 100 V to 240 V power source.
- The 2700 W power supply provides 1350 W input power, if connected to a 110 V AC power source (optional).
- A 3000 W power supply can only be connected to a 200 V AC-240 V AC power source.

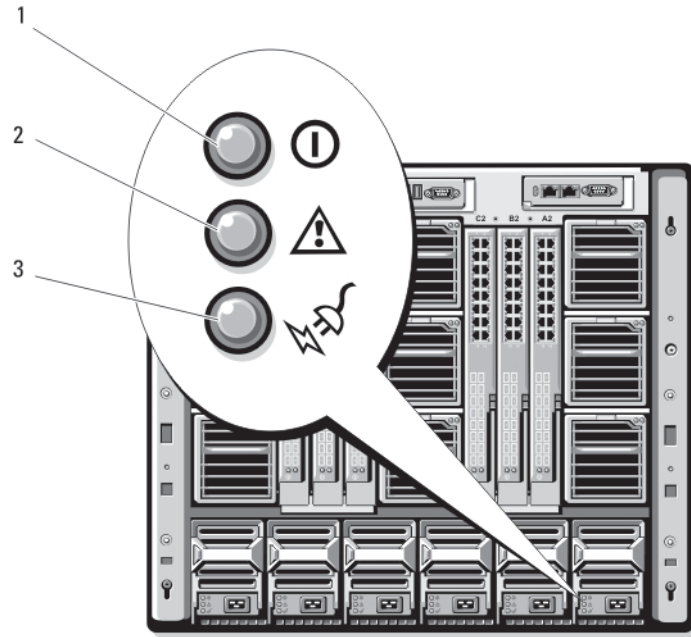





Figure 9. Power Supply Indicators

1. DC power output indicator
2. power supply fault indicator
3. AC power indicator

The power supply indicators provide the following information:

Indicator	Description
DC power output indicator	<p>Icon </p> <p>Description Green indicates that the power supply is operational and providing DC power to the system.</p>
Power supply fault indicator	<p>Icon </p> <p>Description Amber indicates a problem with the power supply, which can result from either a failed power supply or a failed fan within the power supply.</p>
AC power source present indicator	<p>Icon </p> <p>Description Green indicates that a valid AC source is connected to the power supply and is operational.</p>

Fan Module Indicators

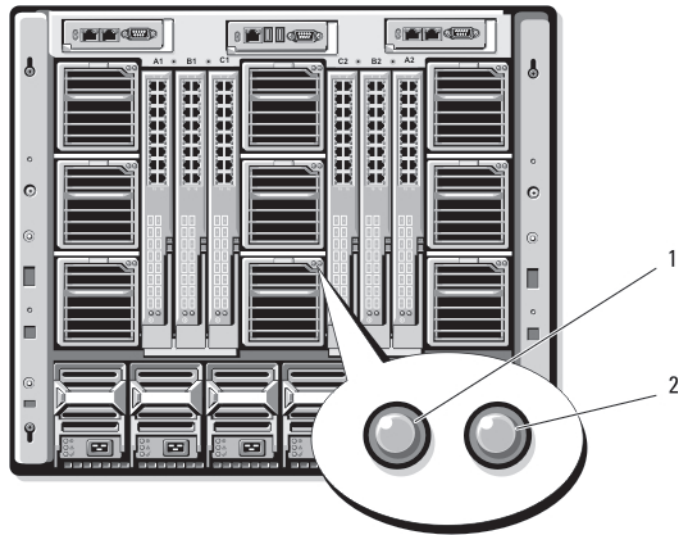


Figure 10. Fan Module Indicators

- 1. fan power indicator
- 2. fan fault indicator

The indicators provide the following information:

Indicator	Description	
Fan power indicator	Solid Green	The fan is receiving DC power and working properly.
	Off	The fan has failed.
Fan fault indicator	Amber	The fan is in a fault condition.

Avocent iKVM Analog Switch Module (Optional)

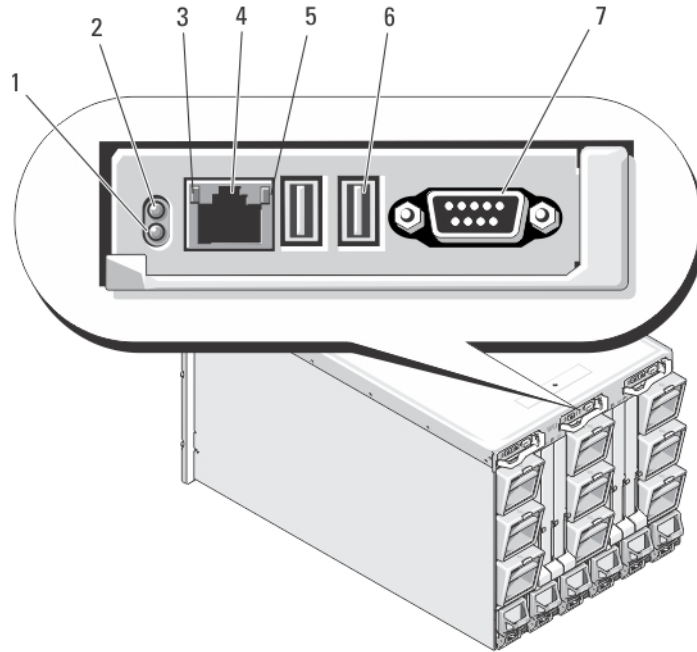


Figure 11. Avocent iKVM Switch Module

- 1. status/identification indicator
- 2. power indicator
- 3. link indicator
- 4. Analog Console Interface (ACI) port (for tiering connection only)
- 5. activity indicator
- 6. USB connectors (2) for keyboard and mouse
- 7. video connector

CAUTION: Do not connect the ACI port to a LAN device such as a network hub. Doing so may result in equipment damage.

Avocent Analog iKVM Switch Module Indicators

Module Indicator	Description
Power indicator	Off iKVM switch does not have power.
	Green iKVM switch has power.
	Green flashing Firmware upgrade in progress.
Status/ Identification indicator	Blue blinking iKVM module is being identified.
	Amber flashing System fault or error condition.
USB connectors	Allows a keyboard and mouse to be connected to the system.
Video connector	Allows a monitor to be connected to the system.
ACI port	Allows connection of one or more servers to a Dell console switch with an Analog Rack Interface (ARI) port, such as an external digital or analog switch.
Link indicator	Off The ACI is not connected to the external switch.
	Green The ACI is connected to the external switch.

Module Indicator	Description	
Activity indicator	Off	Data is not being sent or received.
	Amber blinking	Data is being sent or received.

Avocent Analog iKVM Switch Module Features

- Local iKVM access can be remotely disabled on a per blade basis, using the blade's iDRAC interface (access is enabled by default).
 - NOTE: A console session (enabled by default) to a given blade is available for both iDRAC interface and iKVM users. Users connected to a blade's console using iDRAC and the iKVM see the same video and are able to type commands. If not required, sharing can be disabled using the iDRAC console interface.**
- One VGA connector. The iKVM supports a video display resolution range from 640 x 480 at 60 Hz up to 1280 x 1024 x 65,000 colors (non-interlaced) at 75 Hz.
- Two USB ports for keyboard and mouse.
 - NOTE: The iKVM USB ports do not support storage devices.**
- RJ-45 Analog Console Interface (ACI) port for tiering with Dell and Avocent analog KVM and KVM over IP switches with Analog Rack Interface (ARI) ports.
 - NOTE: Although the ACI port is an RJ-45 connector and uses Cat5 (or better) cabling, it is not an Ethernet network interface port. It is only used for connection to external KVM switches with ARI ports, and does not support native KVM over IP.**
- The iKVM can also be accessed from the front of the enclosure, providing front or rear panel KVM functionality, but not at the same time. For enhanced security, front panel access can be disabled using the CMC's interface.
 - NOTE: Connecting a keyboard, video, and mouse to the enclosure front panel disables video output to the iKVM back panel port. It does not interrupt iDRAC video and console redirection.**
- You can use the iKVM to access the CMC console directly, using RACADM or using the web-based interface. For more information, see Using the iKVM Module in the CMC User's Guide at support.dell.com/manuals.

CMC Module

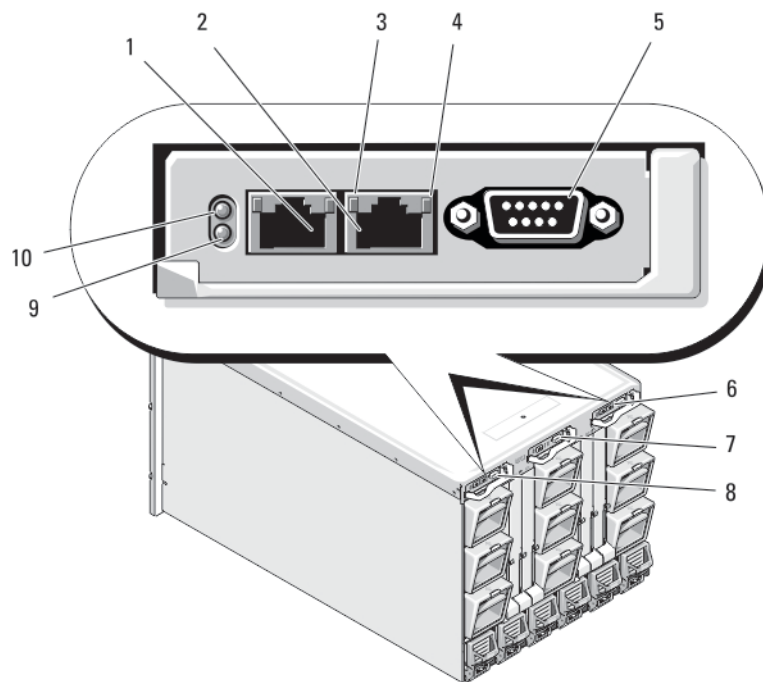


Figure 12. CMC Module Features

- | | |
|--|---|
| 1. Ethernet connector Gb1 | 2. Ethernet connector STK ("stack") - used for daisy-chaining CMCs in separate enclosures |
| 3. Link indicator | 4. Activity indicator |
| 5. DB-9 serial connector for local configuration | 6. Optional secondary CMC (CMC 2) |
| 7. Optional iKVM module | 8. Primary CMC (CMC 1) |
| 9. Blue status/identification indicator | 10. Power indicator |

CMC Module Features

The CMC provides the following multiple systems management functions for your modular server:

- Enclosure-level real-time automatic power and thermal management.
 - Monitors system power requirements and supports the optional Dynamic Power Supply Engagement (DPSE) mode. The DPSE mode improves power efficiency by allowing the CMC to dynamically place power supplies in standby mode, depending on the load and redundancy requirements.
 - Reports real-time power consumption, which includes logging high and low points with a time stamp.
 - Supports setting an optional enclosure Maximum Power Limit, which either alerts or takes actions, such as throttling server modules and/or preventing the power up of new blades to keep the enclosure under the defined maximum power limit.
 - Monitors and automatically controls cooling fans based on actual ambient and internal temperature measurements.
 - Provides comprehensive enclosure inventory and status/error reporting.
- CMC fail-safe mode. For more information, see CMC Fail-Safe Mode.
- The CMC provides a mechanism for centralized configuration of the following:
 - The enclosure's network and security settings
 - Power redundancy and power ceiling settings
 - **NOTE: Modifying the modular enclosure redundancy policy is recommended to be performed while the modular enclosure is powered off.**
 - I/O switches and iDRAC network settings
 - First boot device on the server blades
 - Checks I/O fabric consistency between the I/O modules and blades and disables components if necessary to protect the system hardware
 - User access security

NOTE: It is recommended that you isolate chassis management from the data network. Dell cannot support or guarantee uptime of a chassis that is improperly integrated into your environment. Due to the potential of traffic on the data network, the management interfaces on the internal management network can be saturated by traffic intended for servers. This results in CMC and iDRAC communication delays. These delays may cause unpredictable chassis behavior, such as CMC displaying iDRAC as offline even when it is up and running, which in turn causes other unwanted behavior. If physically isolating the management network is impractical, the other option is to separate CMC and iDRAC traffic to a separate VLAN. The CMC and individual iDRAC network interfaces can be configured to use a VLAN with the `racadm setniccfg` command. For more information, see the *Dell Chassis Management Controller Administrator Reference Guide* at support.dell.com/manuals.

CMC Fail-Safe Mode

Similar to the failover protection offered by the redundant CMC, the M1000e enclosure enables the fail-safe mode to protect the blades and I/O modules from failures. The fail-safe mode is enabled when no CMC is in control of the chassis. During the CMC failover period or during a single CMC management loss:

- you cannot turn on newly installed blades
- existing blades cannot be accessed remotely
- chassis cooling fans run at 100% for thermal protection of the components
- blade performance reduces to limit power consumption until management of the CMC is restored

The following are some of the conditions that can result in CMC management loss:

Condition	Description
CMC removal	Chassis management resumes after replacing CMC, or after failover to standby CMC.
CMC network cable removal or network connection loss	Chassis management resumes after the chassis fails over to the standby CMC. Network failover is only enabled in redundant CMC mode.
CMC reset	Chassis management resumes after the CMC reboots or chassis fails over to the standby CMC.
CMC failover command issued	Chassis management resumes after the chassis fails over to the standby CMC.
CMC firmware update	Chassis management resumes after the CMC reboots or chassis fails over to the standby CMC. It is recommended that you update the standby CMC first so that there is only one failover event. For more information on updating the CMC firmware, see the CMC User's Guide at support.dell.com/manuals .
CMC error detection and correction	Chassis management resumes after the CMC resets or chassis fails over to the standby CMC.

NOTE: You can configure the enclosure with a single CMC or with redundant CMCs. In redundant CMC configurations, if the primary CMC loses communication with the enclosure or the management network, the standby CMC takes over chassis management.

Daisy-Chain CMC Network Connection

Each CMC has two RJ-45 Ethernet ports, labeled GB (the uplink port) and STK (the stacking or cable consolidation port). With basic cabling, you can connect the GB port to the management network and leave the STK port unused.

CAUTION: Connecting the STK port to the management network can have unpredictable results. Cabling GB and STK to the same network (broadcast domain) can cause a broadcast storm.

If you have multiple chassis in a rack, you can reduce the number of connections to the management network by daisy-chaining up to four chassis together. If each of the four chassis contains a redundant CMC, by daisy-chaining you can reduce the number of management network connections required from eight to two. If each chassis has only one CMC, you can reduce the connections required from four to one.

When daisy-chaining chassis together, GB is the uplink port and STK is the stacking (cable consolidation) port. Connect the GB ports to the management network or to the STK port of the CMC in a chassis that is closer to the network. You must connect the STK port only to a GB port further from the chain or network.

Create separate chains for the CMCs in the active CMC slot and the second CMC slot.

NOTE: At least one CMC must be installed for the system to power up. If a second, optional CMC module is installed, failover protection and hot-swap replacement is available. See the latest CMC User's Guide at support.dell.com/manuals for complete instructions on how to set up and operate the CMC module.

The following figure illustrates the arrangement of cables for four daisy-chained chassis, each with active and standby CMCs.

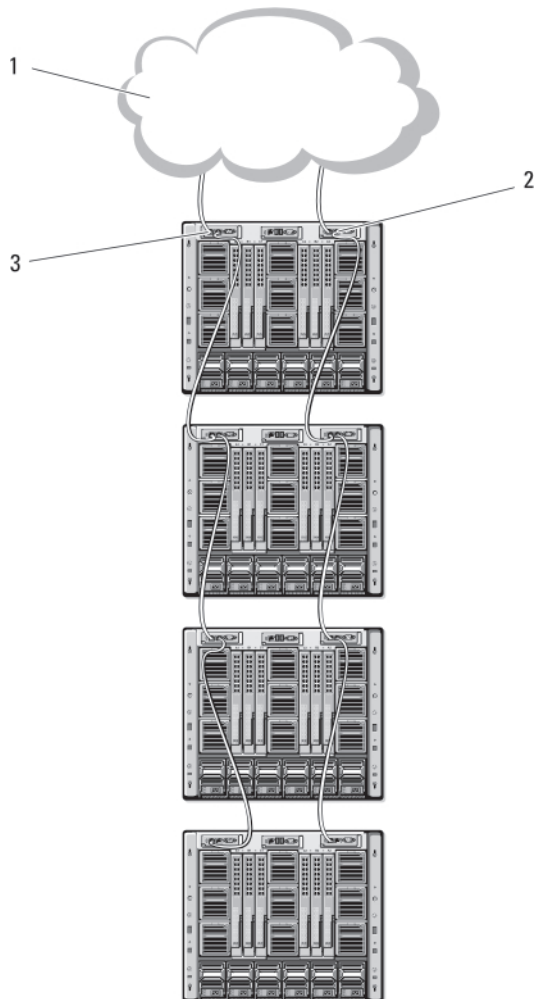


Figure 13. CMC Daisy-Chaining

1. management network
2. secondary CMC
3. primary CMC

System Messages

System messages related to the blades in the enclosure may appear on the monitor screen to notify you of a possible problem with a blade. For a detailed listing of these error messages, including possible causes and solutions, see the blade documentation.

Documentation Matrix

The documentation matrix provides information about documents that you can refer to, for setting up and managing your system.

Table 1. Documentation Matrix

To...	Refer to...
Install your system into a rack	Rack documentation included with your rack solution

To...	Refer to...
Set up your system and know the system technical specifications	Getting Started Guide
Install the operating system	Operating system documentation at dell.com/operatingsystemmanuals
Get an overview of the Dell Systems Management offerings	Dell OpenManage Systems Management Overview Guide at dell.com/openmanagemanuals
Install, configure, and use the Chassis Management Controller (CMC)	CMC User's Guide at dell.com/esmmanuals
Know about the RACADM subcommands and supported RACADM interfaces	RACADM Command Line Reference Guide for iDRAC and CMC at dell.com/esmmanuals
Launch, enable and disable Lifecycle Controller, know the features, use, and troubleshoot Lifecycle Controller	Dell Lifecycle Controller User's Guide at dell.com/esmmanuals
Use Lifecycle Controller Remote Services	Dell Lifecycle Controller Remote Services Quick Start Guide at dell.com/esmmanuals
Set up, use, and troubleshoot OpenManage Server Administrator	Dell OpenManage Server Administrator User's Guide at dell.com/openmanagemanuals
Install, use, and troubleshoot OpenManage Essentials	Dell OpenManage Essentials User's Guide at dell.com/openmanagemanuals
Know the system features, remove and install system components, and troubleshoot components	Owner's Manual at dell.com/poweredge manuals
Know the blade features, remove and install blade components, troubleshoot blade components	Blade Owner's Manual at dell.com/poweredge manuals
Configure and log in to iDRAC, set up managed and management system, know the iDRAC features, and troubleshoot using iDRAC	Integrated Dell Remote Access Controller User's Guide at dell.com/esmmanuals
Know about I/O module features, configure the I/O module, and additional I/O module information	I/O module documentation at dell.com/poweredge manuals
Know the features of the storage controller cards, deploy the cards, and manage the storage subsystem	Storage controller documentation at dell.com/storagecontrollermanuals
See the event and error messages generated by the system firmware and agents that monitor system components	Dell Event and Error Messages Reference Guide at dell.com/esmmanuals

Quick Resource Locator

Use the Quick Resource Locator (QRL) to get immediate access to system information and how-to videos. This can be done by visiting dell.com/QRL or by scanning a model specific QR code located on your Dell PowerEdge system using your smartphone. You can also access your system information and how-to videos by scanning the following QR code.



Figure 14. Quick Resource Locator

Initial system configuration

Before You Begin

CAUTION: The enclosure power supplies must be connected to a Type B or permanently-connected PDU and not directly to an electrical outlet. The AC power supplies require a 100 V to 120 V or 200 V to 240 V power source. You can select only one AC power input, as the system does not operate at both ranges simultaneously. For DC power supplies, plug the other end of the power cables to a branch circuit-protective ground DC power source of $-(48-60)$ V DC.

If your network uses static addressing, you need the IP address, subnet mask, and gateway to configure the CMC and other modules in the enclosure.

Initial Setup Sequence

NOTE: Follow the instructions on the enclosure chassis and remove the blades and power supplies before lifting and installing the system. Reinstall the blades and power supplies after you install the chassis in the rack.

1. Unpack the enclosure and install it in a rack.

For more information, see the *Getting Started Guide* and *Rack Installation Guide* at support.dell.com/manuals.

CAUTION: Do not turn on the blades (server modules) until you have configured the switch modules.

2. Connect the power supply units to a PDU.
3. If an optional iKVM module is installed, connect the keyboard, video, and mouse to the enclosure control panel or to the iKVM module.

NOTE: Connecting a keyboard, video, and mouse to the enclosure control panel disables video output to the iKVM back panel port.

4. Press the power button on the enclosure control panel.
5. Configure the CMC network settings.
The LCD configuration wizard allows you to quickly configure the CMC and iDRAC management interfaces and manage the enclosure remotely. You can also use a management station and the RACADM CLI to configure the CMC.
6. Configure the I/O modules to allow proper network or storage management or paths.
7. After the Ethernet and fibre channel switches are configured, you can turn on your server blades. This allows time for the Ethernet switch to boot and allow PXI\UNDI traffic for all blade modules.

Initial CMC Network Configuration

The CMC is preset for DHCP. To use a static IP address, you must toggle the CMC setting from DHCP to a static address by either running the LCD configuration wizard, or by using a management station and CLI commands.

If toggled to use a static address, the CMC IP address defaults to the standard IP address settings of 192.168.0.120, 255.255.255.0, and gateway of 192.168.0.1. You can change this address to an IP address of your choice.

Configuring The CMC Using The LCD Configuration Wizard

When you first boot your system, the screen on the LCD module directs you to configure the CMC network settings.

NOTE: The option to configure the enclosure using the LCD configuration wizard is only available until the CMC default password is changed or when the LCD configuration wizard is complete. Thereafter, use the RACADM CLI or the web-based GUI to change the CMC settings.

NOTE: The serial null modem cable for the CMC is an option. You can access the CLI using the 17th blade feature on the embedded iKVM module. Blade number 17 is a direct local connection to the CMC.

1. Choose a language from the options in the dialog box.
2. Start the LCD configuration wizard.
3. Configure the CMC network settings for your network environment.
 - Network speed
 - Duplex mode
 - Protocol (IPv4 and/or IPv6)
 - Network mode (DHCP or static)
 - Static IP address, subnet mask, and gateway values (if static mode was selected)
 - DNS setting, including a registered CMC name, (if DHCP mode was selected)

NOTE: The CMC external management network mode is set by default to DHCP. To use a static IP address, you must change the setting using the LCD configuration wizard.

4. If required, configure the iDRAC network setting for DHCP mode.

NOTE: You cannot set a static IP address for the iDRAC using the LCD configuration wizard. To set the static IP address, use the web-based interface.

5. Review the settings on the **Network Summary** screen:
 - If the settings are correct, press the center button to close the configuration wizard and return to the Main Menu.
 - If the settings are not correct, use the left-arrow key to return to the screen for that setting and make the appropriate changes.

The **Network Summary** screen lists the IP addresses for the CMC and the iDRAC network settings.

After you complete the LCD configuration wizard, you can access the CMC on the network using the web-based CMC interface or text-based interfaces such as a serial console, Telnet, or SSH.

NOTE: If you want to use static addresses rather than DHCP to access the iDRACs, you must configure them using the CMC web-based interface or CLI.

Configuring The CMC Using A Management Station And CLI

The LCD configuration wizard is the quickest way to initially configure the CMC network settings. However, you can also use a management station and a local connection to access the CMC.

There are two ways to create a local connection to the CMC:

- The CMC Console, using the optional iKVM. Press <Prnt Scrn> and select blade number 17.
- Serial connection, using an optional null modem cable (115200 bps, 8 data bits, no parity, 1 stop bit, and no flow control).

Once you have established a connection to the CMC, you can complete the initial CMC network configuration.

1. Log in to the CMC.
The default user name is `root` and the default password is `calvin`.
2. Type `getniccfg` and press <Enter> to view the current CMC network parameters.
3. Configure the CMC network settings:

- To set a static IP address, type

```
setniccfg -s <IP address><network mask><gateway>
```

and press <Enter>.

- To configure the CMC to obtain an IP address using DHCP, type

```
setniccfg -d
```

and press <Enter>.

The new network settings are activated in a few seconds after configuring the network.

Logging In To The CMC Using The Web-Based Interface

1. Open a supported web browser window.
For current information on supported web browsers, see the CMC User's Guide at support.dell.com/manuals.
2. Log in to the CMC.
 - If the CMC is accessed using a specific IP address, type the following URL in the **Address** field, and then press <Enter>:
https://<CMC IP address>
The default IP address for the CMC is 192.168.0.120. If the default HTTPS port number (port 443) has been changed, type:
https://<CMC IP address>:<port number>
where <CMC IP address> is the IP address for the CMC and <port number> is the HTTPS port number.
 - If you access the CMC using a registered DNS name, type the CMC's name:
https://<CMC name>
By default, the CMC name on the DNS server is cmc-<service tag>
The **CMC Login** page is displayed.

NOTE: The default CMC user name is `root`, and the password is `calvin`. The root account is the default administrative account that ships with the CMC. For added security, you must change the default password of the root account during initial setup.

NOTE: The CMC does not support extended ASCII characters, such as ß, å, é, ü, or other characters used primarily in non-English languages.

NOTE: You cannot log in to the web-based interface with different user names in multiple browser windows on a single workstation.

You can log in as either a CMC user or as Directory Service user in Microsoft Active Directory or Lightweight Directory Access Protocol Services (LDAP).

3. In the **Username** field, type your user name:
 - CMC user name: <user name>
 - Active Directory user name: <domain>\<user name>
 - LDAP user name: <user name>
4. In the **Password** field, type your CMC user password or Active Directory user password.

NOTE: This field is case sensitive.

NOTE: This field is case-sensitive.

Adding And Managing CMC Users

From the **Users** and **User Configuration** pages in the web-based interface, you can view information about CMC users, add a new user, and change settings for an existing user.

NOTE: For added security, it is highly recommended that you change the default password of the root (User 1) account. The root account is the default administrative account that ships with the CMC.

To change the default password for the root account, click **User ID 1** to open the **User Configuration** page. Help for that page is available through the **Help** link at the top right corner of the page.

NOTE: You must have **User Configuration Administrator** privileges to perform the following steps.

1. Log in to the web-based interface.
2. Select **Chassis** in the system tree.
3. Click the **Network/Security** tab, and then click the **Users** sub-tab.
The **Users** page is displayed, listing each user's user ID, login state, user name, and CMC privilege, including those of the root user. User IDs available for configuration have no user information displayed.

4. Click an available user ID number. The **User Configuration** page is displayed.
To refresh the contents of the **Users** page, click **Refresh**. To print the contents of the **Users** page, click **Print**.
5. Select general settings for the users.
For details on user groups and privileges, see the CMC User's Guide at support.dell.com/manuals.
6. Assign the user to a CMC user group.

You can customize the privileges settings for the user by using the check boxes. After you have selected a CMC Group or made Custom user privilege selections, click **Apply Changes** to save the settings.

When you select a user privilege setting from the **CMC Group** drop-down menu, the enabled privileges (shown as checked boxes in the list) are displayed according to the pre-defined settings for that group.

Configuring iDRAC Networking Using The Web-Based Interface

Follow this procedure to configure the iDRAC in the LCD configuration wizard.

NOTE: If you did not configure the iDRAC using the LCD configuration wizard, iDRAC is disabled until you configure it using the web-based interface.

NOTE: You must have Chassis Configuration Administrator privileges to set up iDRAC network settings from the CMC.

NOTE: The default CMC user name is `root` and the default password is `calvin`.

1. Log in to the web-based interface.
2. Click the plus (+) symbol next to **Chassis** in the left column, then click **Servers**.
3. Click **Setup > Deploy**.
4. Select the protocol for the iDRAC setting (IPv4 and/or IPv6).
5. Under **Enable Lan**, select the check box next to the server to enable **LAN for iDRAC**.
6. Under **Enable IPMI over LAN**, select or clear the check box next to the server to enable or disable IPMI over LAN.
7. Under **DHCP Enabled**, select or clear the check box next to the server to enable or disable DHCP for iDRAC.
8. If DHCP is disabled, enter the static IP address, netmask, and default gateway for the iDRAC.
9. Click **Apply** at the bottom of the page.

Setting The First Boot Device For Servers

The **First Boot Device** page allows you to specify the boot device for each blade. You can set the default boot device and also set a one-time boot device. This allows you to boot using a special image to perform tasks such as running diagnostics or reinstalling an operating system.

To set the first boot device for some or all servers in the chassis:

1. Log in to the CMC web-based interface.
2. Click **Servers** in the system tree and then click **Setup > Deploy First Boot Device**. A list of servers is displayed, one per row.
3. Select the boot device you want to use for each server from the list box.
4. If you want the server to boot from the selected device every time it boots, clear the **Boot Once** check box for the server.
If you want the server to boot from the selected device only on the next boot cycle, select the **Boot Once** check box for the server.
5. Click **Apply**.

Configuring And Managing Power

You can use the web-based and RACADM interfaces to manage and configure power controls on the CMC, as outlined in the following sections. For more information on the various power management options, see the CMC User's Guide at support.dell.com/manuals.

The CMC's power management service optimizes power consumption for the entire chassis (the chassis, servers, I/O modules, iKVM, CMC, and PSUs) and re-allocates power to different modules based on the demand.

NOTE: To perform power management actions, you must have Chassis Control Administrator privileges.

1. Log in to the CMC web-based interface.
2. Select **Chassis** in the system tree.
3. Click the **Power Management** tab. The **Power Budget Status** page is displayed.
4. Click the **Configuration** sub-tab. The **Budget/Redundancy Configuration** page is displayed.
5. Configure the power budget and redundancy settings based on the components in the enclosure and your needs.
6. Click **Apply** to save your changes.

Installing Or Updating The CMC Firmware

NOTE: It is normal for some or all of the fan units to spin at 100 percent during CMC or iDRAC firmware updates on a server.

NOTE: In a redundant CMC configuration, care must be taken to update CMC firmware on both modules. Failure to do so may cause unexpected behavior during a CMC failover or failback. Use the following procedure for redundant CMC deployments.

1. Locate the secondary or standby CMC by using the RACADM `getsysinfo` command, or by using the **Chassis Summary** page in the web-based interface. Visually, the status indicator is solid blue on the primary or active CMC module and off on the standby or secondary CMC.
2. Update the firmware on the standby CMC first, using the web-based interface or RACADM.
3. Verify that the secondary or standby CMC's firmware is at the requested level with the `getsysinfo` command or using the web-based interface.
4. After the standby CMC has rebooted, update the firmware on the active or primary CMC. Allow 10 minutes for the standby CMC to boot.
5. Verify that the active or primary CMC firmware is at the requested level using the `getsysinfo` command or using the web-based interface.
6. Once both CMCs are updated to the same firmware revision, use the `cmchangeover` command to reset the CMC in the left slot as primary.

Downloading The CMC Firmware

Before beginning the firmware update, download the latest firmware version from **support.dell.com**, and save it to your local system. The following software components are included with your CMC firmware package:

- Compiled CMC firmware code and data
- Web-based interface, JPEG, and other user interface data files
- Default configuration files

Use the **Firmware Update** page to update the CMC firmware to the latest revision. When you run the firmware update, the update retains the current CMC settings. The following is the link to the M1000e downloads page: <https://www.dell.com/support/home/us/en/19/product-support/product/poweredge-m1000e/drivers>

NOTE: The firmware update, by default, retains the current CMC settings. During the update process, you have the option to reset the CMC configuration settings back to the factory default settings.

Updating The CMC Firmware Using The Web-Based Interface

1. Log in to the web-based interface.
2. Click **Chassis** in the system tree.
3. Click the **Update** tab. The **Updatable Components** page is displayed.
4. On the **Updatable Components** page, click the CMC name. The **Firmware Update** page is displayed.
5. In the **Value** field, type the path on your management station or shared network where the firmware image file resides, or click **Browse** to navigate to the file location.

NOTE: The default CMC firmware image name is `firmimg.cmc` and this filename must not be changed. Ensure that you keep different firmware revisions separated as the file name always remains the same.

6. Click **Update**. A dialog box prompts to confirm the action.
7. Click **Yes** to continue. The firmware transfer process begins and the status displays the message `Firmware Update in Progress`. After the CMC update is complete, the CMC is reset and you must refresh the **User Interface** page to log in again.

Updating The CMC Firmware Using RACADM

1. Open a CMC command line console and log in.
2. Type:

```
racadm fwupdate -g -u -a <TFTP server IP address> -d <filepath> -m <cmc-active|cmc-standby>
```

For complete instructions on how to configure and operate the CMC module, see the latest CMC User's Guide at support.dell.com/manuals.

Configuring The Optional iKVM Switch Module

Updating The iKVM Firmware

NOTE: The iKVM resets and becomes temporarily unavailable after the firmware has been uploaded successfully.

1. Log in to the CMC web-based interface.
2. Select **Chassis** in the system tree.
3. Click the **Update** tab. The **Updatable Components** page is displayed.
4. Click the iKVM name. The **Firmware Update** page is displayed.
5. In the **Value** field, type the path on your management station or shared network where the firmware image file resides, or click **Browse** to navigate to the file location.

NOTE: The default iKVM firmware image name is `ikvm.bin`. However, the iKVM firmware image name can be renamed. If you are unable to locate `ikvm.bin`, verify if another user has renamed the file.

6. Click **Update**. A dialog box prompts you to confirm the action.
7. Click **Yes** to continue.

When the update is complete, the iKVM resets.

Tiering The Avocent iKVM Switch From A Digital KVM Switch

The iKVM module may also be tiered from a digital KVM switch such as the Dell 2161DS-2 or 4161DS, or a supported Avocent digital KVM switch. Many switches may be tiered without the need for a Server Interface Pod (SIP).

The cabling requirements for various external digital KVM switches are as follows:

- Dell PowerConnect 2161DS, 4161DS, 2161DS-2, 2321DS (version 1.3.40.0 or later) or Avocent DSR x02x (except 1024), x03x (version 3.6 or later): Seamless tiering using ACI port and Cat 5 cable
- Avocent DSR 800, x16x, x010, 1024: Avocent USB SIP (DSRIQ-USB) with Cat 5 cable

To tier the iKVM module from a Dell 2161DS, 180AS, or 2160AS console switch:

- *If the switch does not require a SIP to connect to the iKVM*, connect a Cat 5 (or newer) cable to the RJ-45 ACI port on the iKVM module. Connect the other end of this cable to the ARI port on the external switch.
- *If the switch requires a USB SIP*, connect an Avocent USB SIP to the iKVM, then connect a Cat 5 (or newer) cable to the SIP. Connect the other end of this cable to the ARI port on the external switch.

Once the KVM switch is connected, the server modules are displayed in OSCAR.

NOTE: You must also re-synchronize the server list from the Remote Console Switch software to view the list of blades.

Tiering The Avocent iKVM Switch From An Analog KVM Switch

The Avocent iKVM switch can be tiered from analog KVM switches such as the Dell 2160AS and 180AS, as well as many Avocent analog KVM switches. Many switches may be tiered without the need for a SIP.

The cabling requirements for specific external switches are as follows:

- Dell PowerConnect 180AS, 2160AS (version 1.0.3.2 or later) or Avocent Autoview 2020, 2030 (version 1.6.0.4 or later): Seamless tiering using ACI port and Cat 5 cable
- Avocent Autoview 1400, 1500, 2000, 1415, 1515, 2015u: Avocent USB SIP (DSRIQ-USB) required with Cat 5 cable

Before connecting the iKVM switch to a supported analog switch, you must set the display in slot order, and set the Screen Delay Time to 1 or more seconds:

1. Press <Prnt Scrn> to launch the iKVM Switch OSCAR.
2. Click **Setup > Menu**. The **Menu** dialog box is displayed.
3. Select **Slot** to display servers numerically by slot number.
4. Set a screen delay time of at least 1 second.
5. Click **OK**.

Setting the Screen Delay time to 1 second allows you to soft switch to a server without launching OSCAR.

NOTE: Soft switching allows you to switch servers using a hot key sequence. To soft switch to a server, press <Prnt Scrn> and type the first few characters of its name or number. If you have a Delay Time set and you press the key sequences before that time has elapsed, OSCAR does not display.

Configuring The Analog Switch

1. Press <Prnt Scrn> to launch the iKVM Switch OSCAR.
2. Click **Setup > Devices > Device Modify**.
3. Select the 16-port option to match the number of blades in your system.
4. Click **OK** to exit OSCAR.
5. Press <Prnt Scrn> to verify that the settings have taken effect. The slot number of the blade to which the iKVM switch is now attached must be expanded to display each of the slot locations of the blades in the system. For instance, if the iKVM switch is attached to slot 1, it must be displayed as 01-01 to 01-16.
6. Connect the Avocent iKVM switch to a supported analog switch:
If the switch does not require a SIP to connect to the iKVM, connect a Cat 5 (or newer) cable to the RJ-45 ACI port on the iKVM module. Connect the other end of this cable to the ARI port on the external switch.
If the analog switch requires a USB SIP, connect an Avocent USB SIP to the iKVM, then connect a Cat 5 (or newer) cable to the SIP. Connect the other end of this cable to the ARI port on the external switch.
7. Connect both the analog switch and the system to an appropriate power source.
8. Turn on the system.
9. Turn on the external analog switch.

NOTE: If the external analog switch is powered up before the system, it may result in only one blade being displayed in the analog switch OSCAR, instead of 16. If this behavior occurs, shut down and restart the switch so that the entire complement of blades is recognized.

NOTE: In addition to the steps outlined above, some external analog switches may require you to perform additional steps to ensure that the iKVM switch blades are displayed in the external analog switch OSCAR. For more information, see the external analog switch documentation.

Resynchronizing The Server List At The Remote Client Workstation

Once the iKVM module is connected, the blades are displayed in OSCAR. You must re-synchronize the servers on any remote workstation to ensure that the blades are available to any remote users connected to the console switch through the Remote Console Switch software.

NOTE: This procedure only re-synchronizes one remote client workstation. With multiple client workstations, save the re-synchronized local database and load it into the other client workstations to ensure consistency.

To re-synchronize the server listing:

1. Click **Resync** in the Server category of the Management panel. The resync wizard launches.
2. Click **Next**. A warning message is displayed indicating that the database will be updated to match the current configuration of the console switch. Your current local database names will be overwritten with the switch names. To include unpowered SIPs in the re-synchronization, select the **Include Offline SIPs** check box.
3. Click **Next**. A **Polling Remote Console Switch** message box is displayed with a progress bar indicating that the switch information is being retrieved.
4. If no changes were detected in the appliance, a completion dialog box is displayed with this information. If server changes were detected, then the **Detected Changes** dialog box is displayed.
5. Click **Next** to update the database.
If a cascade switch was detected, the **Enter Cascade Switch Information** dialog box is displayed.
6. Select the type of switch connected to the appliance from the drop-down list. If the type you are looking for is not available, you can add it by clicking **Add**.
7. Click **Next**. The completion dialog box is displayed.
8. Click **Finish** to exit.
9. Start up the analog switch and the system.

Viewing And Selecting Servers

Use the OSCAR **Main** dialog box to view, configure, and manage servers in the M1000e enclosure through the iKVM. You can view the servers by name or by slot. The slot number is the chassis slot number the server occupies. The Slot column indicates the slot number in which a server is installed.

NOTE: Server names and slot numbers are assigned by the CMC.

NOTE: If you have enabled access to the CMC through the iKVM, an additional option, **Dell CMC Console**, is displayed.

To access the **Main** dialog box, press <PrintScreen> to launch the OSCAR interface. The **Main** dialog box is displayed.

or

If a password has been assigned, the **Password** dialog box is displayed. Type your password and click **OK**. The **Main** dialog box is displayed.

To toggle video among the quarter-height blades installed in a sleeve:

1. Press <Print Screen> to launch the OSCAR interface (iKVM GUI).
2. Select the slot where the sleeve and blade are installed, and press <Enter> to exit the OSCAR interface.
3. Press <Scroll Lock> twice in quick repetition to toggle between the quarter-height blades installed in the sleeve.

FlexAddress

The FlexAddress feature allows server modules to replace the factory assigned World Wide Name and Media Access Control (WWN/MAC) network IDs with WWN/MAC IDs provided by the chassis. FlexAddress is delivered on a Secure Digital (SD) card that must be inserted into the CMC to provide the chassis-assigned WWN/MAC IDs.

Every server module is assigned unique WWN and MAC IDs as part of the manufacturing process. Before the FlexAddress feature was introduced, if you had to replace one server module with another, the WWN/MAC IDs would change and Ethernet network management tools and SAN resources would need to be reconfigured to be aware of the new server module.

FlexAddress allows the CMC to assign WWN/MAC IDs to a particular slot and override the factory IDs. If the server module is replaced, the slot-based WWN/MAC ID remains the same. This feature eliminates the need to reconfigure Ethernet network management tools and SAN resources for a new server module.

Additionally, the override action only occurs when a server module is inserted in a FlexAddress enabled chassis; no permanent changes are made to the server module. If a server module is moved to a chassis that does not support FlexAddress, the factory assigned WWN/MAC IDs are used.

Prior to installing FlexAddress, you can determine the range of MAC addresses contained on a FlexAddress feature card by inserting the SD card into an USB Memory Card Reader and viewing the file pwwn_mac.xml. This clear text XML file on the SD card contains an XML tag mac_start, which is the first starting hex MAC address that will be used for this unique MAC address range. The mac_count tag is the total number of MAC addresses that the SD card allocates. The total MAC range allocated can be determined by:

```
<mac_start> + 0xCF (208 - 1) = mac_end
```

For example:

```
(starting_mac)00188BFFDCFA + 0xCF = (ending_mac)00188BFFDDC9
```

NOTE: To prevent modifying any of the contents accidentally, you must lock the SD card prior to inserting in the USB "Memory Card Reader". You must then unlock the SD card before inserting it into the CMC.

For more information on the FlexAddress feature, see the following resources:

- The CMC Secure Digital (SD) Card Technical Specification document at support.dell.com/manuals
- The Help link in the CMC web interface
- The FlexAddress information in the CMC User's Guide at support.dell.com/manuals

FlexAddress Plus

FlexAddress Plus expands the number of MAC addresses to 3136 from the original FlexAddress pool of 208.

FlexAddress Plus is provided on the FlexAddress Plus Secure Digital (SD) card along with the FlexAddress feature.

NOTE: The SD card labeled FlexAddress only contains FlexAddress and the card labeled FlexAddress Plus contains FlexAddress and FlexAddress Plus. The card must be inserted into the CMC to activate the feature.

Configuring The I/O Modules

Topics:

- Network Information
- I/O Connectivity
- Port Auto-Disablement in Quad-Port Network Daughter Card (Dell PowerEdge M710HD Only)
- Mezzanine Cards
- I/O Module Port Mapping—Full-Height Blades
- I/O Module Port Mapping—Half-Height Blades
- I/O Modules—Switches
- I/O Modules—Pass-Through

Network Information

You can configure your I/O switch modules using:

- CMC web-based interface.
 - **NOTE: The default IP address for the CMC is 192.168.0.120.**
- CMC CLI using serial console redirection.
- Direct access to the I/O module serial port (if supported).
- I/O module default IP address (if supported).

I/O Connectivity

The enclosure supports three layers of I/O fabric, selectable between combinations of Ethernet, fibre-channel, and Infiniband modules. You can install up to six hot-swappable I/O modules in the enclosure, including fibre channel switches, fibre-channel pass-throughs, Infiniband switches, Ethernet switches, and Ethernet pass-through modules.

General I/O Module Configuration Guidelines

- If an I/O module is installed in Fabric B or Fabric C, at least one blade must have a matching mezzanine card installed to support data flow to that I/O module.
- If a blade has an optional mezzanine card installed in a Fabric B or Fabric C card slot, at least one corresponding I/O module must be installed to support data flow to that fabric.
- Modules may be installed in Fabrics B and C independently (you do not need to install modules in Fabric B before installing modules in the Fabric C slots).
- Slots A1 and A2 only support Ethernet I/O modules. This fabric type is hardset to Ethernet for these slots and cannot support fibre channel, Infiniband, or other fabric type modules.
- Fabrics A, B, and C can support Ethernet fabric-type modules.
- To enable switch configuration prior to blade imaging, I/O modules are allowed to power-up before a blade is inserted in the enclosure.

Fabric A

Fabric A is a redundant Gb Ethernet fabric, supporting I/O module slots A1 and A2. The integrated Ethernet controllers in each blade dictate Fabric A as an Ethernet-only fabric.

NOTE: Fabric A supports KR (10 Gbps standard).

NOTE: Modules designed specifically for Fabric B or Fabric C cannot be installed in slots A1 or A2, as indicated by the color-coded labeling on the faceplate of each module.

Fabric B

Fabric B is a 1 to 40 Gb/sec redundant fabric, supporting I/O module slots B1 and B2. Fabric B currently supports 1 Gb or 10 Gb Ethernet, DDR/QDR Infiniband, and 4 Gbps or 8 Gbps fibre channel modules. Additional fabric types may be supported in the future.

NOTE: Fabric B supports up to 16 Gbps fibre channel, Infiniband FDR (14 Gbps standard), and KR (10 Gbps standard).

To communicate with an I/O module in the Fabric B slots, a blade must have a matching mezzanine card installed in a Fabric B mezzanine card location.

Modules designed for Fabric A may also be installed in the Fabric B slots.

Fabric C

Fabric C is a 1 to 40 Gb/sec redundant fabric, supporting I/O module slots C1 and C2. Fabric C currently supports 1 Gb or 10 Gb Ethernet, DDR/QDR Infiniband, and 4 Gbps or 8 Gbps fibre channel modules. Additional fabric types may be supported in the future.

NOTE: Fabric C supports up to 16 Gbps fibre channel, Infiniband FDR (14 Gbps standard), and KR (10 Gbps standard).

To communicate with an I/O module in the Fabric C slots, a blade must have a matching mezzanine card installed in a Fabric C mezzanine card location.

Modules designed for Fabric A may also be installed in the Fabric C slots.

Port Auto-Disablement in Quad-Port Network Daughter Card (Dell PowerEdge M710HD Only)

Systems installed with quad-port Network Daughter Card support a Port Auto-Disablement feature. This feature disables the third (NIC3) and fourth (NIC4) ports of a quad-port network daughter card during system boot, if the corresponding I/O module installed in the chassis Fabric A slots does not support quad-port mapping. This behavior is limited to Fabric A slots only and is automatically enabled or disabled depending on the type of I/O module installed.

NOTE: A quad-port network daughter card must be used with a 48-port switch module (32 internal ports) for all the ports to be active.

NOTE: LOM firmware updates are applied only to the enabled ports on a quad-port network daughter card.

The following table provides an overview of the configurations that enable or disable the NIC3 and NIC4 ports of a quad-port network daughter card.

Table 2. Port Auto-Disablement Decision Table

IOM Slot A1	IOM Slot A2	NIC3 and NIC4 (Enabled/Disabled)	Port Auto-Disablement
Empty	Empty	Enabled	Inactive
Empty	Dual Port	Disabled	Active
Empty	Quad or Greater Port	Enabled	Inactive
Dual Port	Empty	Disabled	Active
Dual Port	Dual Port	Disabled	Active
Dual Port	Quad or Greater Port	Enabled	Inactive
Quad or Greater Port	Empty	Enabled	Inactive
Quad or Greater Port	Dual Port	Enabled	Inactive
Quad or Greater Port	Quad or Greater Port	Enabled	Inactive

Mezzanine Cards

PowerEdge M610x Only

PowerEdge M610x supports two mezzanine cards. Mezzanine cards can be installed in both the slots on the midplane interface card.

NOTE: PowerEdge M610x is a full-height blade but supports only two mezzanine cards in the expansion bay. The two mezzanine slots on the M610x system board (MEZZ2_FAB_B and MEZZ1_FAB_C) are reserved for the mezzanine interface card.

Full-Height Blades

Full-height blades support four mezzanine cards:

- Slot Mezz1_Fabric_C and slot Mezz3_Fabric_C support Fabric C. They must match the fabric type of the I/O modules installed in I/O module slots C1 and C2.
- Slot Mezz2_Fabric_B and slot Mezz4_Fabric_B support Fabric B. They must match the fabric type of the I/O modules installed in I/O module slots B1 and B2.

Half-Height Blades

Half-height blades support two mezzanine cards:

- Mezzanine card slot C supports Fabric C. This card must match the fabric type of I/O modules installed in I/O module slots C1 and C2.
- Mezzanine card slot B supports Fabric B. This card must match the fabric type of I/O modules installed in I/O module slots B1 and B2.

The following table shows various supported combinations of mezzanine cards and I/O modules.

Table 3. Supported I/O Module Configurations

Fabric A	Fabric B Mezzanine Card	Fabric C Mezzanine Card	I/O Bay A1, A2	I/O Bay B1, B2	I/O Bay C1, C2
Standard Integrated LOM	None	None	Ethernet switch module or pass-through module	None	None
Standard Integrated LOM	Ethernet mezzanine card	None	Ethernet switch module or pass-through module	Ethernet switch module or pass-through module	None
Standard Integrated LOM	None	Infiniband mezzanine card	Ethernet switch module or pass-through module	None	Infiniband switch module
Standard Integrated LOM	Ethernet mezzanine card	Ethernet mezzanine card	Ethernet switch module or pass-through module	Ethernet switch module or pass-through module	Ethernet switch module or pass-through module
Standard Integrated LOM	Fibre channel mezzanine card	Infiniband mezzanine card	Ethernet switch module or pass-through module	Fibre channel switch or pass-through module	Infiniband switch module
Standard Integrated LOM	None	Fibre channel mezzanine card	Ethernet switch module or pass-through module	None	Fibre channel switch or pass-through module
Standard Integrated LOM	Fibre channel mezzanine card	Fibre channel mezzanine card	Ethernet switch module or pass-through module	Ethernet switch module or pass-through module	Fibre channel switch or pass-through module
Standard Integrated LOM	Ethernet mezzanine card	Fibre channel mezzanine card	Ethernet switch module or pass-through module	Ethernet switch module or pass-through module	Fibre channel switch or pass-through module

Fabric A	Fabric B Mezzanine Card	Fabric C Mezzanine Card	I/O Bay A1, A2	I/O Bay B1, B2	I/O Bay C1, C2
Standard Integrated LOM	Infiniband mezzanine card	Infiniband mezzanine card	Ethernet switch module or pass-through module	Infiniband switch module	Infiniband switch module
Standard Integrated LOM	Infiniband mezzanine card	Ethernet mezzanine card	Ethernet switch module or pass-through module	Infiniband switch module	Ethernet switch module or pass-through module
Standard Integrated LOM	Fibre channel mezzanine card	Ethernet mezzanine card	Ethernet switch module or pass-through module	Fibre channel switch or pass-through module	Ethernet switch module or pass-through module

I/O Module Port Mapping—Full-Height Blades

NOTE: The I/O port mappings in the following sections are applicable only to the I/O Pass-Through Modules.

Standard LOM (Dual-Port) Mapping

Each LOM has two port connections. For a full-height blade in bay n :

- Integrated LOM1, connection 1 connects to I/O module A1, port n .
- Integrated LOM1, connection 2 connects to I/O module A2, port n .
- Integrated LOM2, connection 1 connects to I/O module A1, port $n+8$.
- Integrated LOM2, connection 2 connects to I/O module A2, port $n+8$.

For example, in a full-height blade in slot 5:

- Integrated LOM1 connection 1 connects to I/O module A1, port 5.
- Integrated LOM1 connection 2 connects to I/O module A2, port 5.
- Integrated LOM2 connection 1 connects to I/O module A1, port 13.
- Integrated LOM2 connection 2 connects to I/O module A2, port 13.

NOTE: Even though PowerEdge M610x is a full-height blade system, only one network controller (LOM1) is available.

For PowerEdge M610x blade in bay n , the integrated NIC connects to I/O module A1, port n and I/O module A2, port n .

Dual-Port Mezzanine Cards

Each mezzanine card has two port connections. For a full-height blade in bay n :

- Mezzanine card 1, connection 1 connects to I/O module C1, port n . Mezzanine card 1, connection 2 connects to I/O module C2, port n .
- Mezzanine card 2, connection 1 connects to I/O module B1, port n . Mezzanine card 2, connection 2 connects to I/O module B2 port n .
- Mezzanine card 3, connection 1 connects to I/O module C1, port $n+8$. Mezzanine card 3, connection 2 connects to I/O module C2 port $n+8$.
- Mezzanine card 4, connection 1 connects to I/O module B1, port $n+8$. Mezzanine card 4, connection 2 connects to I/O module B2 port $n+8$.

For example, in a full-height blade:

- Mezzanine card 3 connection 1 connects to I/O module C1, port 13.
- Mezzanine card 3 connection 2 connects to I/O module C2 port 13.

The following table shows the port number assignments for the eight possible full height blade locations.

NOTE: Even though PowerEdge M610x is a full blade system, only two mezzanine card slots (MEZZ1_FAB_C1 and MEZZ2_FAB_B1) in the expansion bay are available for use. The other two slots on the system board (MEZZ1_FAB_C and MEZZ2_FAB_B) are occupied by the mezzanine interface card which provides connectivity between the PCIe expansion-card riser and the system board.

For PowerEdge M610x, in bay n :

- Mezzanine card B (in the expansion bay) connects to I/O module B1, port $n+8$ and I/O module B2, port $n+8$.

- Mezzanine card C (in the expansion bay) connects to I/O module C1, port $n+8$ and I/O module C2, port $n+8$.

Table 4. Example of I/O Module Port Assignments - PowerEdge M610x in Slot 2

Blade 2	I/O Module					
	A1	B1	C1	C2	B2	A2
Mezzanine Card C			Port 10	Port 10		
Mezzanine Card B		Port 10			Port 10	

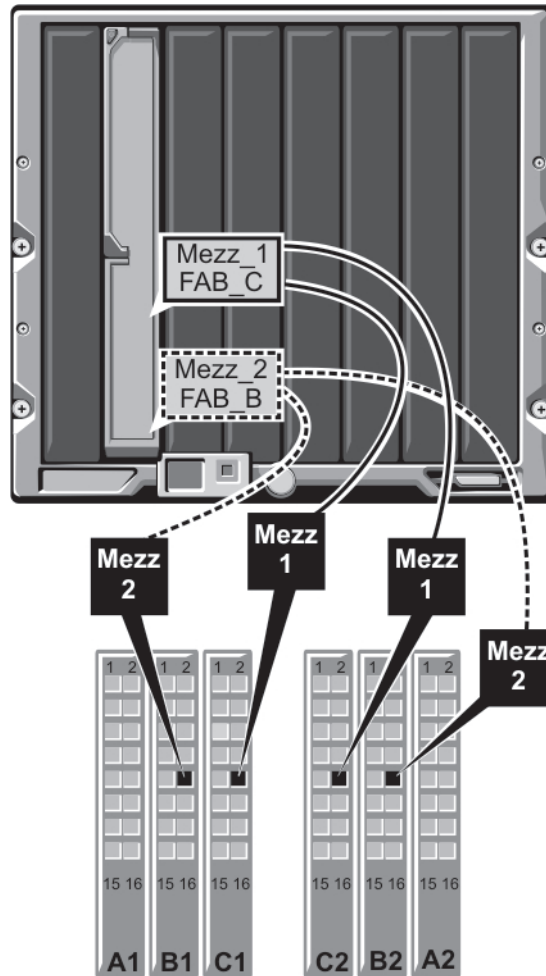


Figure 15. Example of PowerEdge M610x Port Mapping – Blade 2

Table 5. I/O Module Port Assignments - Full-Height Blades (not applicable for PowerEdge M610x)

Blade 1	I/O Module			
	B1	C1	C2	B2
Mezz1_Fab_C		Port 1	Port 1	
Mezz2_Fab_B	Port 1			Port 1
Mezz3_Fab_C		Port 9	Port 9	
Mezz4_Fab_B	Port 9			Port 9

Table 6. I/O Module Port Assignments - Full-Height Blades (not applicable for PowerEdge M610x)

Blade 2	I/O Module			
	B1	C1	C2	B2
Mezz1_Fab_C		Port 2	Port 2	

Blade 2	I/O Module			
	B1	C1	C2	B2
Mezz2_Fab_B	Port 2			Port 2
Mezz3_Fab_C		Port 10	Port 10	
Mezz4_Fab_B	Port 10			Port 10

Table 7. I/O Module Port Assignments - Full-Height Blades (not applicable for PowerEdge M610x)

Blade 3	I/O Module			
	B1	C1	C2	B2
Mezz1_Fab_C		Port 3	Port 3	
Mezz2_Fab_B	Port 3			Port 3
Mezz3_Fab_C		Port 11	Port 11	
Mezz4_Fab_B	Port 11			Port 11

Table 8. I/O Module Port Assignments - Full-Height Blades (not applicable for PowerEdge M610x)

Blade 4	I/O Module			
	B1	C1	C2	B2
Mezz1_Fab_C		Port 4	Port 4	
Mezz2_Fab_B	Port 4			Port 4
Mezz3_Fab_C		Port 12	Port 12	
Mezz4_Fab_B	Port 12			Port 12

Table 9. I/O Module Port Assignments - Full-Height Blades (not applicable for PowerEdge M610x)

Blade 5	I/O Module			
	B1	C1	C2	B2
Mezz1_Fab_C		Port 5	Port 5	
Mezz2_Fab_B	Port 5			Port 5
Mezz3_Fab_C		Port 13	Port 13	
Mezz4_Fab_B	Port 13			Port 13

Table 10. I/O Module Port Assignments - Full-Height Blades (not applicable for PowerEdge M610x)

Blade 6	I/O Module			
	B1	C1	C2	B2
Mezz1_Fab_C		Port 6	Port 6	
Mezz2_Fab_B	Port 6			Port 6
Mezz3_Fab_C		Port 14	Port 14	
Mezz4_Fab_B	Port 14			Port 14

Table 11. I/O Module Port Assignments - Full-Height Blades (not applicable for PowerEdge M610x)

Blade 7	I/O Module			
	B1	C1	C2	B2
Mezz1_Fab_C		Port 7	Port 7	
Mezz2_Fab_B	Port 7			Port 7
Mezz3_Fab_C		Port 15	Port 15	

Blade 7	I/O Module			
	B1	C1	C2	B2
Mezz4_Fab_B	Port 15			Port 15

Table 12. I/O Module Port Assignments - Full-Height Blades (not applicable for PowerEdge M610x)

Blade 8	I/O Module			
	B1	C1	C2	B2
Mezz1_Fab_C		Port 8	Port 8	
Mezz2_Fab_B	Port 8			Port 8
Mezz3_Fab_C		Port 16	Port 16	
Mezz4_Fab_B	Port 16			Port 16

The following figure shows the port connections for a full-height blade in bay 3 with four mezzanine cards.

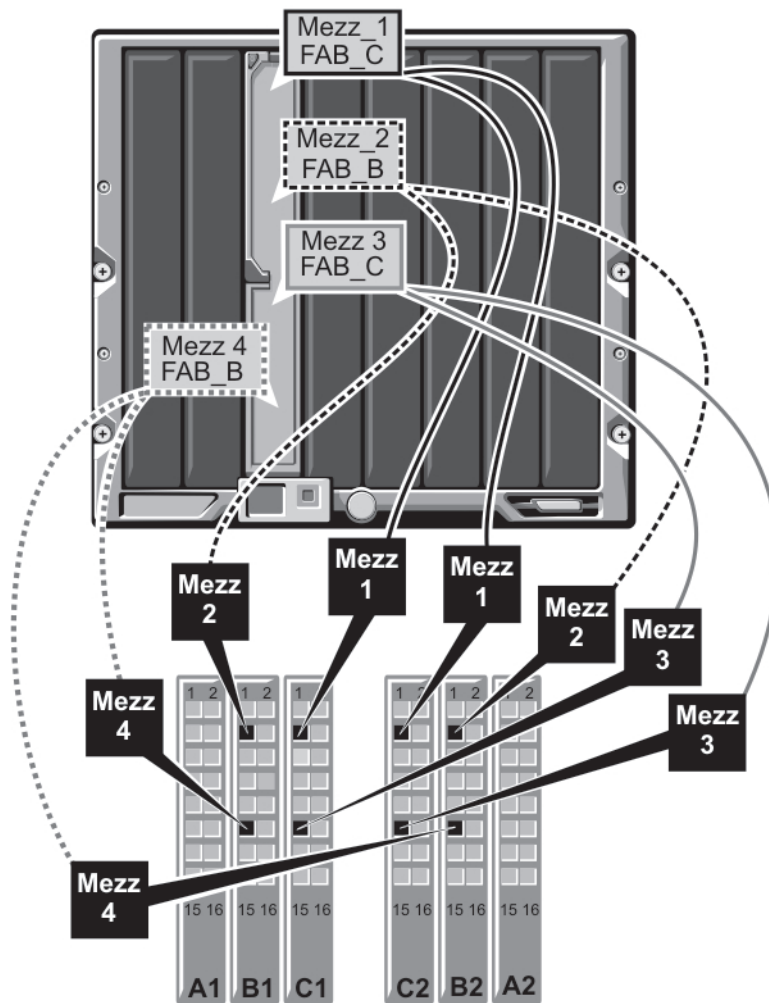


Figure 16. Example of Full-Height Blade Port Mapping – Blade 3 (not applicable for PowerEdge M610x)

Quad-Port Mezzanine Cards

The following table illustrates the I/O module port mapping for full-height blades with quad-port mezzanine cards.

NOTE: For a detailed mapping of each PowerEdge system, see *Quadport Capable Hardware for the M1000e Modular Chassis* at support.dell.com/manuals.

Table 13. Example of I/O Module Port Assignments - PowerEdge M610x in Slot 2

Blade n and Blade (n + 8)	I/O Module			
	B1	C1	C2	B2
i NOTE: n denotes a variable value from 1 to 8.				
Mezz_FAB_B_Blade n_Port1	Portn			
Mezz_FAB_B_Blade n_Port2				Portn
Mezz_FAB_B_Blade n_Port3	Port(n+16)			
Mezz_FAB_B_Blade n_Port4				Port(n+16)
Mezz_FAB_C_Blade n_Port1		Portn		
Mezz_FAB_C_Blade n_Port2			Portn	
Mezz_FAB_C_Blade n_Port3		Port(n+16)		
Mezz_FAB_C_Blade n_Port4			Port(n+16)	
Mezz_FAB_B_Blade n +8_Port1	Port(n+8)			
Mezz_FAB_B_Blade n +8_Port2				Port(n+8)
Mezz_FAB_B_Blade n +8_Port3	Port(n+24)			
Mezz_FAB_B_Blade n +8_Port4				Port(n+24)
Mezz_FAB_C_Blade n +8_Port1		Port(n+8)		
Mezz_FAB_C_Blade n +8_Port2			Port(n+8)	
Mezz_FAB_C_Blade n +8_Port3		Port (n+24)		
Mezz_FAB_C_Blade n +8_Port4			Port(n+24)	

i **NOTE: Even though PowerEdge M610x is a full blade system, only two mezzanine card slots (MEZZ1_Fab_C1 and MEZZ2_FAB_B1) in the expansion bay are available for use. The other two slots on the system board (MEZZ1_FAB_C and MEZZ2_FAB_B) are occupied by the mezzanine interface card which provides connectivity between the PCIe expansion-card riser and the system board.**

The following table illustrates the I/O module port mapping for PowerEdge M610x in bay n.

Table 14. Example of I/O Module Port Assignments - PowerEdge M610x Blade 1

Blade 1	I/O Module					
	A1	B1	C1	C2	B2	A2
Mezzanine Card C (port 1 and port 2)			Port 9	Port 9		
Mezzanine Card C (port 3 and port 4)			Port 25	Port 25		
Mezzanine Card B (port 1 and port 2)		Port 9			Port 9	
Mezzanine Card B (port 1 and port 2)		Port 25			Port 25	

I/O Module Port Mapping—Half-Height Blades

Standard LOM (Dual-Port) and Network Daughter Card (Quad-Port) Mapping

Each standard LOM has two port connections. For a half-height blade in bay n :

Integrated LOM, connection 1 connects to I/O module A1, port n . Integrated LOM, connection 2 connects to I/O module A2, port n .

Half-height blades with network daughter card (M710HD) hosts two network controllers (LOM1 and LOM2), each with two port connections. For a half-height blade in bay n :

- LOM1, connection 1 connects to I/O module A1, port n . LOM1, connection 2 connects to I/O module A2, port n .
- LOM2, connection 1 connects to I/O module A1, port $n+16$. LOM2, connection 2 connects to I/O module A2, port $n+16$.

NOTE: If the I/O modules A1 and A2 are not quad-port capable, then the LOM2 ports (NIC3 and NIC4) gets disabled during system boot.

For example, in a half-height blade, in slot 5:

- Integrated LOM1 connection 1 connects to I/O module A1, port 5.
- Integrated LOM1 connection 2 connects to I/O module A2, port 5.
- Integrated LOM2 connection 1 connects to I/O module A1, port 21.
- Integrated LOM2 connection 2 connects to I/O module A2, port 21.

Dual-Port Mezzanine Cards

For a half-height blade in bay n :

- The integrated NIC connects to I/O module A1, port n and I/O module A2, port n .
- Mezzanine card B connects to I/O module B1, port n and I/O module B2, port n .
- Mezzanine card C connects to I/O module C1, port n and I/O module C2, port n .

For example, in a blade in slot 12, the integrated NIC connects to I/O module A1, port 12 and I/O module A2, port 12.

Table 15. Example of I/O Module Port Assignments - Half-Height Blade 1

Blade 1	I/O Module					
	A1	B1	C1	C2	B2	A2
Integrated NIC	Port 1					Port 1
Mezzanine Card C			Port 1	Port 1		
Mezzanine Card B		Port 1			Port 1	

The following figure shows the port connections for a half-height blade in bay 1 with two mezzanine cards.

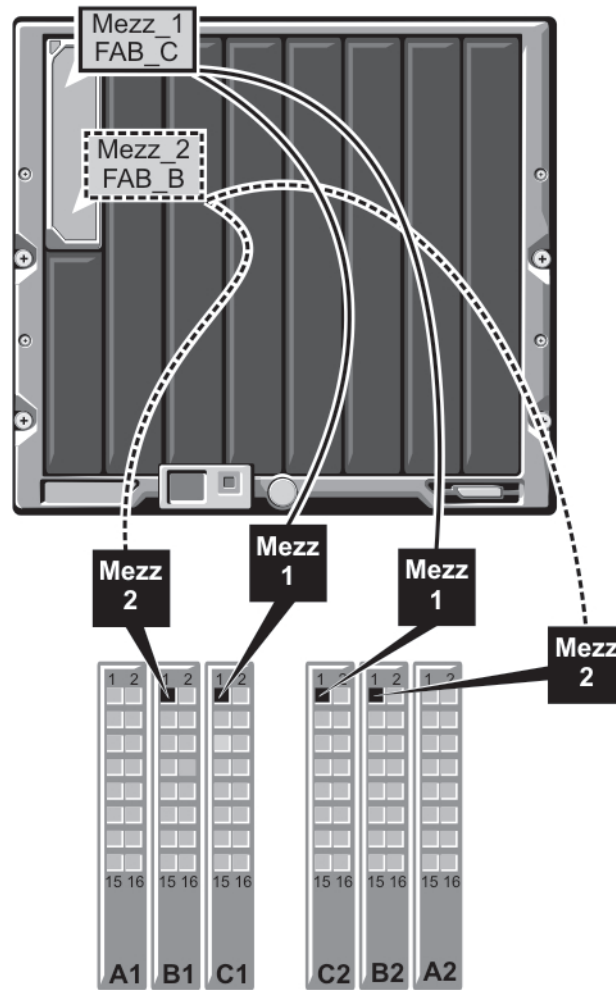


Figure 17. Example of Half-Height Blade Port Mapping

Quad-Port Mezzanine Cards

The following table illustrates the I/O module port mapping for a half-height blade with the quad-port mezzanine card. In the following table, n denotes a variable value from 1 to 16.

NOTE: For a detailed mapping of each PowerEdge system, see *Quadport Capable Hardware For the M1000e Modular Chassis* at support.dell.com/manuals.

Table 16. Example of I/O Module Port Assignments - PowerEdge M610x in Slot 2

Blade n	I/O Module					
	A1	B1	C1	C2	B2	A2
Integrated LOM1	Port n					
Integrated LOM2						Port n
Mezz_FAB_B_Blade n_Port1		Port n				
Mezz_FAB_B_Blade n_Port2					Port n	
Mezz_FAB_B_Blade n_Port3		Port $(n+16)$				
Mezz_FAB_B_Blade n_Port4					Port $(n+16)$	

Blade <i>n</i>	I/O Module
Mezz_FAB_C_Blade n_Port1	Port <i>n</i>
Mezz_FAB_C_Blade n_Port2	Port <i>n</i>
Mezz_FAB_C_Blade n_Port3	Port (<i>n+16</i>)
Mezz_FAB_C_Blade n_Port4	Port (<i>n+16</i>)

I/O Modules—Switches

Configuring A Switch Module Network Ethernet Port Using The Web-Based Interface

You can use the CMC web-based interface to configure an I/O module's Ethernet port.

- NOTE:** Use this procedure to configure the switch's out-of-band Ethernet port. The switch's in-band management IP address is configured through the switch's external ports. These two IP addresses must be different, and on different networks.
- NOTE:** To change settings on the I/O module configuration page, you must have Fabric Administrator privileges for the particular Fabric in which the module is installed
- NOTE:** The network IP address set on the I/O module by the CMC is not saved to a configuration file. To save the IP address configuration permanently, use the `connect switch-n RACADM` command, or use a direct interface to the I/O module GUI.
- NOTE:** Do not attempt to configure I/O module network settings for Ethernet pass-through or Infiniband switches.

1. Log in to the CMC web-based interface.
2. Select **I/O Modules** in the **Chassis** menu in the system tree.
3. Select the **Setup** tab. The **Configuring I/O Modules Network Settings** page is displayed.
4. Configure the switch for integration into your network.
 - Select **DHCP Mode Enabled** if your network uses a DHCP server to assign IP addresses.
 - If your network uses static IP addressing, enter an IP address, subnet mask and gateway.
5. Click **Apply**.
6. Click the **Deploy** sub-tab.

After all I/O modules have been configured and connected, the enclosure's blades can be inserted and booted with full network communication.

Brocade M6505 16 Gbps FC SAN I/O Module

The Brocade M6505 16 Gbps FC I/O module includes eight external fibre channel ports, 16 internal ports, and one serial port with an RJ-45 connector. The external fibre channel ports operate at 4 Gbps, 8 Gbps, or 16 Gbps. Internal ports support speeds of 8 Gbps and 16 Gbps.

- NOTE:** This module can be upgraded to 24 ports using a **Ports on Demand (POD)** license.

This fibre channel switch module supports hot-pluggable Small Form Factor Pluggable plus (SFP+) optical transceivers.

- NOTE:** To ensure proper functionality, use only **SFPs** provided with this module.

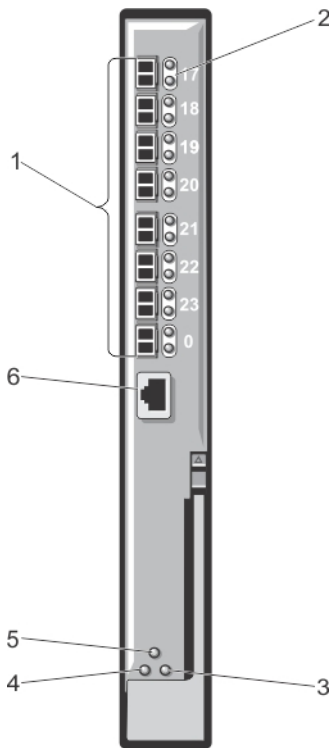


Figure 18. Brocade M6505 16 Gbps FC SAN I/O Module

1. fibre channel ports (8)
2. port LED indicators
3. server management status/indicator LED
4. power status LED
5. SAN I/O module status indicator
6. serial port (RJ-45 connector)

Cisco Nexus B22 Fabric Extender Module

The Cisco Nexus B22 Fabric Extender module acts as a remote line card for a parent Cisco Nexus switch. This module is an extension of the parent Cisco Nexus switch fabric. The Fabric Extenders and the parent Cisco Nexus switch together form a distributed modular system. The Cisco Nexus B22 Fabric Extender connects to the server modules using 10 Gb Ethernet and consists of eight 10 Gb Ethernet fabric uplinks to the parent Cisco Nexus switch. The Cisco Nexus B22 Fabric Extender module consists of the following:

- Sixteen 10 Gb (internal) Ethernet ports
- Eight 10 Gb Ethernet SFP + ports
- Two single color LEDs per port for external uplink ports

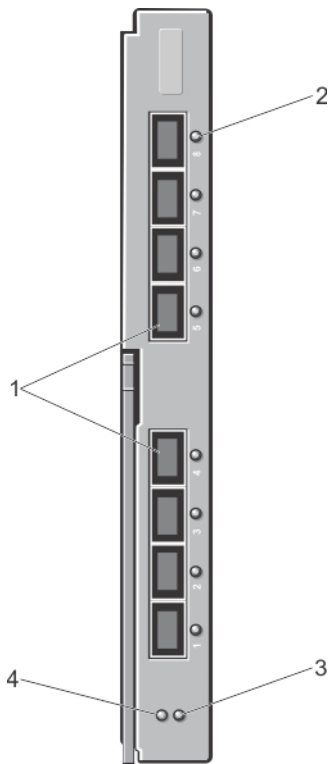


Figure 19. Cisco Nexus B22 Fabric Extender Module

1. external network ports (8)
2. port LED indicator
3. status indicator
4. identification indicator

Dell PowerEdge M I/O Aggregator Switch

The PowerEdge I/O Aggregator is a layer 2 switch blade with two fixed 40 GbE ports on the base module and provides support for two optional plug-in modules. The Aggregator runs the Dell Force10 Operating System (FTOS) and autoconfigures as an unmanaged switch with bridging and multiplexing features.

This module provides:

- Thirty-two 1/10-Gigabit Ethernet internal ports—each port can operate in either 1 GbE or 10 GbE mode.
- An internal Ethernet interface for switch management.
- Two fixed 40 GbE ports on the base module. These ports operate in 4 x 10 GbE mode with breakout cables and support up to eight 10 GbE uplink ports. The 40 GbE ports can be configured as stacking links.
- FlexIO plug-in modules in two expansion slots:
 - Four-port 10 GbE module using SFP+ optics or direct-attach cables (1 m, 3 m, or 5 m DAC)
 - Four-port 10GBASE-T module using RJ-45 connector (copper) cables
 - Two-port 40 GbE QSFP+ module for 10 GbE SFP+ connections using 4 x 10 GbE breakout cables.

For additional information about the PowerEdge M I/O Aggregator switch module, see the documentation that shipped with the module.

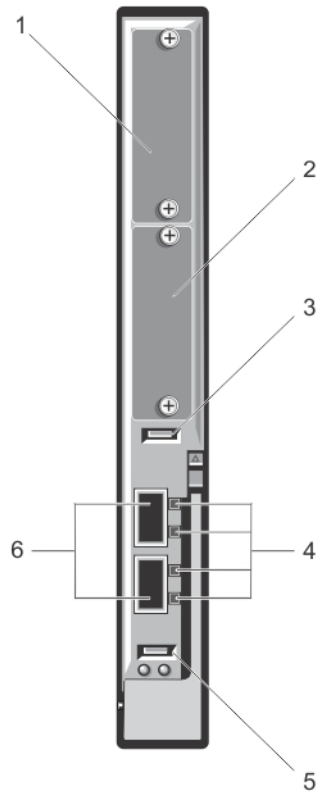


Figure 20. Dell PowerEdge M I/O Aggregator Switch

- | | |
|---------------------|---------------------------|
| 1. expansion slot 1 | 2. expansion slot 0 |
| 3. USB storage port | 4. activity and link LEDs |
| 5. USB console port | 6. 40 GbE QSFP+ ports |

Dell Force10 MXL 10/40 GbE Switch

The Force10 MXL 10/40 GbE switch module has two fixed 40 GbE ports on the base module and provides support for two optional plug-in modules. This module provides:

- Thirty two 1 GbE or 10 GbE internal ports — each port can operate in either 1 GbE or 10 GbE mode.
- Two native 40 GbE fixed ports on the base module for uplink connections. These ports can be used with 4 x 10G breakout cables to operate as 10 GbE uplink ports. The native 40 GbE ports can be configured as stacking ports.
- 10 GbE or 40 GbE external connectivity by using the following plug-in modules in the two expansion slots:
 - Four-port 10 GbE module using SFP+ optics (SR, LR, or LRM) or direct-attach cables (1 m, 3 m, 5 m DAC)
 - Four-port 10GBASE-T module using RJ-45 connector (copper) cables
 - Two-port 40 GbE QSFP+ module for 10 GbE SFP+ connections

For additional information about the Force10 MXL 10/40 GbE switch module, see the documentation that shipped with the module.

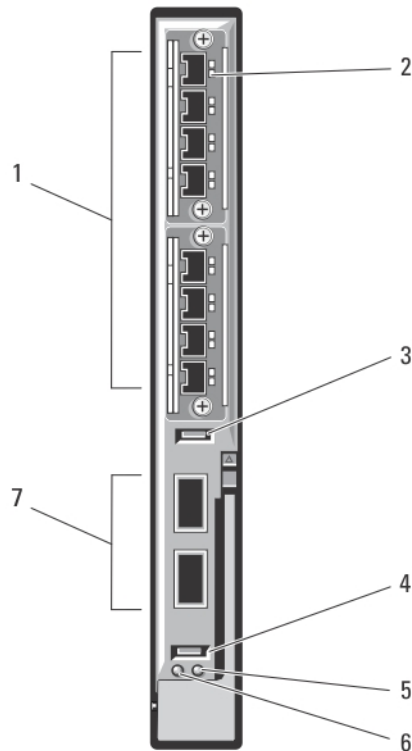


Figure 21. Dell Force10 MXL 10/40 GbE Switch I/O Module

- | | |
|------------------------------------|--------------------------|
| 1. expansion slots (8) | 2. LED status indicators |
| 3. USB storage port | 4. USB console port |
| 5. status/identification indicator | 6. power indicator |
| 7. 40 GbE QSFP+ ports (2) | |

Mellanox M4001F/M4001Q/M4001T Infiniband Switch I/O Module

The Mellanox M4001F/M4001Q/M4001T Infiniband switch delivers 56 Gb/s at FDR speed and 40 Gb/s at QDR and FDR10 speed (full bisectional bandwidth per port). This switch module includes 16 Quad Small Form-factor Pluggable (QSFP) ports on the front panel and 16 internal Infiniband ports. This Infiniband switch module is hot-swappable and may be installed in Fabric B or C.

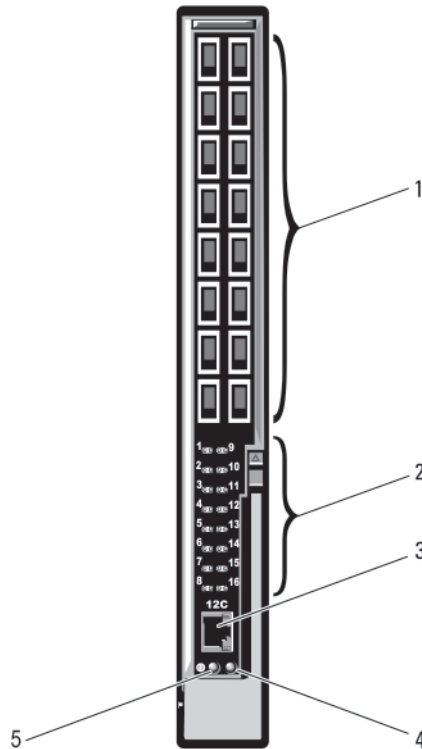


Figure 22. Mellanox M4001F/M4001G/M4001T Infiniband Switch Module

- | | |
|----------------------------------|--|
| 1. Infiniband QSFP ports (16) | 2. LED status/module status indicators |
| 3. serial port (RJ-45 connector) | 4. module status indicator |
| 5. power indicator | |

Dell PowerConnect KR 8024-k Switch

The PowerConnect KR M8024-k switch provides 16 internal 10 GbE ports, four external 10 GbE SFP+ ports, and one 10 GbE expansion slot for 10 GbE external uplinks. The expansion slot on the front panel can support the following modules:

- 10 Gb Ethernet module with four optical SFP+ connectors
- 10 Gb Ethernet module with three copper CX4 uplinks
- 10 Gb Ethernet module with two copper 10GBASE-T uplinks

This switch may be installed in either Fabric B or Fabric C.

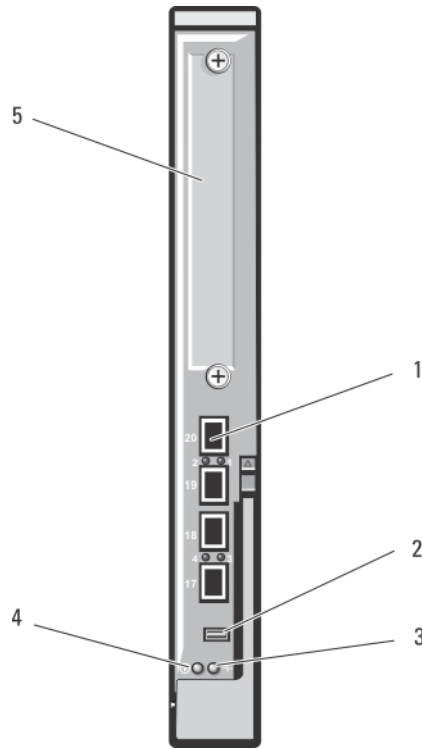


Figure 23. Dell PowerConnect KR 8024-k Switch

- | | |
|------------------------------------|---------------------------------|
| 1. SFP+ ports (4) | 2. console management connector |
| 3. status/identification indicator | 4. power indicator |
| 5. expansion slot | |

Dell PowerConnect M8428-k 10 Gb Converged Network Switch

The Dell PowerConnect M8428-k 10 Gb Converged Network switch module supports FCoE protocols and allows fibre channel traffic to travel over 10 Gbps Enhanced Ethernet (DCB) networks. This module consists of:

- Four 8 Gbps external autosensing fibre channel ports.
- Eight 10 Gb Enhanced Ethernet (DCB) optical SFP+ port connectors.
- Sixteen internal 10 Gb Enhanced Ethernet (DCB/FCoE) ports that link to the blades in the enclosure.
- One serial port with an RJ-45 connector.

This fibre channel switch may be installed in any of the three Fabrics.

For additional information about the Dell PowerConnect M8428-k 10 Gb Converged Network switch module, see the documentation at support.dell.com/manuals.

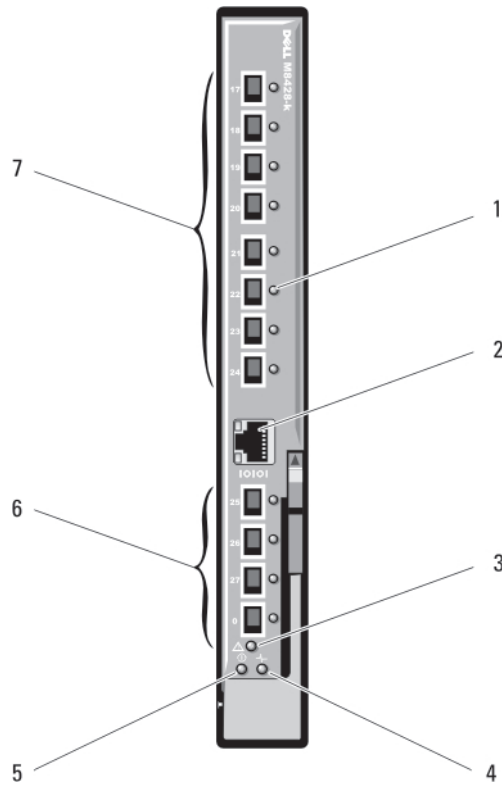


Figure 24. Dell PowerConnect M8428-k 10 Gb Converged Network Switch

- | | |
|-------------------------------|--|
| 1. LED status indicators (12) | 2. serial port (RJ-45 connector) |
| 3. module status indicator | 4. diagnostic status indicator |
| 5. power indicator | 6. 8 Gb fibre channel ports (ports 25–27 and port 0) |
| 7. 10 GbE ports (ports 17–24) | |

Mellanox M2401G DDR Infiniband Switch I/O Module

The Mellanox M2401G DDR Infiniband switch I/O module includes 24 4x DDR Infiniband ports. Eight ports are external uplink ports, while 16 internal ports provide connectivity to the blades in the enclosure.

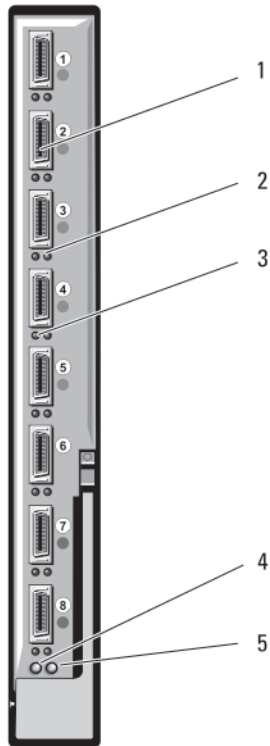


Figure 25. Mellanox M2401G DDR Infiniband Switch Module

- 1. Infiniband ports (8)
- 2. port link status indicators (8)
- 3. port activity indicators (8)
- 4. module diagnostic power indicator
- 5. module status indicator

Mellanox M3601Q QDR Infiniband Switch I/O Module

The Mellanox M3601Q QDR Infiniband switch I/O module includes 32 4x QDR Infiniband ports. Of these, 16 ports are external uplink ports, while 16 internal ports provide connectivity to the blades in the enclosure. This module occupies two I/O module slots. By default, the M3601Q module plugs into I/O module slot C1, but occupies both slots B1 and C1. It can also be plugged into I/O module slot B1 (occupying slots A1 and B1) or slot B2 (occupying slots B2 and C2).

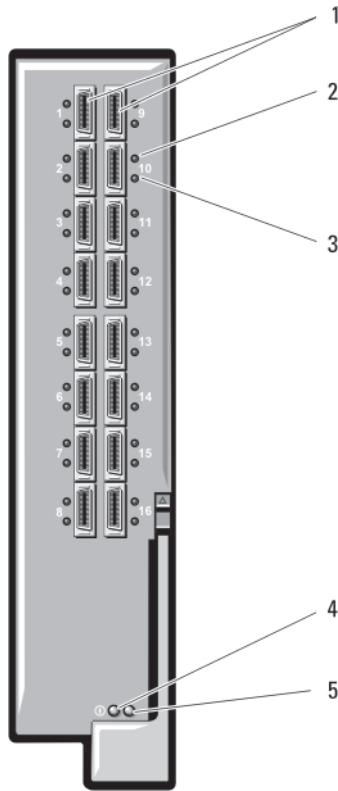


Figure 26. Mellanox M3601Q QDR Infiniband Switch I/O Module

- | | |
|----------------------------------|--------------------------------------|
| 1. Infiniband ports (16) | 2. port link status indicators (16) |
| 3. port activity indicators (16) | 4. module diagnostic power indicator |
| 5. module status indicator | |

Cisco Catalyst Ethernet Switch I/O Modules

Your system supports three Cisco Catalyst Blade Switch (CBS) versions:

- The Cisco 3130G-S switch includes four 10/100/1000 Mb Ethernet uplink ports and two Stackwise Plus ports.
- The Cisco CBS 3130X-S switch includes four 10/100/1000 Mb Ethernet uplink ports, two 10 Gb uplink ports, and two Stackwise Plus ports.
- The Cisco CBS 3032 switch includes four 10/100/1000 Mb Ethernet uplink ports.

The two option bays support the following module options:

- Cisco X2 10 Gb transceiver modules (CBS 3130X-S only)
- Cisco TwinGig converter modules

All three switches include an RJ-45 console connector for switch management. Sixteen internal Gb Ethernet connectors link to the blades in the enclosure. For additional information about the Cisco CBS Ethernet switch modules, see the documentation that shipped with the module.

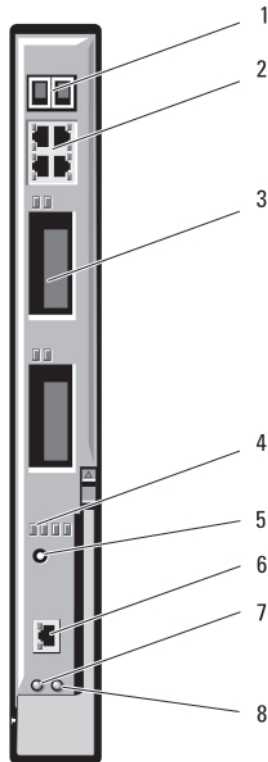


Figure 27. Cisco Catalyst Ethernet Switch Module Features

- | | |
|--|---|
| 1. Stackwise Plus connectors (not enabled in CBS 3032) | 2. 10/100/1000 Mb Ethernet connectors (4) |
| 3. option bays (2) | 4. Cisco status indicators |
| 5. mode button | 6. console port for switch management |
| 7. power indicator | 8. status/identification indicator |

Dell PowerConnect M6348 1 Gb Ethernet Switch I/O Module

PowerConnect M6348 is a hot-swappable 48-port 1 Gb Ethernet switch. While 16 ports are external uplink ports, the remaining 32 internal ports provide connectivity to the blades within the enclosure with a maximum bandwidth of 1 Gbps each. The PowerConnect M6348 switch also supports:

- Two integrated 10 Gb Ethernet SFP+ connectors
- Two integrated CX4 connectors for stacking or 10 Gb uplinks
- One console management connector

It is recommended that you use the PowerConnect M6348 switch with quad-port mezzanine cards for maximum functionality. The quad-port mezzanine cards and the PowerConnect M6348 Ethernet switch enable an increased bandwidth (two 1 Gbps lanes), higher port density, and server module consolidation.

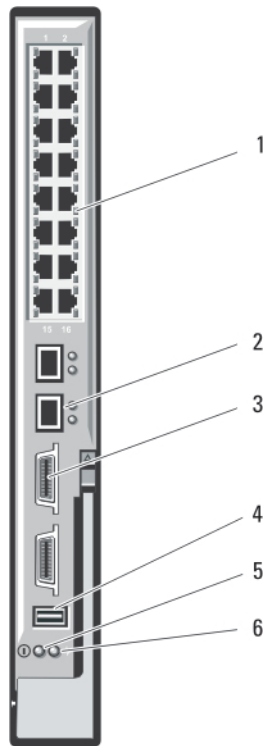


Figure 28. PowerConnect M6348 1 Gb Ethernet Switch I/O Module Features

- | | |
|---|------------------------------------|
| 1. standard 10/100/1000 Mb Ethernet connectors (16) | 2. SFP+ connectors (2) |
| 3. CX4 stacking connectors (2) | 4. console management connector |
| 5. power indicator | 6. status/identification indicator |

Dell PowerConnect M6220 Ethernet Switch I/O Module

The PowerConnect M6220 Ethernet switch module includes four external 10/100/1000 Mbps Ethernet connectors and one USB type A form factor serial connector. Two option bays support the following modules:

- A resilient stacking module with 2 x 24 Gb stacking ports
- A 10 Gb Ethernet module with two 10 Gb optical XFP uplinks
- A 10 Gb Ethernet module with two copper CX4 uplinks
- A 10 Gb Ethernet module with two copper 10GBASE-T uplinks
- A 10 Gb Ethernet module with two SFP+ (optical or direct-attach copper) uplinks

Installing two optional modules provides additional stacking and redundancy support. Sixteen internal Gb Ethernet connectors link to the blades in the enclosure.

For additional information about the PowerConnect M6220 Ethernet switch module, see the documentation that shipped with the module.

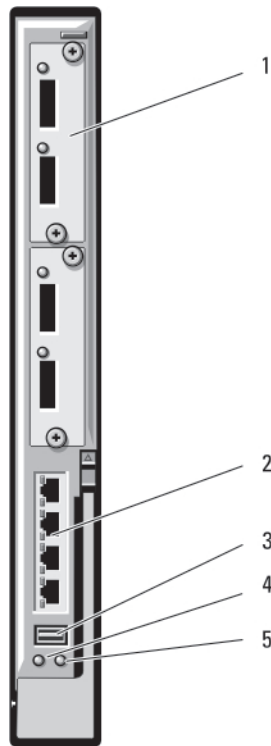


Figure 29. PowerConnect M6220 Ethernet Switch I/O Module

- | | |
|---|--|
| 1. optional modules (2) (dual 10 Gb Ethernet uplink module shown) | 2. standard 10/100/1000 Mb Ethernet connectors (4) |
| 3. serial connector (USB type-A form factor) | 4. power indicator |
| 5. status/identification indicator | |

Dell PowerConnect M8024 10 Gb Ethernet Switch I/O Module

The PowerConnect M8024 switch module incorporates two optional bays that support the following modules:

- A 10 Gb Ethernet module with four optical SFP+ connectors
- A 10 Gb Ethernet module with three copper CX4 uplinks
- A 10 Gb Ethernet module with two copper 10GBASE-T uplinks

The modules can be used in any combination and are sold separately.

You can initially configure the switch using either of two methods:

- Connect an external management system to the switch using an optional USB type-A form factor serial cable, and configure the switch using a terminal application.
- Use the iKVM CMC console (“17th blade”) and the connect **switch-n** CMC CLI command. For more information, see the CMC User’s Guide at support.dell.com/manuals.

Once an IP address is assigned to the management VLAN or interface and the switch is connected to a management network, both Telnet and http are available through the network.

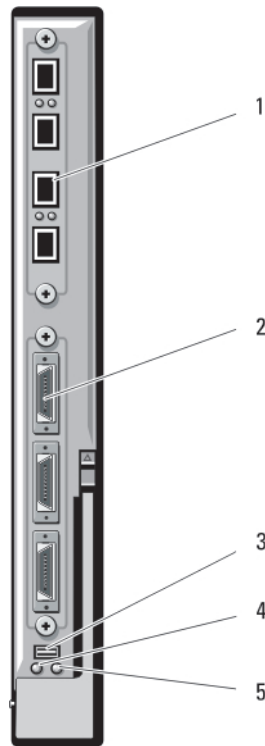


Figure 30. PowerConnect M8024 10 Gb Ethernet Switch I/O Module

- | | |
|---|---|
| 1. optional module with four SFP+ ports | 2. optional module with three CX4 ports |
| 3. serial connector for optional USB type-A form-factor cable | 4. power indicator |
| 5. status/identification indicator | |

Dell 8/4 Gbps FC SAN Module

The Dell 8/4 Gbps FC SAN module includes 24 total autosensing fibre channel ports (12 ports are enabled in the standard configuration and 12 additional ports may be enabled as an optional upgrade) and one serial port with an RJ-45 connector. The internal fibre channel ports operate at 8 Gb/s or 4 Gb/s. The external fibre channel ports operate at 8 Gb/s, 4 Gb/s, or 2 Gb/s.

- NOTE:** CMC firmware version 1.3 is required to support FC8 mezzanine cards and I/O modules.
- NOTE:** This fibre channel switch module includes Short Wave SFP optical transceivers. To ensure proper functionality, use only SFPs provided with this module.
- NOTE:** This module requires a Fibre Channel fabric for support, as it functions in the Access Gateway (NPIV) mode and cannot be directly connected to a storage array.

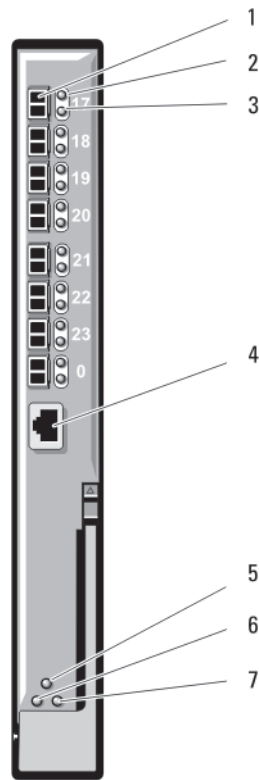


Figure 31. Dell 8/4 Gbps FC SAN Module

- | | |
|--|---|
| 1. fibre channel ports (8) | 2. fibre channel port status indicators (8) |
| 3. fibre channel port speed indicators (8) | 4. serial port (RJ-45 connector) |
| 5. module status indicator | 6. power indicator |
| 7. status/identification indicator | |

Brocade M5424 FC8 I/O Module

The Brocade M5424 FC8 I/O module includes eight external autosensing fibre channel ports (four ports are enabled in the standard configuration and four additional ports may be enabled as an optional upgrade), 16 internal ports, and one serial port with an RJ-45 connector. The external fibre channel ports operate at 8 Gb/sec, 4 Gb/sec, or 2 Gb/sec.

- NOTE:** CMC firmware version 1.3 is required to support FC8 mezzanine cards and I/O modules.
- NOTE:** This fibre channel switch module includes Short Wave SFP optical transceivers. To ensure proper functionality, use only SFPs provided with this module.

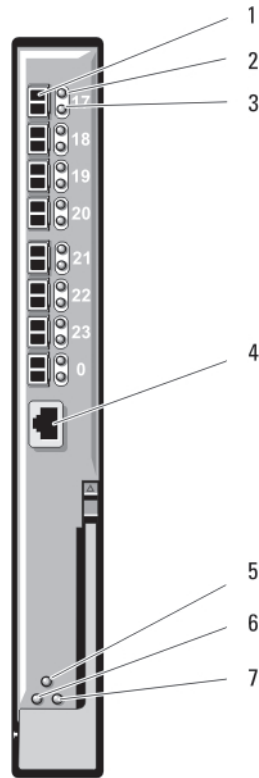


Figure 32. Brocade M5424 FC8 I/O Module

- 1. fibre channel ports (8)
- 2. fibre channel port status indicators (8)
- 3. fibre channel port speed indicators (8)
- 4. serial port (RJ-45 connector)
- 5. module status indicator
- 6. power indicator
- 7. status/identification indicator

The following are the I/O module indicators:

Fibre channel port status indicator	Indicator	Status
	Off	No signal carrier
	Amber on	Signal present but not online
	Green on	Online, but no activity
	Green blinking slowly	Online, but segmented
	Green blinking quickly	Internal loopback
	Green flickering	I/O activity on port
	Amber blinking slowly	Port disabled
	Amber blinking rapidly	Error or fault with port

Fibre channel port speed indicator	Indicator	Status
	Off	2 Gb link established
	Green on	4 Gb link established
	Amber on	8 Gb link established

Module status indicator	Indicator	Status
	Off	Module is off or enclosure power is off
	Green on	All ports are ready for use
	Amber on	Module is booting, being reset, or ports are offline
	Green/amber blinking	Diagnostic message is in error log, or environmental range is exceeded

Module power indicator	Indicator	Status
	Off	Power to the module is off
	Green	Module has power

Status/identification indicator	Indicator	Status
	Blue on	Normal health
	Blue off	Boot in progress
	Blue blinking	Identifying module
	Amber blinking	Fault condition in module

I/O Modules—Pass-Through

Dell 4 Gbps Fibre Channel Pass-Through Module

The 4 Gbps fibre channel pass-through module provides a bypass connection between a fibre channel mezzanine card in the blade and optical transceivers for direct connection into a fibre channel switch or a storage array. The 16 pass-through ports on this module can negotiate speeds of 1 Gbps, 2 Gbps, or 4 Gbps. The 4 Gbps fibre channel pass-through module is hot-swappable, and may be installed in Fabric B or Fabric C.

 **NOTE:** To ensure proper functionality, use only the Short Wave SFP transceivers provided with this module.

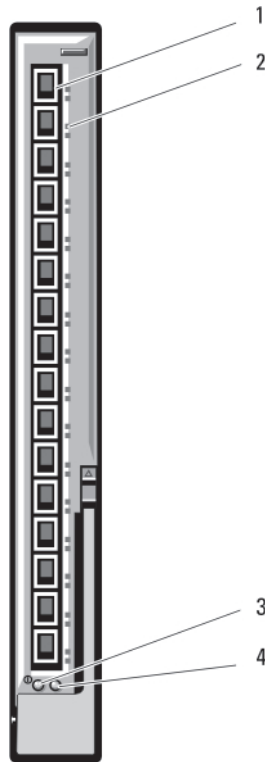


Figure 33. 4 Gbps Fibre Channel Pass-Through Module

- | | |
|--------------------------------------|--|
| 1. SFP fibre channel connectors (16) | 2. fibre channel green/amber indicators (two per port) |
| 3. power indicator | 4. status/identification indicator |

The following are the fibre channel pass-through indicators:

1. Power Indicator:
 - Off: Power to the module is off
 - Green: Module has power
1. Status/Identification Indicator
 - Blue off: Secondary module in a stack
 - Blue on: Primary module in a stack, if applicable
 - Amber flashing: Fault condition in module
1. Fibre Channel Port Indicators With Emulex Mezzanine Card Installed
 - Green off, amber off: Mezzanine board failure before POST
 - Green off, amber on or green off, amber blinking: Mezzanine board failure during POST
 - Green off, amber flashing irregularly: POST in progress
 - Green on, amber off or green on, amber on: Mezzanine board failure during operation
 - Green on, one fast amber blink: 1 Gb link established
 - Green on, two fast amber blinks: 2 Gb link established
 - Green on, three fast amber blinks: 4 Gb link established
 - Slow green blinking, amber off: No link established
 - Slow green blinking, slow amber blinking: Offline for firmware download
1. Fibre Channel Port LEDs with Qlogic Mezzanine Card Installed
2. Green off, amber off: Power off
3. Green off, amber on: Online, 1 Gb or 2 Gb link
4. Green on, amber off: Online, 4 Gb link
5. Green off, amber flashing: I/O activity, 1 Gb or 2 Gb
6. Green flashing, amber off: I/O activity, 4 Gb
7. Green flashing and amber flashing at same time: Loss of synchronization
8. Green flashing and amber flashing at different intervals: Firmware error

- 9. Off/amber flashing (twice per second): Connection has lost synchronization

Dell 10 GbE KR Pass-Through I/O Module

The 10 GbE KR pass-through module supports 10 Gb connections and provides a direct connection between the optional internal Ethernet KR mezzanine card or KR network daughter card in the blade and an external Ethernet device. This module has 16 external SFP+ ports on the front panel and sixteen 10 GbE KR internal ports through the backplane. This module enables you to use optical SFP+ (short reach or long reach) and direct-attached copper (DCA) SFP+ modules.

The Ethernet pass-through module is hot-swappable and may be installed in Fabric A, B, or C. The pass-through module does not support 1G mezzanine or network daughter cards in blades.

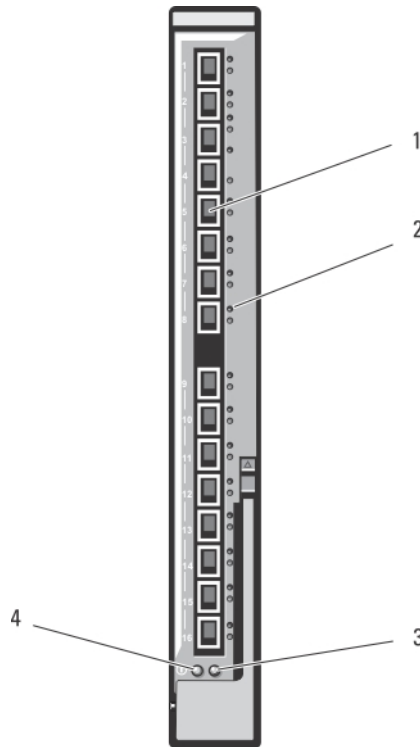


Figure 34. Dell 10 GbE KR Pass-Through I/O Module

- 1. SFP+ ports (16)
- 2. green/amber indicators (two per port)
- 3. status/identification indicator
- 4. power indicator

Dell 10 Gb Ethernet Pass-Through Module II

The Dell 10 Gb Ethernet pass-through module II supports 10 Gb connections and provides a direct connection between the optional internal Ethernet mezzanine card in the blade and an external Ethernet device. The Ethernet pass-through modules are hot-swappable and may be installed in Fabric B or Fabric C.

The 10 Gb Ethernet pass-through module II enables you to use optical SFP+ (short reach or long reach) and direct-attached copper (DCA) SFP+ modules. The Ethernet pass-through module does not support 1G mezzanine or network daughter cards in blades.

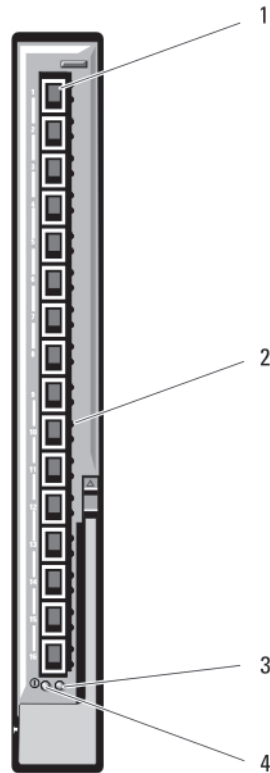


Figure 35. 10 Gb Ethernet Pass-Through Module II

- 1. SFP+ ports (16)
- 2. green/amber indicators (two per port)
- 3. status/identification indicator
- 4. power indicator

10/100/1000 Mb Ethernet Pass-Through I/O Module

The Ethernet pass-through module supports 10/100/1000 Mb connections and provides a direct connection between the optional internal Ethernet mezzanine card in the blade and an external Ethernet device. The Ethernet pass-through modules are hot-swappable and may be installed in any of the three Fabrics.

NOTE: To ensure proper functionality, use only the SFP transceivers provided with this module.

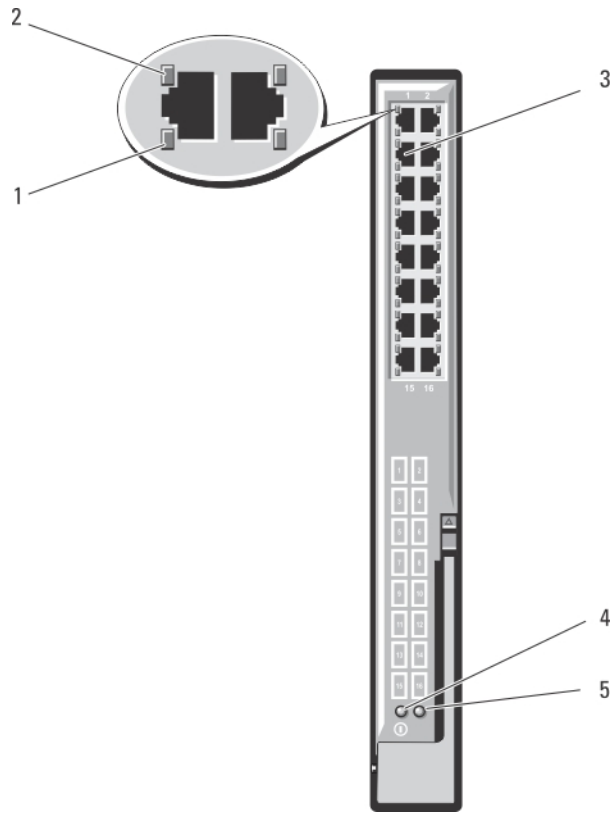


Figure 36. 10/100/1000 Mb Ethernet Pass-Through I/O Module

- | | |
|------------------------------------|-------------------------|
| 1. activity indicators (16) | 2. link indicators (16) |
| 3. RJ-45 Ethernet connectors (16) | 4. power indicator |
| 5. status/identification indicator | |

NOTE: Connectors on the Ethernet pass-through module correspond directly to the blade number. For example, blade 5 is connected to port 5 on the Ethernet pass-through module. Integrated network adapter 1 maps to I/O slot A1. Integrated network adapter 2 maps to I/O slot A2.

Installing Enclosure Components

NOTE: To ensure proper operation and cooling, all bays in the enclosure must be populated at all times with either a module or with a blank.

Topics:

- Recommended Tools
- Removing And Installing A Blade
- Power Supply Modules
- Fan Modules
- CMC Module
- iKVM Module
- I/O Modules
- Enclosure Bezel
- Enclosure Midplane
- Enclosure Control Panel Assembly
- LCD Module

Recommended Tools

You may need the following items to perform the procedures in this section:

- #1 and #2 Phillips screwdrivers
- T8, T10, T15, and T20 Torx drivers
- Wrist grounding strap

Removing And Installing A Blade

CAUTION: Many repairs may only be done by a certified service technician. You should only perform troubleshooting and simple repairs as authorized in your product documentation, or as directed by the online or telephone service and support team. Damage due to servicing that is not authorized by Dell is not covered by your warranty. Read and follow the safety instructions that are shipped with your product.

NOTE: These procedures are applicable only for full-height and half-height blades. For information on removing and installing quarter-height blades from a sleeve, see the blade's Owner's Manual at support.dell.com/manuals.

Removing A Blade

1. Power down the blade using the operating system commands or the CMC, and ensure that the blade's power is off. When a blade is powered off, its front-panel power indicator is off.

CAUTION: Before removing full-height blades 3 or 4 or half-height blades 11 or 12, rotate the LCD panel to the storage position to prevent accidental damage to the LCD screen.

2. Press the release button on the blade handle.
3. Pull out the blade handle to unlock the blade from the enclosure.

CAUTION: If you are permanently removing the blade, install a blade blank(s). Operating the system for extended periods of time without a blade blank installed can cause the enclosure to overheat.

NOTE: A full-height blade requires two blade blanks.

4. Slide the blade out of the enclosure.

CAUTION: To protect the I/O connector pins, install the I/O connector covers any time a blade is removed from the enclosure.

NOTE: A full-height blade requires four connector covers and a half-height blade requires two connector covers.

5. Install the I/O connector cover over the I/O connector.

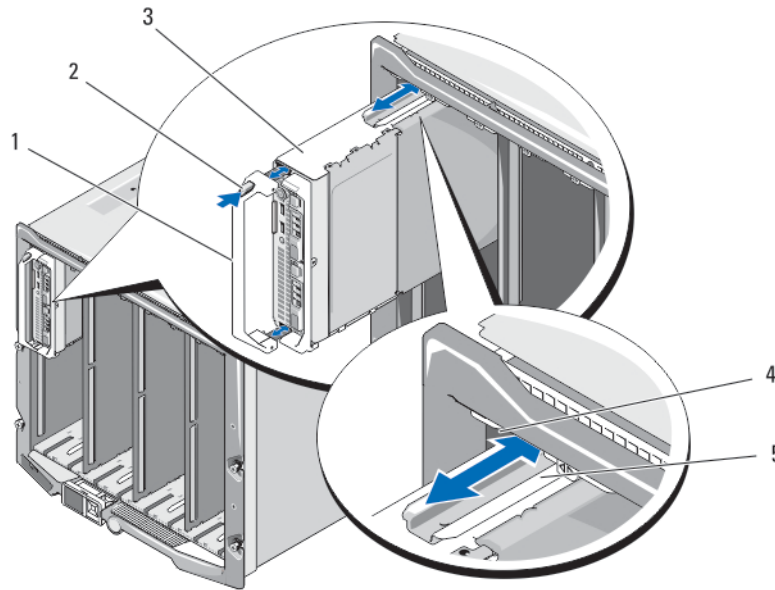


Figure 37. Removing and Installing a Half-Height Blade

- | | |
|---|----------------------------|
| 1. blade handle | 2. release button |
| 3. blade | 4. guide rail on enclosure |
| 5. guide rail on blade (or blade blank) | |

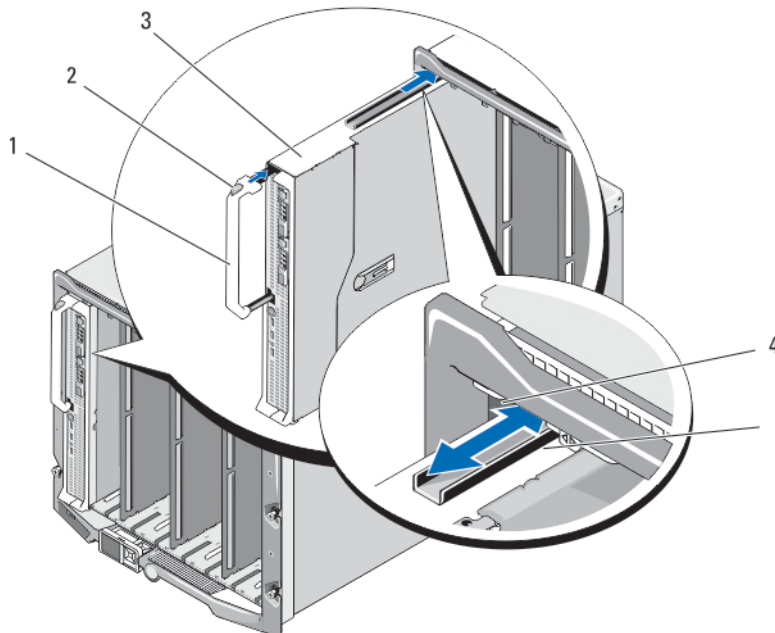



Figure 38. Removing and Installing a Full-Height Blade


- | | |
|---|----------------------------|
| 1. blade handle | 2. release button |
| 3. blade | 4. guide rail on enclosure |
| 5. guide rail on blade (or blade blank) | |

Installing A Blade

1. If you are installing a new blade, remove the plastic cover from the I/O connector(s) and save for future use.
2. Orient the blade so that the blade handle is on the left side of the blade.
 **CAUTION: If you are installing a full-height blade in bays 3 or 4 or a half-height blade in bays 11 or 12, rotate the LCD module to the horizontal storage position to prevent accidental damage to the LCD screen.**
3. To install a full-height blade or a half-height blade in bays 1 through 8, align the guide rail on the upper edge of the blade so that the rail fits between the plastic guides on the enclosure.
4. To install a half-height blade in one of the eight lower bays (bays 9 through 16), align the edge of the blade with the guide rail on the floor of the M1000e enclosure.
5. Slide the blade into the enclosure until the handle engages and locks the blade in place.

Power Supply Modules

The Dell PowerEdge M1000e enclosure supports up to six hot-swappable power supply modules, accessible from the enclosure back panel.

-  **NOTE: The power supply modules have internal fans that provide thermal cooling to these modules. A power supply module must be replaced if an internal fan failure occurs.**




The CMC module controls power management for the system. You can program the CMC to configure the power budget, redundancy, and dynamic power of the entire enclosure (chassis, servers, I/O modules, iKVM, CMC, and power supplies). The power management service optimizes power consumption and re-allocates power to different modules based on real-time demand. For more information, see the CMC User's Guide at support.dell.com/manuals.

-  **NOTE: The wattage of a power supply module is listed on its regulatory label.**



Power Supply Blanks

If the M1000e enclosure is operated with only three power supplies, power supply blanks must be installed in the three unoccupied power supply bays (4 through 6) to maintain proper cooling airflow in the enclosure.

AC Power Supply Modules

-  **NOTE: A 2700 W power supply module requires 110 V to 240 V input from an AC power source. If a power supply module is plugged into a 110 V electrical outlet, the power supply operates at 1350 W, if you select the Allow 110 VAC Operation check box in the CMC Power Configuration screen.**
-  **NOTE: A 3000 W power supply module requires 200 V to 240 V input from an AC power source.**
-  **NOTE: PDU inlet cords for this system may be too thick to fit in the wire guides installed in the rack vertical rails. If this is the case, remove the wire guides by removing the attachment screw securing each guide. Route the PDU inlet cords along the vertical rails, securing them with tie wraps or strips.**

Removing An AC Power Supply

-  **CAUTION: Many repairs may only be done by a certified service technician. You should only perform troubleshooting and simple repairs as authorized in your product documentation, or as directed by the online or telephone service and support team. Damage due to servicing that is not authorized by Dell is not covered by your warranty. Read and follow the safety instructions that are shipped with your product.**
-  **NOTE: The power supply modules are hot-swappable. Remove and replace only one power supply module at a time in a system that is turned on.**

1. Release the retention clip on the power cable and disconnect the power cable from the power supply module.
2. Press down on the power supply module release button on the handle.
3. Rotate the power supply module handle down to eject the power supply module.
4. Slide the power supply module out of the enclosure.

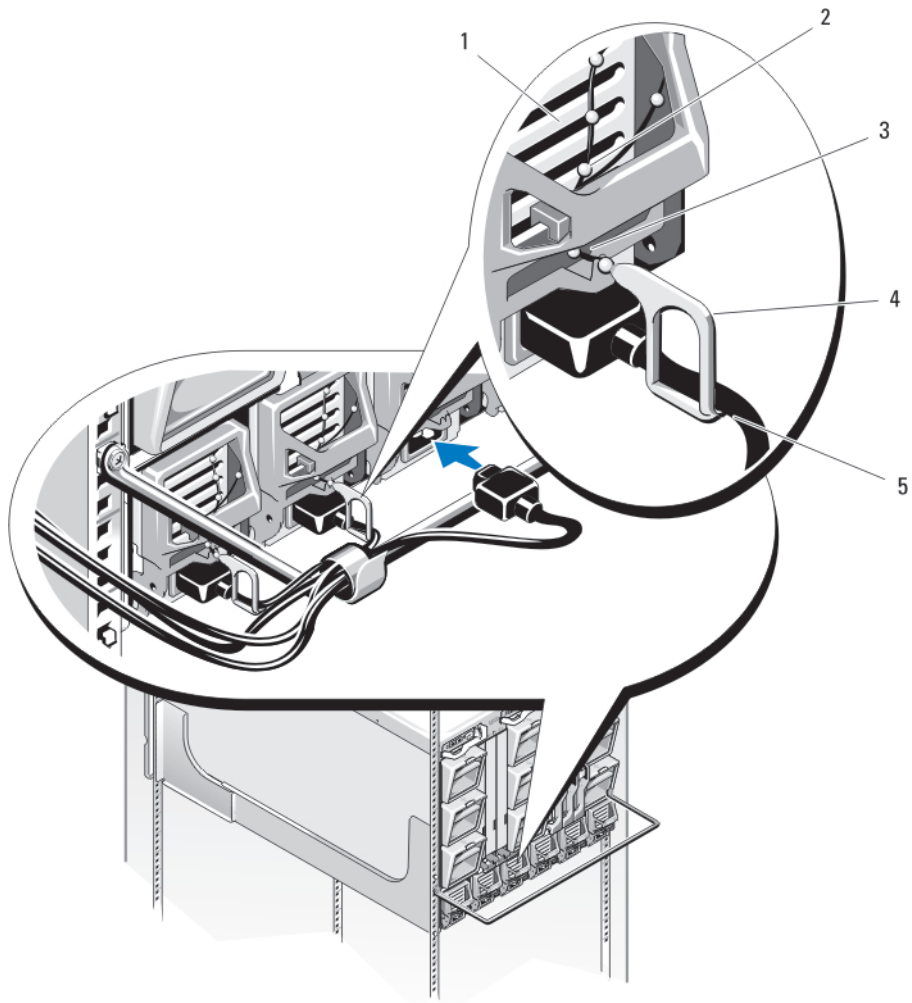


Figure 39. Power Cable Retention Clip

- 1. power supply
- 2. retention clip tether
- 3. notch in power supply handle
- 4. retention clip
- 5. power cable

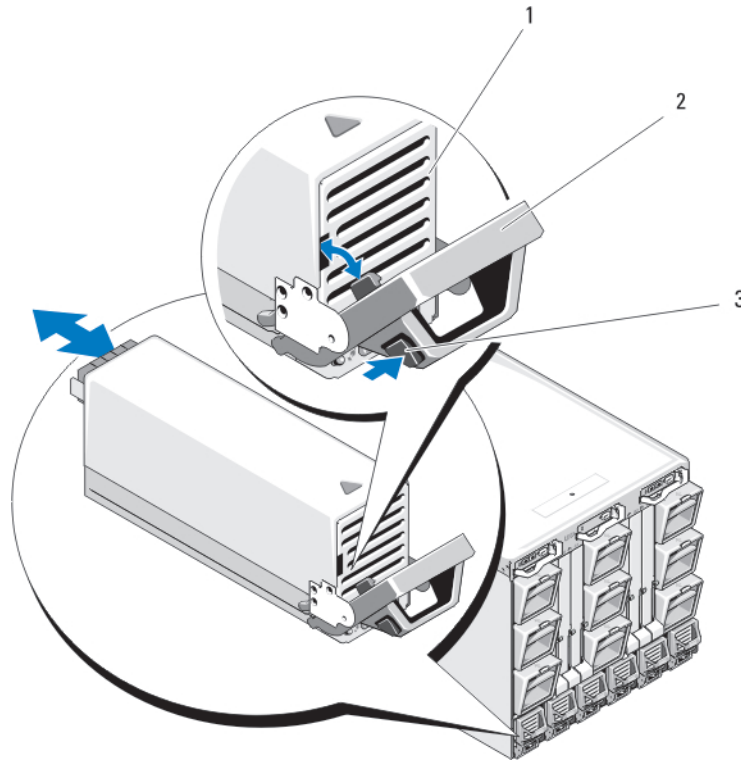


Figure 40. Removing and Installing a Power Supply Module

- a. power supply
- b. handle
- c. release button

Installing An AC Power Supply

⚠ CAUTION: Many repairs may only be done by a certified service technician. You should only perform troubleshooting and simple repairs as authorized in your product documentation, or as directed by the online or telephone service and support team. Damage due to servicing that is not authorized by Dell is not covered by your warranty. Read and follow the safety instructions that are shipped with your product.

1. Ensure that the power supply module handle is fully open and the power cable is not plugged into the electrical outlet.
2. Slide the power supply module into the enclosure.
3. Rotate the power supply module handle upward until it latches.
4. Plug a power cable into the power supply module.
5. Secure the cable to the power supply with the retention clip by fitting the retention clip over the cable, and fitting the retention clip tether into the notch in the power supply handle.

DC Power Supply Modules

A 2700 W DC power supply module requires $-(48-60)$ V DC input from a DC power source.

Wiring Instructions For A DC Power Supply

This document describes the requirements and wiring instructions for a -48 V DC power wire and safety ground wire for systems equipped with a -48 V DC supply.

i NOTE: For equipment using $-(48-60)$ V DC power supplies, a qualified electrician must perform all connections to DC power and to safety grounds. Do not attempt connecting to DC power or installing grounds yourself. All electrical wiring must comply with applicable local or national codes and practices. Damage due to servicing that is not authorized by Dell is not covered by your warranty. Read and follow all safety instructions that came with the product.

i NOTE: An energy hazard will exist if the safety ground cable is omitted or disconnected.

NOTE: The system chassis must be positively grounded to the rack cabinet frame. Do not attempt to connect power to the system until grounding cables are connected.

CAUTION: A qualified electrician must perform all connections to DC power and safety grounds. The system must be safety grounded at the cabinet frame. All electrical wiring must comply with applicable local or national codes and practices.

CAUTION: This equipment is designed to permit the connection of the earthed conductor of the DC supply circuit to the earthing conductor on the equipment. See the installation instructions. If this connection is made, all of the following conditions must be met.

- This equipment must be connected directly to the DC supply system earthing electrode conductor or to a bonding jumper from an earthing terminal bar or bus to which the DC supply system earthing electrode conductor is connected.
- This equipment must be located in the same immediate area (such as, adjacent cabinets) as any other equipment that has a connection between the earthed conductor of the same DC supply circuit and the earthing conductor, and also the point of earthing of the DC system. The DC system must not be earthed elsewhere.
- The DC supply source must be located within the same premises as this equipment.
- The earthed circuit conductor between the DC power source and the earthing electrode conductor must not be connected to switching or disconnecting devices.

Precaution Statements

This product is intended for restricted access locations (dedicated equipment rooms, equipment closet, or the like) in accordance with the National Electrical Code, American National Standards Institute (ANSI)/National Fire Protection Association (NFPA) 70.

CAUTION: Wire the unit with copper only. Unless otherwise specified, use only 4 American Wire Gauge (AWG) wire rated minimum 90 °C (194 °F) for source and return. Protect the $-(48-60)$ V DC (1 wire) with a branch circuit overcurrent protection rated 100 A for DC with a high interrupt current rating.

Connect the equipment to a -48 V DC supply source that is electrically isolated from the AC source (reliably grounded 48 V DC SELV source). Ensure that the -48 V DC source is secured to earth (ground).

NOTE: A readily accessible disconnect device that is suitably approved and rated must be incorporated in the field wiring.

CAUTION: When stranded wiring is required, use approved wiring termination, such as closed-loop or spade-type with upturned lugs. These terminations are the appropriate size for the wires and must be double crimped, one on the conductor and one on the insulation.

CAUTION: When installing the unit, the ground connection must always be made first and disconnected last to prevent an energy hazard.

CAUTION: Never defeat the ground conductor or operate the equipment in the absence of a suitably installed ground conductor. Contact the appropriate electrical inspection authority or an electrician if you are uncertain that suitable grounding is available.

Input Requirements

- Supply voltage: $-(48-60)$ V DC
- Current consumption: 75 A (maximum)

Kit Contents

- Molex # 394260002 at PSU end
- Molex # 39422-0012 mating DC power connector

Required Tools

- Hand-crimping tool (Tyco Electronics 1490749-1, Upper Die 1490414-2, Lower Die 1-1490413-6).
- Wire-stripper pliers capable of removing insulation from size 4 AWG solid or stranded, insulated copper wire.

NOTE: Use alpha wire part number 3080 or equivalent (65/30 stranding).

Required Wires

- One UL 4 AWG, 2 m maximum (stranded) black wire [–(48–60) V DC]
- One UL 4 AWG, 2 m maximum (stranded) red wire (V DC return)
- One UL 4 AWG, 2 m maximum (stranded) green/yellow/green with a yellow stripe wire (safety ground)

Assembling And Connecting The Safety Ground Wire

NOTE: For equipment using –(48–60) V DC power supplies, a qualified electrician must perform all connections to DC power and to safety grounds. Do not attempt connecting to DC power or installing grounds yourself. All electrical wiring must comply with applicable local or national codes and practices. Damage due to servicing that is not authorized by Dell is not covered by your warranty. Read and follow all safety instructions that came with the product.

1. Strip the insulation from the end of the green/yellow wire (safety ground wire), exposing approximately 4.5 mm (0.175 inch) of copper wire.
2. Using a hand-crimping tool (Tyco Electronics 1490749-1, Upper Die 1490414-2, and Lower Die 1-1490413-6), crimp the ring-tongue terminal (Amp/Tyco PN 33115-1) to the green/yellow wire.
3. Connect the safety ground wire to the grounding post on the back of the system using a #5/16 nut equipped with a locking washer. The nut must be torqued to 16 in lbs (1.8 N-m) to ensure proper ground wire retention.

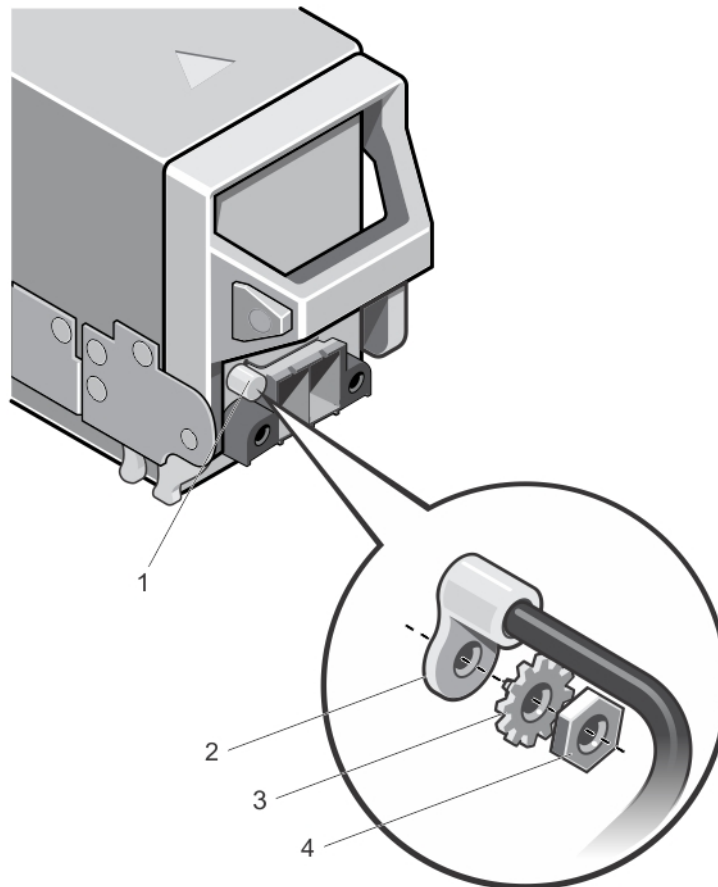


Figure 41. Assembling and Connecting the Safety Ground Wire

- | | |
|-------------------|--------------------------------|
| 1. grounding post | 2. safety ground wire terminal |
| 3. locking washer | 4. #5/16 nut |

Assembling The DC Input Power Wires And DC Power Connector

NOTE: For equipment using $-(48-60)$ V DC power supplies, a qualified electrician must perform all connections to DC power and to safety grounds. Do not attempt connecting to DC power or installing grounds yourself. All electrical wiring must comply with applicable local or national codes and practices. Damage due to servicing that is not authorized by Dell is not covered by your warranty. Read and follow all safety instructions that came with the product.

- Strip the insulation from the ends of the DC power wires, exposing approximately 13 mm (0.5 inch) of copper wire.
 - NOTE:** Reversing polarity when connecting DC power wires can permanently damage the power supply or the system.
- Insert the copper ends into the mating connectors and tighten the captive screws at the top of the mating connector using a #2 Phillips screwdriver. The captive screws must be torqued to 16 in lbs (1.8 N-m) to ensure proper cable retention.
 - NOTE:** To protect the power supply from electrostatic discharge, the captive screws must be covered with the rubber cap before inserting the mating connector into the power supply.
- Rotate the rubber cap to fix it over the captive screws.
- Insert the DC power connector into the power supply.
- Tighten the screws on the wings of the DC power connector.

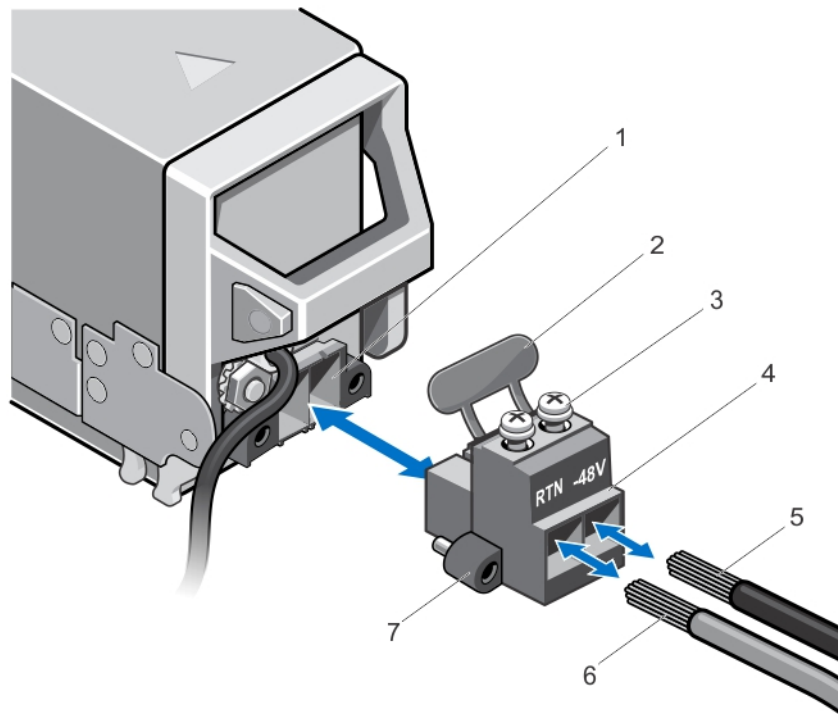


Figure 42. Assembling the DC Input Power Wires

- | | |
|-----------------------|-----------------------|
| 1. DC power socket | 2. rubber cap |
| 3. captive screws (2) | 4. DC power connector |
| 5. wire -48 V | 6. wire RTN |
| 7. wings (2) | |

Removing A DC Power Supply

NOTE: For equipment using $-(48-60)$ V DC power supplies, a qualified electrician must perform all connections to DC power and to safety grounds. Do not attempt connecting to DC power or installing grounds yourself. All electrical wiring must comply with applicable local or national codes and practices. Damage due to servicing that is not authorized by Dell is not covered by your warranty. Read and follow all safety instructions that came with the product.

CAUTION: The system requires six power supplies for normal operation. On power-redundant systems, remove and replace only one power supply at a time in a system that is powered on.

NOTE: Modifying the modular enclosure redundancy policy is recommended to be performed while the modular enclosure is powered off.

NOTE: The power supply modules have internal fans that provide thermal cooling to these modules. A power supply module must be replaced if an internal fan failure occurs.

NOTE: You may have to unlatch and lift the optional cable management arm if it interferes with power supply removal. For information about the cable management arm, see the system's rack documentation.

1. Disconnect the power wires from the power source and the connector from the power supply you intend to remove.
2. Disconnect the safety ground wire.
3. Press the release latch on the power supply and slide the power supply away from the chassis.

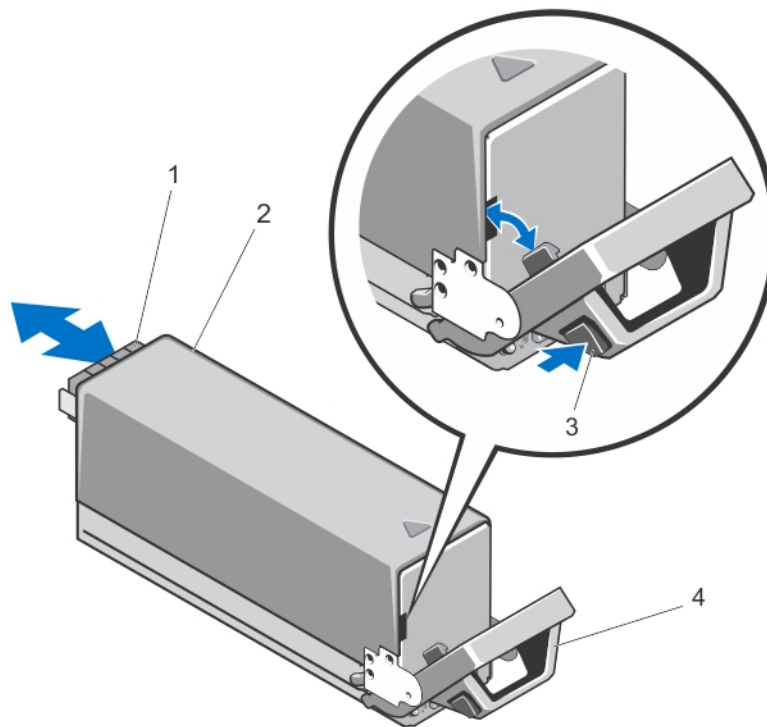


Figure 43. Removing and Installing a DC Power Supply

- | | |
|------------------|------------------------|
| 1. connector | 2. DC power supply |
| 3. release latch | 4. power supply handle |

Installing A DC Power Supply

NOTE: For equipment using $-(48-60)$ V DC power supplies, a qualified electrician must perform all connections to DC power and to safety grounds. Do not attempt connecting to DC power or installing grounds yourself. All electrical wiring must comply with applicable local or national codes and practices. Damage due to servicing that is not authorized by Dell is not covered by your warranty. Read and follow all safety instructions that came with the product.

1. Verify that both the power supplies are the same type and have the same maximum output power.

NOTE: The maximum output power (shown in Watts) is listed on the power supply label.

2. If applicable, remove the power supply blank.
3. Slide the new power supply into the chassis until the power supply is fully seated and the release latch snaps into place.

NOTE: If you unlatched the cable management arm, re-latch it. For information about the cable management arm, see the system's rack documentation.

4. Connect the safety ground wire. See [Assembling And Connecting The Safety Ground Wire](#).
5. Install the DC power connector in the power supply. See [Assembling The DC Input Power Wires And DC Power Connector](#).
6. Connect the power wires to a DC power source.

NOTE: When installing, hot-swapping, or hot-adding a new power supply, allow several seconds for the system to recognize the power supply and determine its status. The power-supply status indicator turns green to signify that the power supply is functioning properly.

Fan Modules

The M1000e enclosure contains nine hot-swappable fan modules. All nine fan modules must be installed at all times to ensure proper cooling.

To provide additional cooling for the blades in the enclosure, you can set the fan module configuration to the **Enhanced Cooling Mode** (ECM) in the CMC web interface. The ECM feature is available only when all nine fan slots are populated with third generation M1000e fans. Disabled ECM may reduce upper ambient temperature support on certain system configurations. ECM should be enabled for the following conditions:

- PowerEdge M630 systems populated with processors of 120 W or more
- PowerEdge M630 systems deployed in environments where the temperature exceeds 30°C
- Any server module configuration operating in a fresh-air environment

For more information on the **Enhanced Cooling Mode** option, see the latest PowerEdge M1000e CMC User's Guide at dell.com/esmanuals.

Removing A Fan Module

NOTE: Do not operate the system without the cooling fans.

CAUTION: Exercise care while handling the fan module to prevent damage to the connector on the fan module.

CAUTION: Many repairs may only be done by a certified service technician. You should only perform troubleshooting and simple repairs as authorized in your product documentation, or as directed by the online or telephone service and support team. Damage due to servicing that is not authorized by Dell is not covered by your warranty. Read and follow the safety instructions that are shipped with your product.

1. Identify the failed system fan module using the back-panel fan module indicators.
2. Press the fan-module release button.
3. Slide the fan module out of the enclosure.

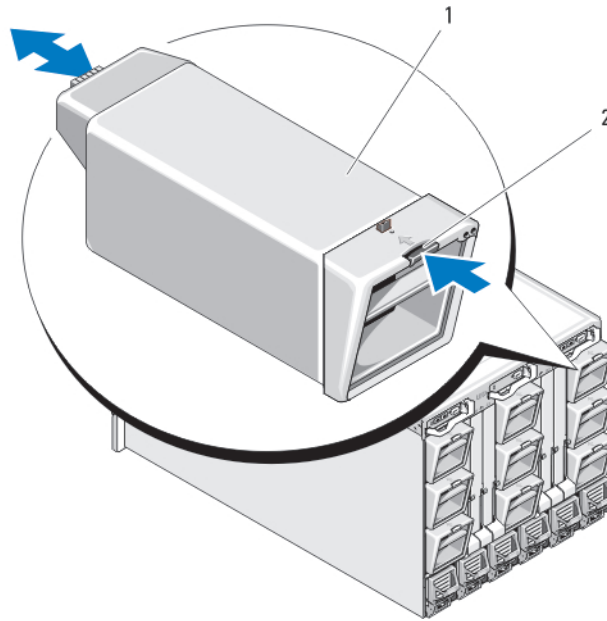


Figure 44. Removing and Installing A Fan Module

- a. fan module
- b. release button

Installing A Fan Module

CAUTION: Many repairs may only be done by a certified service technician. You should only perform troubleshooting and simple repairs as authorized in your product documentation, or as directed by the online or telephone service and support team. Damage due to servicing that is not authorized by Dell is not covered by your warranty. Read and follow the safety instructions that are shipped with your product.

CAUTION: Exercise care while handling the fan module to prevent damage to the connector on the fan module.

1. Inspect the fan for debris before installing the fan in the enclosure.
2. Slide the fan module into the enclosure until it is fully seated and the release button engages.

CMC Module

Removing A CMC Module

CAUTION: Many repairs may only be done by a certified service technician. You should only perform troubleshooting and simple repairs as authorized in your product documentation, or as directed by the online or telephone service and support team. Damage due to servicing that is not authorized by Dell is not covered by your warranty. Read and follow the safety instructions that are shipped with your product.

1. Disconnect the cables attached to the CMC module.
2. Push the release latch on the handle and rotate the handle away from the module front panel.
3. Slide the CMC module out of the enclosure.
4. Install the I/O connector cover.

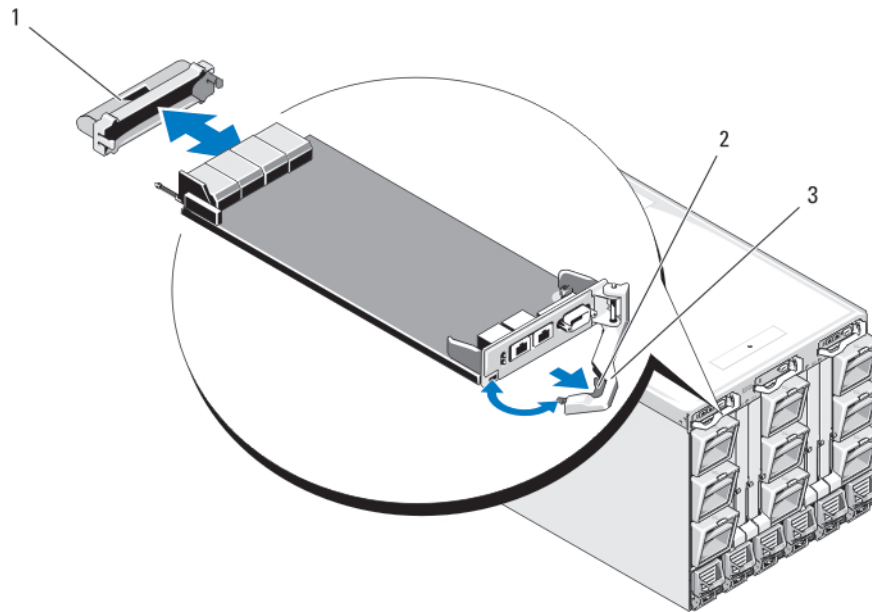


Figure 45. Removing and Installing a CMC Module or iKVM Module (CMC Module Shown)

- a. I/O connector cover
- b. release latch
- c. release lever

Installing A CMC Module

CAUTION: Many repairs may only be done by a certified service technician. You should only perform troubleshooting and simple repairs as authorized in your product documentation, or as directed by the online or telephone service and support team. Damage due to servicing that is not authorized by Dell is not covered by your warranty. Read and follow the safety instructions that are shipped with your product.

1. Remove the I/O connector cover.
2. Open the CMC module handle.
3. Slide the module into the enclosure until the handle contacts the enclosure.
4. To fully seat the module, close the handle until the release latch snaps into place.
5. Reconnect the cables that were attached to the module.

CMC Module SD Card

The SD card slot on the CMC module supports an optional WWN/MAC feature that allows slot-based WWN/MACs for the blades, simplifying blade installation and replacement.

NOTE: For a redundant CMC module system, install the SD card on the passive module. The blue status indicator on the passive module is off.

1. Remove the CMC module from the M1000e enclosure.

NOTE: Verify the write protection latch is in the "unlock" position.

2. Locate the SD card slot on the bottom of the CMC module and insert the contact-pin end of the card into the slot with the label on the card facing upwards.
3. Reinstall the CMC module and reattach any cables that were disconnected.

On a single CMC system, the SD card activates automatically. For redundant CMC module systems, initiate a changeover to make the passive module active using the following steps:

- a. Navigate to the **Chassis** page.
- b. Click the **Power Management** tab.
- c. Click the **Control** sub tab.
- d. Select the **Reset CMC (warm boot)** button.

e. Click **Apply**.

The CMC automatically fails over to the redundant module, and that module now becomes active and displays a solid blue status LED. The SD card activates automatically.

For information on configuration and usage of the FlexAddress feature, see the CMC User's Guide at support.dell.com/manuals.

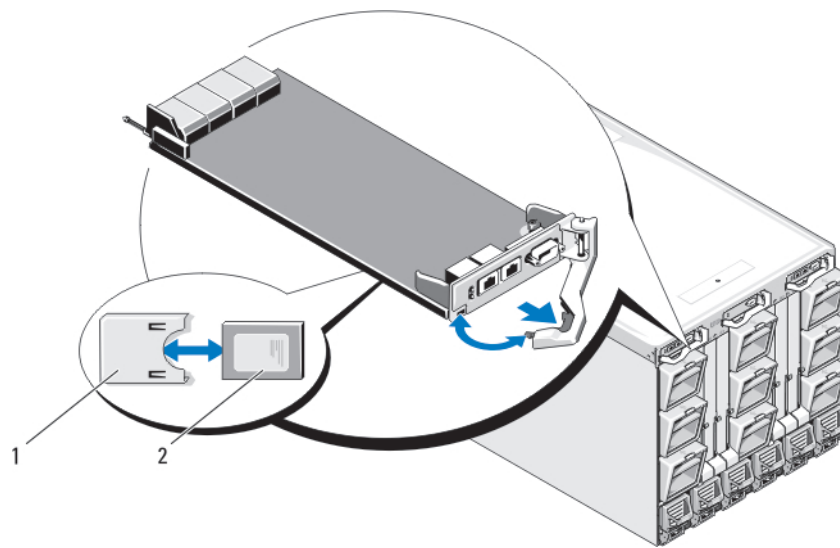


Figure 46. Installing an SD Card in the CMC Module

- a. SD card connector
- b. SD card

iKVM Module

Removing An iKVM Module

CAUTION: Many repairs may only be done by a certified service technician. You should only perform troubleshooting and simple repairs as authorized in your product documentation, or as directed by the online or telephone service and support team. Damage due to servicing that is not authorized by Dell is not covered by your warranty. Read and follow the safety instructions that are shipped with your product.

1. Disconnect the cables attached to the iKVM module.
2. Press in the release latch on the handle and rotate the handle away from the module front panel.
3. Slide the module out of the enclosure.
4. Install the I/O connector cover.

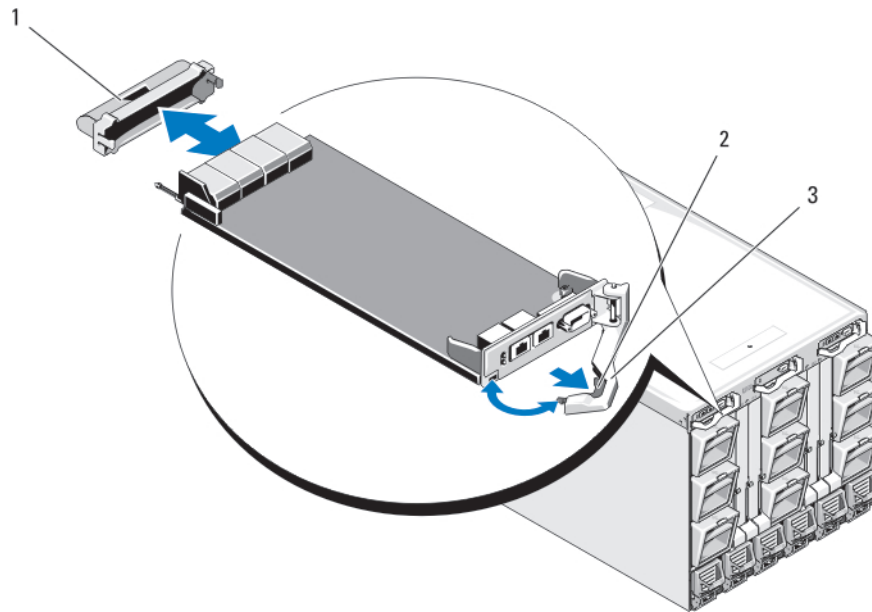


Figure 47. Removing and Installing a CMC Module or iKVM Module (CMC Module Shown)

- a. I/O connector cover
- b. release latch
- c. release lever

Installing An iKVM Module

CAUTION: Many repairs may only be done by a certified service technician. You should only perform troubleshooting and simple repairs as authorized in your product documentation, or as directed by the online or telephone service and support team. Damage due to servicing that is not authorized by Dell is not covered by your warranty. Read and follow the safety instructions that are shipped with your product.

1. Remove the I/O connector cover.
2. Open the iKVM module handle.
3. Slide the module into the enclosure until the handle contacts the enclosure.
4. To fully seat the module, close the handle until the release latch snaps into place.
5. If applicable, connect the keyboard, monitor, and mouse to the module.

I/O Modules

CAUTION: If you remove an I/O module, you must either replace it with another I/O module or with a filler blank to maintain cooling airflow through the system enclosure.

Removing An I/O Module

CAUTION: Many repairs may only be done by a certified service technician. You should only perform troubleshooting and simple repairs as authorized in your product documentation, or as directed by the online or telephone service and support team. Damage due to servicing that is not authorized by Dell is not covered by your warranty. Read and follow the safety instructions that are shipped with your product.

1. If you have not already installed the cable enumerators to make removal and replacement of the I/O modules easier and faster, install them now.
For more information, see the *Rack Installation Guide* at support.dell.com/manuals.
2. Disconnect the cables attached to the I/O module.
3. Lift the latch on the end of the module's handle and rotate the handle away from the module.

4. Slide the I/O module out of the enclosure.
5. Install the I/O connector cover.

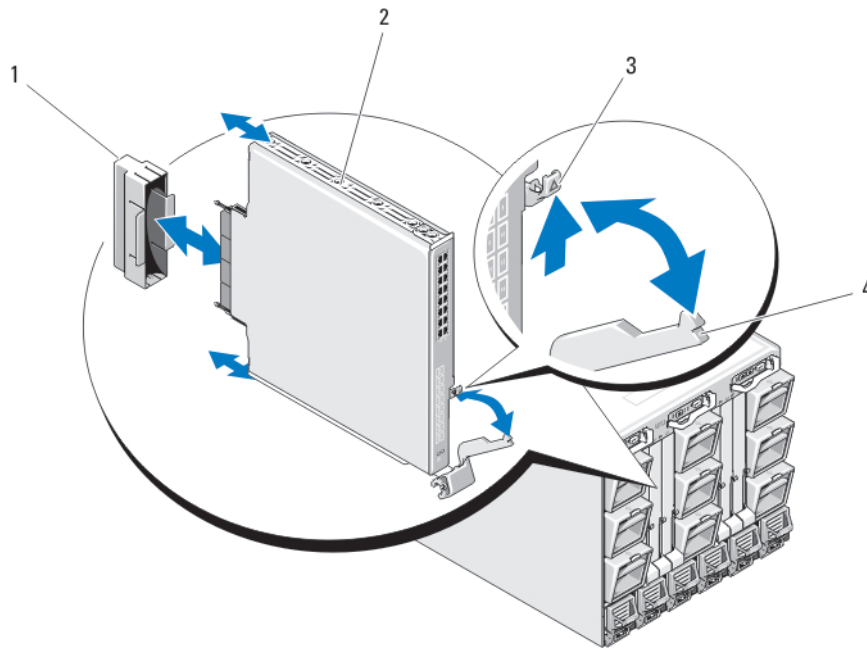


Figure 48. Removing and Installing an I/O Module

- | | |
|--|--|
| <ol style="list-style-type: none"> 1. I/O connector cover 3. release latch | <ol style="list-style-type: none"> 2. I/O module 4. handle |
|--|--|

Installing An I/O Module

CAUTION: Many repairs may only be done by a certified service technician. You should only perform troubleshooting and simple repairs as authorized in your product documentation, or as directed by the online or telephone service and support team. Damage due to servicing that is not authorized by Dell is not covered by your warranty. Read and follow the safety instructions that are shipped with your product.

NOTE: The I/O module must be installed in the appropriate I/O bay.

1. Unpack the I/O module and prepare it for installation.
For instructions, see the documentation that accompanied the I/O module.
2. Remove the I/O connector cover from the back of the module.
3. Lift the handle release latch and open the I/O module handle.
4. Slide the module into the enclosure.
5. Close the handle until it snaps securely into place and the module is fully seated.
6. Connect all cables that must be attached to the I/O module.
See the documentation provided with the I/O module for information about its cable connections. For more information on using the cable enumerators to organize and manage the cables, see the *Rack Installation Guide* at support.dell.com/manuals.
7. A matching fabric mezzanine card must be installed in one or more blades to support the new I/O module. If necessary, install the mezzanine card(s).

Enclosure Bezel

Removing The Enclosure Bezel

CAUTION: Many repairs may only be done by a certified service technician. You should only perform troubleshooting and simple repairs as authorized in your product documentation, or as directed by the online or telephone service and

support team. Damage due to servicing that is not authorized by Dell is not covered by your warranty. Read and follow the safety instructions that are shipped with your product.

1. Press the power switch on the enclosure to turn off the system.
2. Rotate the LCD module so that the underside of the module faces upward.
3. Remove the cable cover and disconnect the ribbon cable from the LCD module.
4. Remove the Torx T8 and Torx T20 screws that secure the bezel to the enclosure.

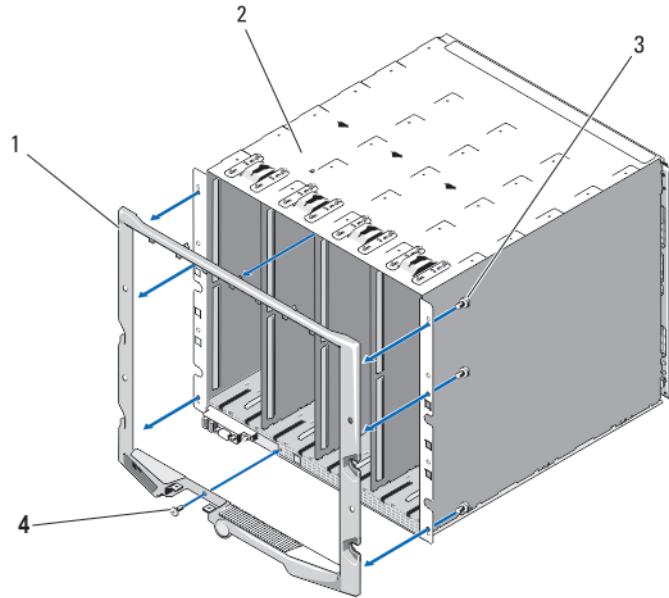


Figure 49. Removing and Installing the Bezel

- | | |
|------------------------|-----------------------|
| 1. bezel | 2. enclosure |
| 3. Torx T20 screws (6) | 4. Torx T8 screws (2) |

Installing The Enclosure Bezel

CAUTION: Many repairs may only be done by a certified service technician. You should only perform troubleshooting and simple repairs as authorized in your product documentation, or as directed by the online or telephone service and support team. Damage due to servicing that is not authorized by Dell is not covered by your warranty. Read and follow the safety instructions that are shipped with your product.

1. Attach the bezel to the enclosure using the Torx T8 and Torx T20 screws.
2. Connect the ribbon cable to the LCD module, and reinstall the cover plate.

Enclosure Midplane

Removing The Front Module Cage Assembly And Midplane

CAUTION: Many repairs may only be done by a certified service technician. You should only perform troubleshooting and simple repairs as authorized in your product documentation, or as directed by the online or telephone service and support team. Damage due to servicing that is not authorized by Dell is not covered by your warranty. Read and follow the safety instructions that came with the product.

NOTE: A Torx T20 driver is required for this procedure.

1. Press the enclosure power switch to turn off the system.

CAUTION: To avoid damaging the modules, you must remove all the modules installed in the enclosure before removing the front module cage assembly and midplane.

NOTE: If you remove the chassis from the rack, you must remove all modules before moving the chassis. Do not use the LCD display as a handle when moving the chassis.

2. Remove the following:
 - a) All the blades
 - b) Power supply modules
 - c) Fan modules
 - d) CMC module(s)
 - e) iKVM module
 - f) I/O modules
3. Remove the four Torx T20 screws securing the front module cage assembly to the enclosure.

NOTE: The empty cage assembly weighs 21 kg (47 lb). Obtain assistance when removing the cage assembly from the enclosure.

4. Slide the cage out from the enclosure.
5. Disconnect the control-panel cable from the midplane by pressing the small latch at each end of the connector.
6. Remove the four Torx T15 screws securing the midplane to the back of the front cage assembly, and remove the midplane.

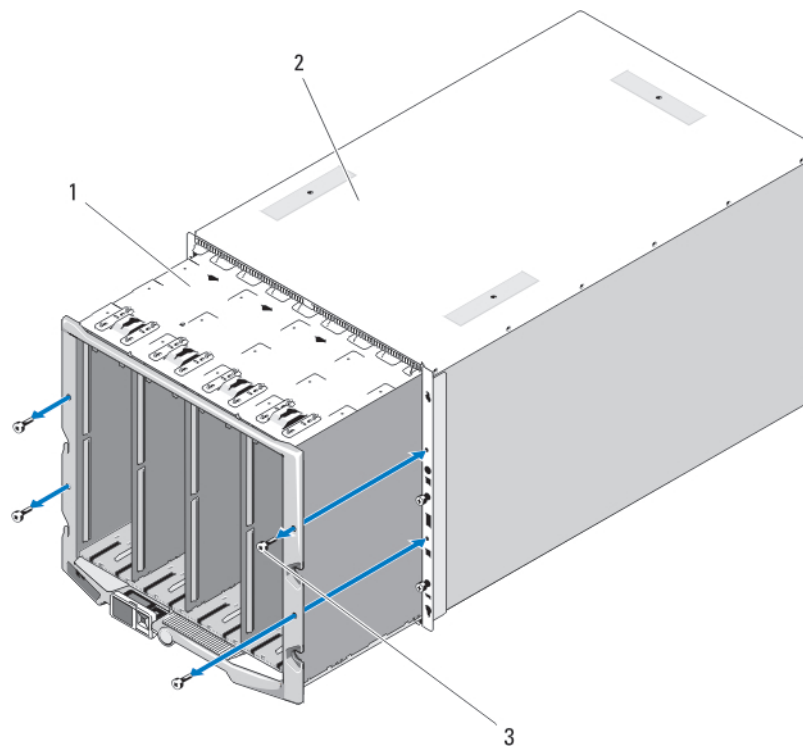


Figure 50. Removing and Installing the Front Module Cage Assembly

- a. front module cage assembly
- b. enclosure
- c. Torx T20 screws (4)

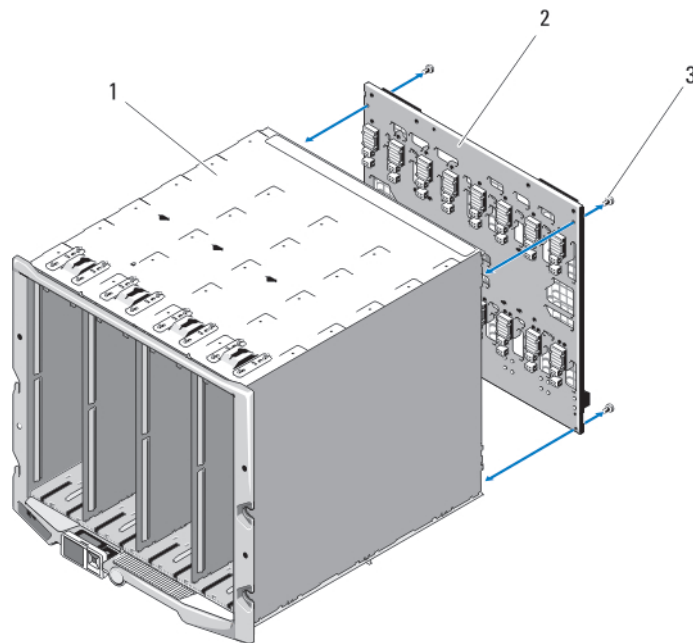


Figure 51. Removing and Installing the Midplane

- a. front module cage assembly
- b. midplane
- c. Torx T15 screws (4)

Installing The Midplane And Front Module Cage Assembly

CAUTION: Many repairs may only be done by a certified service technician. You should only perform troubleshooting and simple repairs as authorized in your product documentation, or as directed by the online or telephone service and support team. Damage due to servicing that is not authorized by Dell is not covered by your warranty. Read and follow the safety instructions that came with the product.

1. Attach the midplane to the front module cage assembly and secure it with the four Torx T15 screws.
2. Connect the control-panel cable to the midplane.
3. Carefully slide the front module cage assembly into the enclosure.
4. Install the four Torx T20 screws to secure the front module cage assembly to the enclosure.
5. Install the following:
 - a) I/O modules
 - b) iKVM module
 - c) CMC module(s)
 - d) Fan modules
 - e) Power supply modules
 - f) All the blades

Enclosure Control Panel Assembly

Removing The Control Panel

CAUTION: Many repairs may only be done by a certified service technician. You should only perform troubleshooting and simple repairs as authorized in your product documentation, or as directed by the online or telephone service and

support team. Damage due to servicing that is not authorized by Dell is not covered by your warranty. Read and follow the safety instructions that came with the product.

1. Press the system power switch to turn off the system.
2. Remove the blades.
3. Remove the bezel.
4. Remove the two screws securing the control panel to the enclosure.
5. Press the catch at each end of the control-panel cable connector, and remove the control-panel cable from the underside of the control panel.
6. Use the pull-tab to disconnect the LCD panel cable from the underside of the control panel.

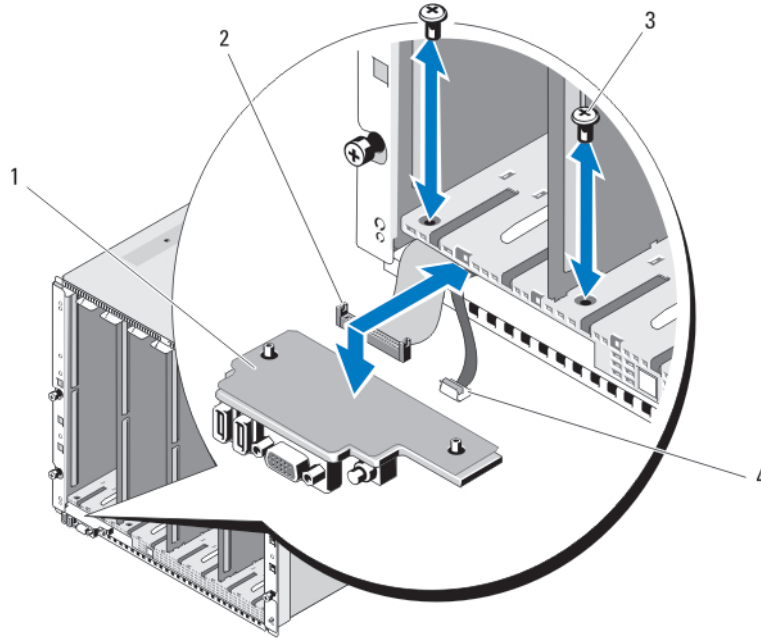


Figure 52. Removing and Installing the Control Panel

- | | |
|------------------|------------------------|
| 1. control panel | 2. control-panel cable |
| 3. screws (2) | 4. LCD panel cable |

Installing The Control Panel

CAUTION: Many repairs may only be done by a certified service technician. You should only perform troubleshooting and simple repairs as authorized in your product documentation, or as directed by the online or telephone service and support team. Damage due to servicing that is not authorized by Dell is not covered by your warranty. Read and follow the safety instructions that came with the product.

1. Connect the LCD panel cable to the new control panel.
2. Connect the control panel cable to the underside of the new control panel.
3. Reinstall the control panel using the two screws.
4. Reinstall the bezel.
5. Install the blades.

LCD Module

Removing The LCD Module

CAUTION: Many repairs may only be done by a certified service technician. You should only perform troubleshooting and simple repairs as authorized in your product documentation, or as directed by the online or telephone service and support team. Damage due to servicing that is not authorized by Dell is not covered by your warranty. Read and follow the safety instructions that are shipped with your product.

1. Rotate the LCD module so that the underside of the module faces upward.
2. Remove the cable cover.
3. Disconnect the ribbon cable.
4. Remove the two Torx T8 screws securing the LCD module to the hinges.

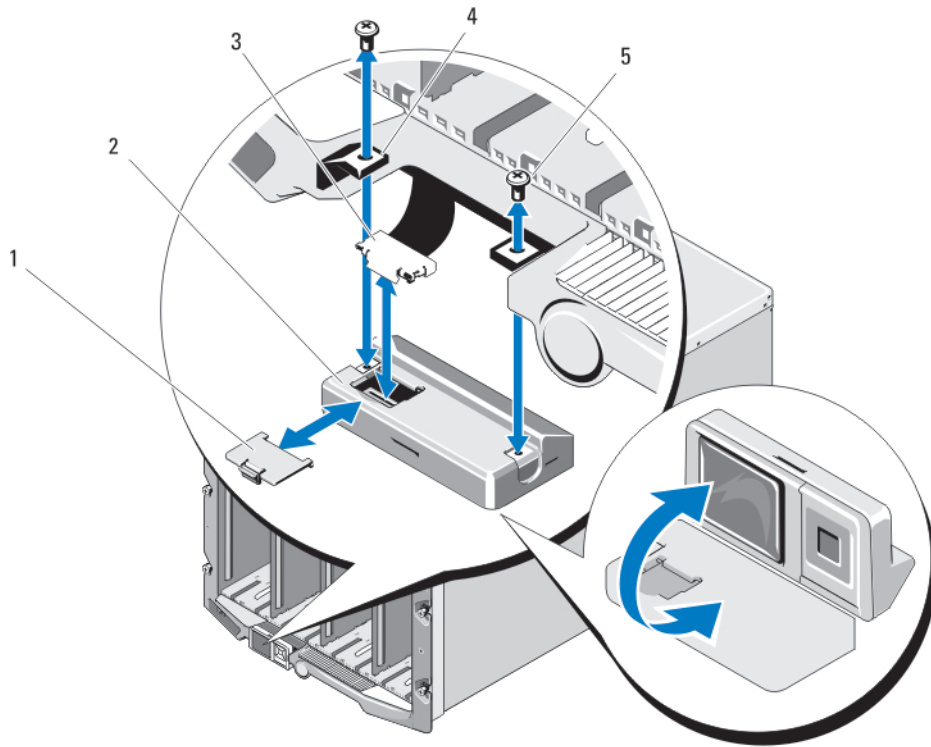


Figure 53. Removing and Installing the LCD Module

- | | |
|-----------------------|---------------|
| 1. cable cover | 2. LCD module |
| 3. ribbon cable | 4. hinges (2) |
| 5. Torx T8 screws (2) | |

Installing The LCD Module


CAUTION: Many repairs may only be done by a certified service technician. You should only perform troubleshooting and simple repairs as authorized in your product documentation, or as directed by the online or telephone service and support team. Damage due to servicing that is not authorized by Dell is not covered by your warranty. Read and follow the safety instructions that came with the product.

1. Attach the new LCD module to the hinges using the two Torx T8 screws.
2. Connect the ribbon cable to the module, and reinstall the cable cover.

Troubleshooting The Enclosure

 **NOTE:** For troubleshooting information on the blades in your enclosure, see the blade documentation at support.dell.com/manuals.

Safety First—For You and Your System

 **CAUTION:** Many repairs may only be done by a certified service technician. You should only perform troubleshooting and simple repairs as authorized in your product documentation, or as directed by the online or telephone service and support team. Damage due to servicing that is not authorized by Dell is not covered by your warranty. Read and follow the safety instructions that are shipped with your product.

Topics:

- [Responding to a Systems Management Alert Message](#)
- [Troubleshooting A Damaged Enclosure](#)
- [Troubleshooting Enclosure Components](#)

Responding to a Systems Management Alert Message

The CMC management applications monitor critical system voltages and temperatures, and the cooling fans in the system. For information about the CMC alert messages, see the CMC User's Guide at support.dell.com/manuals.

Troubleshooting A Damaged Enclosure

1. Ensure that the following components are properly installed and connected:
 - CMC module
 - iKVM module
 - I/O modules
 - Power supply modules
 - Fan modules
 - Blades
 - Sleeves (with quarter-height blades)
2. Ensure that all cables are properly connected.
3. Ensure that all components are properly installed and free from damage.
4. Run the online diagnostics.
If the tests fail, see [Getting Help](#).

Troubleshooting Enclosure Components

The following procedures describe how to troubleshoot the following components:

- Power supply modules
- Fan modules
- CMC module
- Network switch module

Troubleshooting A Wet Enclosure

CAUTION: Many repairs may only be done by a certified service technician. You should only perform troubleshooting and simple repairs as authorized in your product documentation, or as directed by the online or telephone service and support team. Damage due to servicing that is not authorized by Dell is not covered by your warranty. Read and follow the safety instructions that are shipped with your product.

1. Turn off the system.
2. Disconnect the power supplies from the PDU.

CAUTION: Wait until all of the indicators on the power supplies turn off before proceeding.

3. Remove all of the blades/sleeves.
4. Remove the following components from the enclosure:
 - a) Power supply modules
 - b) Fan modules
 - c) CMC module(s)
 - d) iKVM module
 - e) I/O modules
5. Let the system dry thoroughly for at least 24 hours.

NOTE: Air dry and do not use towels.

6. Install the following components in the enclosure:
 - a) I/O modules
 - b) iKVM module
 - c) CMC module(s)
 - d) Fan modules
 - e) Power supply modules
7. Install the blades/sleeves.
8. Reconnect the power supply modules to their PDU and start up the system.
If the system does not start up properly, see [Getting Help](#).
9. Run the Server Administrator diagnostics to confirm that the system is working properly.
If the tests fail, see [Getting Help](#).

Troubleshooting Power Supply Modules

NOTE: The power-supply modules are hot swappable. Remove and replace only one power-supply module at a time in a system that is turned on. Leave a failed power-supply module installed in the enclosure until you are ready to replace it. Operating the system with a power-supply module removed for extended periods of time can cause the system to overheat.

NOTE: A 2700 W power supply module requires 110 V to 240 V input from an AC power source. If a power supply module is plugged into a 110 V electrical outlet, the power supply operates at 1350 W, if you select the Allow 110 VAC Operation check box in the CMC Power Configuration screen.

1. Locate the faulty power supply module and check the indicators. The power supply's AC indicator is green if AC power is available. The power supply's fault indicator is amber if the power supply is faulty. If no indicators are lit, ensure that 208 V AC power is available from the PDU and that the power cable is properly connected to the power supply module.
2. Install a new power supply.

NOTE: After installing a new power supply, allow several seconds for the system to recognize the power supply and determine whether it is working properly. The power supply DC power indicator turns green if the power supply is functioning properly.

3. If none of the power supplies show a fault LED and the blades do not power on, check the LCD display or CMC for status messages.
4. If the problem is not resolved, see [Getting Help](#).

Troubleshooting Fan Modules

NOTE: The fan modules are hot swappable. Remove and replace only one fan module at a time in a system that is turned on. Operating the system without all six fan modules for extended periods of time can cause the system to overheat.

1. Locate the faulty fan. Each fan module has indicators that identify a faulty fan.
2. Remove the fan module.
3. Examine the blades for debris. If debris is present, carefully remove it.
4. Reseat the faulty fan.
5. If none of the fans show a fault LED and the blades do not power on, check the LCD display or CMC for status messages.
6. If the problem is not resolved, install a new fan.
7. If the new fan does not operate, see [Getting Help](#).

Troubleshooting The iKVM Module

When using iDRAC video\console redirection, and you cannot see video through the iKVM when you switch to a blade running Linux, a typical cause is that a monitor or KVM appliance with a lower resolution has recently been added.

For example, a blade running X Windows under Linux is inserted and powered on. A user connects to the blade in OS GUI mode using the iDRAC and a video resolution is detected and hard-set for that session. A monitor or KVM appliance is attached to the front or rear iKVM interface on the M1000e enclosure. The monitor or the KVM appliance is configured with a resolution LOWER than the currently configured resolution in the X-Window session on the Linux blade. When you select the Linux blade using the front or rear port on the iKVM, the iDRAC circuit adopts the lower resolution of the external connected devices. The video on the lower resolution monitor or the KVM appliance is not displayed until X Windows is restarted (iDRAC video should still be viewable.)

1. From the iDRAC session, exit and re-enter GUI mode. The lower resolution is communicated and utilized.
2. Set all monitors or KVM appliances connected to the M1000e enclosure to the same resolution or higher as configured on the Linux blades in GUI mode.
3. From the lower resolution monitor (no video displayed) press <CTRL><ALT><F3> to change to the non-GUI login screen.
4. Restart X Windows to detect and utilize the lower resolution.

Troubleshooting I/O Modules

NOTE: To eliminate the possibility of a hardware problem with the module or its attaching devices, first ensure that the module is properly initialized and configured.

1. Check that you have installed the module in an I/O slot that matches its fabric type.
2. Check that the pass-through module or switch ports are cabled correctly. A given mezzanine card in a full-height blade connects to two I/O ports on the two associated I/O modules.
3. Using the "17th blade" feature of the CMC, use the Connect Switch-X command to verify that the switch is fully booted, and verify the switch's firmware revision and IP address.
4. Verify that the switch module has a valid IP address for the subnet. Verify using the ICMP ping command.
5. Check the network connector indicators on the network switch module:
 - If the link indicator displays an error condition, check all cable connections.
 - Try another connector on the external switch or hub.
 - If the activity indicator does not light, replace the network switch module.
6. Using the switch management interface, verify the switch port properties. If the switch is configured correctly, back up the switch configuration and replace the switch. See the switch module documentation for details.
7. If the blade requires a mezzanine card for a particular network switch module, ensure that the appropriate mezzanine card is installed. If so, reseat the mezzanine card. If the network link indicator on the blade is green, then the blade has a valid link to the appropriate network switch module.
8. Ensure that the appropriate operating system drivers are installed and that the protocol settings are configured to ensure proper communication.

Technical Specifications

Table 17. Enclosure Specifications

Physical

Height	44.0 cm (17.3 inch)
Width	44.7 cm (17.6 inch)
Depth	75.5 cm (29.7 inch)
Weight (maximum)	200.5 kg (442 lb)
Weight (empty)	44.6 kg (98.1 lb)

Table 18. Power Supply Module

Power Supply Module

AC/DC power supply (per power supply module) (2700 W)

Wattage	2700 W
Connector	IEC C20
Heat dissipation	1205 BTU/hr (maximum)
Maximum inrush current	Under typical line conditions and over the entire system ambient operating range, the inrush current may reach 55 A per power supply for 10 ms or less.

AC/DC power supply (per power supply module) (3000 W)

Wattage	3000 W
Connector	IEC 320
Heat dissipation	1200 BTU/hr (maximum)

NOTE: Heat dissipation is calculated using the power supply wattage rating.

Maximum inrush current	Under typical line conditions and over the entire system ambient operating range, the inrush current may reach 55 A per power supply for 10 ms or less.
------------------------	---

System voltage requirements

16 A, 200 V AC to 240 V AC, 50 Hz/60 Hz (3000 W power supply)

NOTE: This system is also designed to be connected to IT power systems with a phase to phase voltage not exceeding 230 V.

16 A, 100 V AC to 240 V AC, 50 Hz/60 Hz (2700 W power supply)

DC/DC power supply (per power supply)

Wattage	2700 W
Connector	Molex # 394260002 at PSU end, mating connector Molex # 39422-0012
Heat dissipation	1205 BTU/hr (maximum)
Maximum inrush current	Under typical input voltage conditions and over the entire system ambient operating range, the inrush current may reach 120 A per power supply for 10 ms or less.
System voltage requirements	75 A, 48 V DC to 60 V DC

Table 19. Optional Avocent iKVM Module

Optional Avocent iKVM Module

Externally accessible connectors	
USB	Two 4-pin, USB 2.0-compliant connectors for keyboard and mouse support
ACI port	RJ-45
Video	15-pin VGA

Table 20. Chassis Management Controller Module

Chassis Management Controller Module

Externally accessible connectors	
Remote management	Two dedicated 10/100/1000 Mb RJ-45 (for integrated Ethernet remote access controller). Gb port connects to the external management network. STK port allows CMCs in adjacent enclosures to be daisy chained.
Serial	9-pin, DTE, 16550-compatible
Video	15-pin VGA
Battery	CR 2032 3.0-V Lithium ion coin cell

Table 21. Enclosure Control Panel

Enclosure Control Panel

Externally accessible connectors	
USB	Two 4-pin, USB 2.0-compliant connectors for keyboard and mouse support
Video	15-pin VGA
LCD panel features	Four cursor control keys, one select key, LCD screen

Table 22. I/O Module Specifications

Cisco Nexus B22 Fabric Extender Module

Externally accessible connectors	Sixteen 10 Gb (internal) Ethernet ports and Eight 10 Gigabit Ethernet SFP+ ports that support 10Gbase-SR, 10Gbase-LR, and 10Gbase-ER fabric connections.
----------------------------------	--

Table 23. Environmental Specifications

Environmental

NOTE: For additional information about environmental measurements for specific system configurations, see dell.com/environmental_datasheets.

Standard Operating Temperature	Continuous operation: 10 °C to 35 °C at 10% to 80% relative humidity (RH), with 26 °C max dew point. De-rate maximum allowable dry bulb temperature at 1 °C per 300 m above 900 m (1 °F per 550 ft).
--------------------------------	--

Expanded Operating Temperature

NOTE: When operating in the expanded temperature range, system performance may be impacted.

NOTE: When operating in the expanded temperature range, ambient temperature warnings may be reported on the LCD and in the System Event Log.

≤ 10% of annual operating hours

5 °C to 40 °C at 5% to 85% RH with 26 °C dew point.

≤ 1% of annual operating hours

Expanded Operating Temperature Restrictions

Storage Temperature

NOTE: Outside the standard operating temperature (10 °C to 35 °C), the system can operate down to 5 °C or up to 40 °C for a maximum of 10% of its annual operating hours.

For temperatures between 35 °C and 40 °C, de-rate maximum allowable dry bulb temperature by 1 °C per 175 m above 950 m (1 °F per 319 ft).

–5 °C to 45 °C at 5% to 90% RH with 26 °C dew point.

NOTE: Outside the standard operating temperature (10 °C to 35 °C), the system can operate down to –5 °C or up to 45 °C for a maximum of 1% of its annual operating hours.

For temperatures between 40 °C and 45 °C, de-rate maximum allowable dry bulb temperature by 1 °C per 125 m above 950 m (1 °F per 228 ft).

- Install blades that fulfill the requirements for expanded operating temperature range.

NOTE: For more information on the blade-specific restrictions for the expanded operating temperature range, see the technical specifications in the blade's *Owner's Manual* at dell.com/support/manuals.

- 2700 W power supplies are supported as per the power supply rated capacity.
- 3000 W power supplies are supported with a capacity of 2800 W per power supply.
- Install fans of the following ratings:
 - 12 V, 5.0 A
 - 12 V, 6.30 A
- Only the following I/O modules are supported:
 - Brocade M5424 FC8 I/O module
 - Dell M8428-k 10 Gb converged network switch
 - Cisco 1 GE 3130X-s switch
 - Mellanox M3601Q DDR/QDR switch
 - Dell PowerConnect M8024-k switch
 - Dell PowerConnect M6220 Ethernet switch I/O module
 - Dell PowerConnect M8024 10 Gb Ethernet switch I/O module

–40 °C to 65 °C (–40 °F to 149 °F) with a maximum temperature gradation of 20 °C per hour.

Getting help

Topics:

- [Contacting Dell EMC](#)
- [Quick Resource Locator](#)
- [Documentation Feedback](#)

Contacting Dell EMC

Dell EMC provides several online and telephone based support and service options. If you do not have an active internet connection, you can find contact information about your purchase invoice, packing slip, bill, or Dell EMC product catalog. Availability varies by country and product, and some services may not be available in your area. To contact Dell EMC for sales, technical assistance, or customer service issues:

1. Go to www.dell.com/support/home.
2. Select your country from the drop-down menu on the lower right corner of the page.
3. For customized support:
 - a) Enter your system Service Tag in the **Enter your Service Tag** field.
 - b) Click **Submit**.
The support page that lists the various support categories is displayed.
4. For general support:
 - a) Select your product category.
 - b) Select your product segment.
 - c) Select your product.
The support page that lists the various support categories is displayed.
5. For contact details of Dell EMC Global Technical Support:
 - a) Click [Global Technical Support](#).
 - b) The **Contact Technical Support** page is displayed with details to call, chat, or e-mail the Dell EMC Global Technical Support team.

Quick Resource Locator

Use the Quick Resource Locator (QRL) to get immediate access to system information and how-to videos. This can be done by visiting dell.com/QRL or by scanning a model specific QR code located on your Dell PowerEdge system using your smartphone. You can also access your system information and how-to videos by scanning the following QR code.



Figure 54. Quick Resource Locator

Documentation Feedback

If you have feedback for this document, write to documentation_feedback@dell.com. Alternatively, you can click on the Feedback link in any of the Dell documentation pages, fill up the form, and click **Submit** to send your feedback.