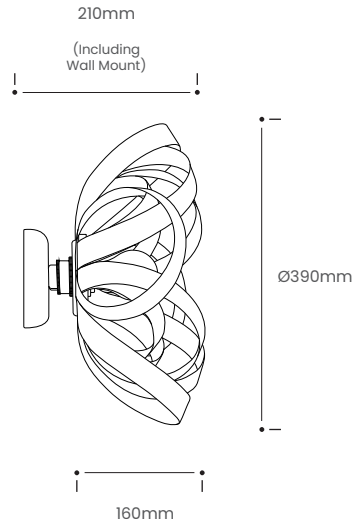


# SKIPPER SMALL WALL LIGHT






Product Specification

Tom Raffield

Skipper Small Wall Light



Scandinavian design principles and our sought-after aesthetic, merged. A unique wall light design that celebrates natural materials and handcrafted skill, the Skipper Wall Light is created from sixteen individual, sustainably sourced ash, oak or walnut wood petals and designed to produce golden light and eye-catching shadow effects in equal measure.

Product Type : Wall Light	SKU	Wood types	Dimensions L x W x H (mm)		Weight (kg)	
			Unboxed	Boxed	Unboxed	Boxed
Skipper Small Wall Light	TR-SKIP-WL-A-SML	Ash	Ø390 x 160 Ø390 x 210 with mount	470 x 470 x 330	0.2	2.5
	TR-SKIP-WL-O-SML	Oak				
	TR-SKIP-WL-W-SML	Walnut				
Materials	Ash 	Oak 	Walnut 	Other materials Birch ply frame 		
Finish	Non-toxic, hard wearing water based varnish - satin					
Ceiling kit options	Brushed steel rose and bulb holder 	Wall kit	Flex		Recommended light bulb	
		Rose: Ø100mm	-		Max 25W LED	
		E27 (240v)	-			
Care information	Dusting your light regularly and with a light feather duster should keep your light looking clean, otherwise wipe with a damp cloth and remove any moisture with a dry cloth. Gentle furniture polishes can also be used.					
Additional information	Installation instructions included.					

Tom Raffield Ltd, F3 Church View Business Park, Bickland Water Rd, Falmouth TR11 4FZ, UK  
 tomraffield.com contact@tomraffield.com +44 (0) 1326 722725 #tomraffield @tomraffield

Due to the character of handcrafted natural products, all dimensions are approximate. Wood colour may slightly vary.  
 All products, prices and leadtimes are correct at time of print and are subject to change without notice.