

- Ages 3+
- Max rider weight 99 lbs / 45 kgs
- Adult assembly required
- Close adult supervision

AN IMPORTANT MESSAGE TO PARENTS

This manual contains extremely important safety information. For your child's safety, it is your responsibility to completely review this information with your child and make sure you instruct your child to follow all warnings, cautions, instructions and safety topics so that all riders are able to safely and responsibly use this scooter. All children and preteens should ride with adult supervision at all times. Retrospec recommends that you periodically review and reinforce all the information in this manual with all riders, and that you inspect and maintain your scooter to insure their safety.

GENERAL WARNING

Riding a scooter can be a dangerous activity. Certain conditions may cause components to fail without fault of the manufacturer. Scooters can, and are intended to move, and it is therefore possible to lose control, fall off and/or get into dangerous situations that no amount of care, instruction or expertise can eliminate. If such a thing does occur you can become seriously injured or die. LIKE ANY OTHER MOVING PRODUCT, USING A SCOOTER CAN BE A DANGEROUS ACTIVITY AND MAY RESULT IN INJURY OR DEATH EVEN WHEN USED WITH PROPER SAFETY PRECAUTIONS. USE AT YOUR OWN RISK AND USE COMMON SENSE.

WARNINGS

- Ages 3+ only.
- Do not exceed weight limit indicated on the package: Max rider weight 99 lbs / 45kgs.
- Rider weight does not necessarily mean a child's size is appropriate to fit or maintain control on this scooter.
- Read and understand the enclosed owner's manual and all other literature before riding this product.
- Always wear safety equipment, such as helmet, knee pads, and elbow pads when riding your scooter and keep helmet's chinstrap securely buckled. Always wear closed-toe shoes.
- Ride on smooth, paved surfaces away from motor vehicles.
- Avoid sharp bumps, drainage grates, and sudden surface changes which could cause scooter to suddenly stop.
- Avoid streets and surfaces with water, sand, gravel, dirt, leaves, and other debris. Wet weather impairs traction, braking, and visibility.
- Do not ride at night.
- Avoid excessive speed associated with downhill rides.
- Obey all local traffic and scooter riding laws and regulations. Check local laws and regulations.
- Watch out for pedestrians.
- Check and secure all fasteners before every ride.
- Replace all worn and broken parts immediately.
- To help reduce the risk of injury, adult supervision is required.
- A parent's decision to allow his or her child to ride this product should be based on the child's skill, maturity, and ability.
- Watch out for obstacles that could catch your wheel or force you to turn suddenly or lose control.
- Be careful to avoid pedestrians, other wheeled products (such as skaters, skateboarders, scooters, bikes, etc.) and children or animals that may enter your path.
- Never use in roadways, near motor vehicles, or on or near steep inclines or steps, swimming pools or other bodies of water.

WARNING

Always wear protective gear including helmet, wrist guards, elbow and knee pads.

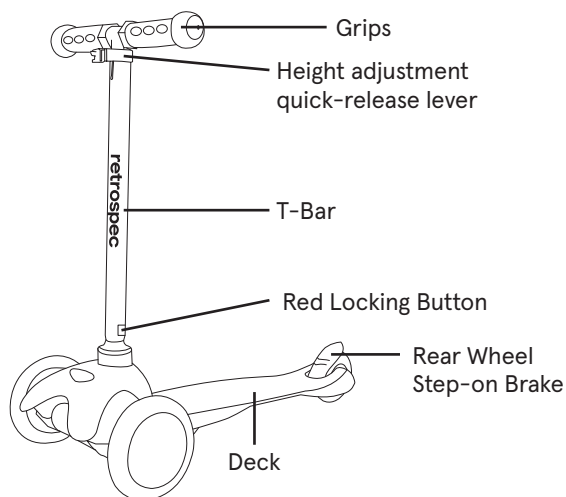
WARNING

CHOKING HAZARD – Small parts, not for children under 3 years of age.

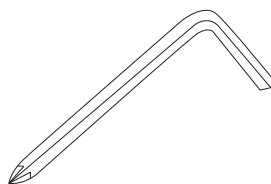
OWNER'S MANUAL - ASSEMBLY INSTRUCTIONS CHIPMUNK - KICK SCOOTER

⚠ WARNING

- Read and understand this entire manual BEFORE allowing child to use this product.
- Keep this manual for your records, it contains important information.
- For ages 3+ years, max. rider weight 99 lbs / 45 kgs.
- Adult assembly required.

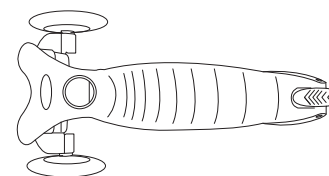


TOOLS

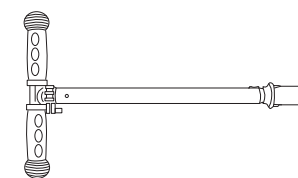


x1
Hex Key
(Included)

PARTS



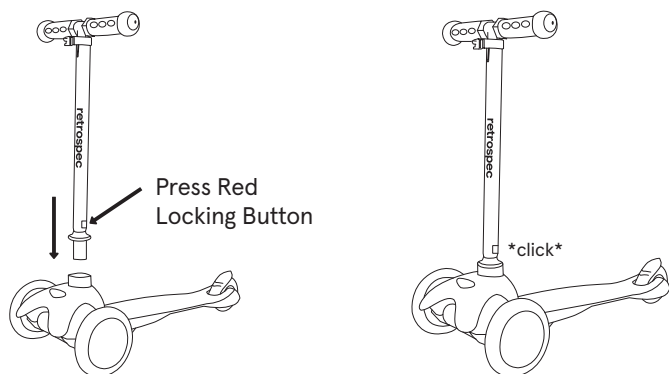
x1
Main Body



x1
Handlebar/Mast

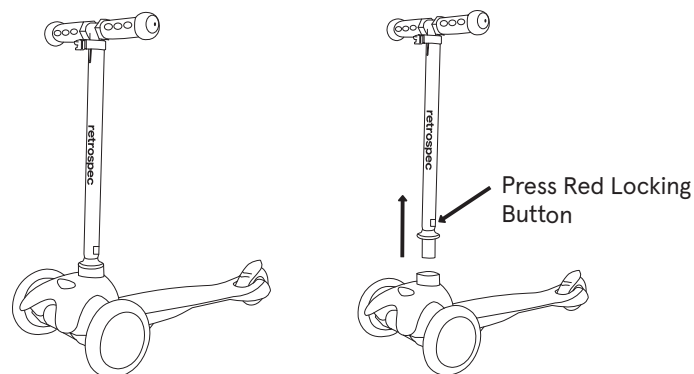
ASSEMBLY - Handlebar/Steering Mast

While pressing Red Locking Button, insert Handlebar/steering Mast into scooter Body/deck Mounting Hole - flat side facing rider/Retrospec logo facing forward. Insert Mast until you hear a click indicating the mast is locked into the scooter body. Some force may be required.



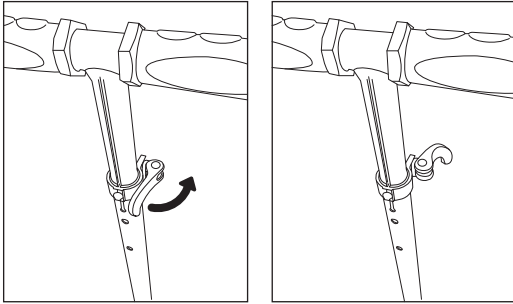
DISASSEMBLY - Transport/Storage

Reverse procedure. Locate Red Locking Button on side of the scooter behind front wheels. Press Red Locking Button while pulling Mast with other hand. Watch-out for those near you - keep them away. Some force may be required as Mast is held securely in place for safe riding.



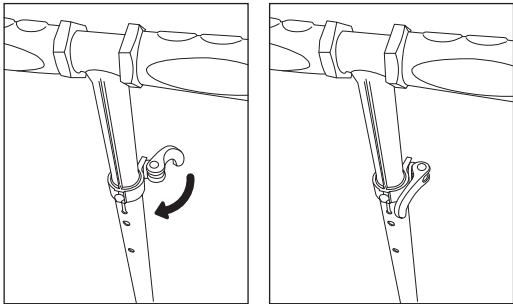
ADJUSTMENT

- 1 Open handlebar Quick Release Lever by pulling it away from the handlebar assembly.

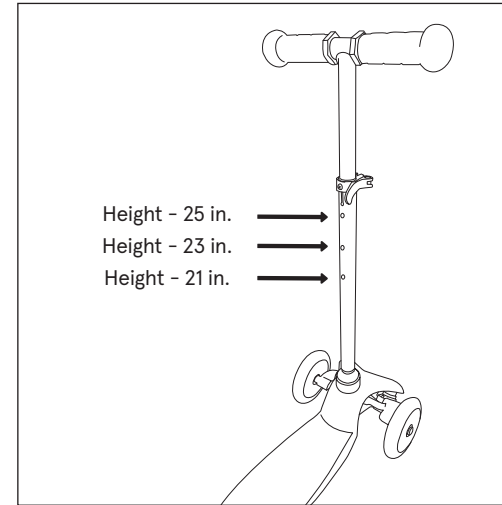


- 3 Lock close the Quick-Release Lever tightly against the handlebar assembly.

The lever should begin to offer resistance at about the half-way point in its travel. The lever should require some force to close. If it closes too easily, or if the effort to close the clamp is too great, adjust the clamping force by loosening or tightening the adjusting nut on the opposite side of the lever.



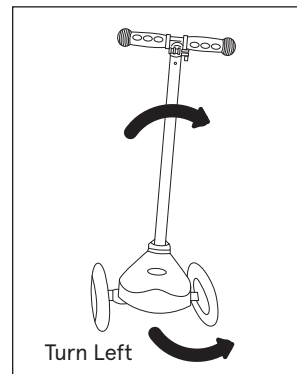
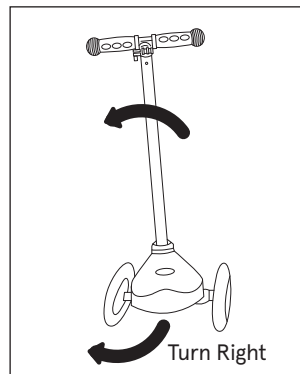
- 2 Slide T-Bar upwards to one of the three Lock-Button hole positions. Make sure Lock-Button fully engages into the desired Lock-Hole.



RIDING

Grasp the grips with both hands. Place one foot on the deck and push with the other foot. Once you are moving, position both feet on the deck approximately at 45° angle to direction of travel.

To turn, lean in the direction you would like to go. Lean right to turn right, lean left to turn left.



BRAKING

Step onto the foot brake over the rear wheel to slow or stop. It is recommended you practice applying the brake at various speeds and in an open, flat area free from obstructions. Attention: The brake plate/rear wheel fender can become very hot.

⚠ WARNING

Do not attempt stunts, tricks, jumps, grinds, or riding backwards – it is not designed for stunt riding and such riding risks losing control of the scooter.

MAINTENANCE

With time, the wheels will wear down or can become damaged, especially when used on rough surfaces. The rear wheel(s), where the brake applies pressure, can be particularly affected. Check your wheels regularly for signs of wear. Replace if necessary. Retrospec recommends you use a qualified repair facility.

CARE

Clean, wipe with a damp cloth. Do not use industrial cleaners, solvents, alcohol or ammonia-based cleaners – they may damage surfaces and plastic parts. Get in the habit of inspecting your scooter on a regular basis and before every ride.

RETROSPEC LIMITED WARRANTY

The manufacturer warrants this product to be free of manufacturing defects for a period of 90 days from the date of purchase. This Limited Warranty does not cover normal wear and tear, or any damage, failure or loss caused by improper assembly, maintenance, or storage.

This Limited Warranty will be void if the product is ever used in a manner other than for recreation, modified in any way, or used as a rental.

Retrospec does not offer an extended warranty. If you have purchased an extended warranty, it must be honored by the store at which it was purchased.

The manufacturer is not liable for incidental or consequential loss or damage due directly or indirectly to the use of this product. For your records, save your original sales receipt with this manual.

RIDE AT YOUR OWN RISK AND WITH APPROPRIATE AND SERIOUS ATTENTION TO SAFE OPERATION. USE CAUTION AND COMMON SENSE.