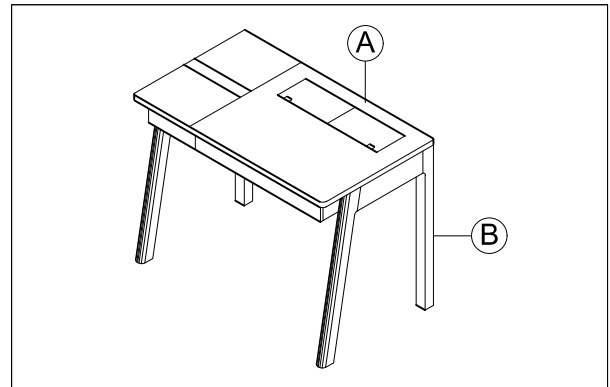


KARPENTER

Designed by Us Defined by Nature

ASSEMBLING INSTRUCTION



DESK TABLE

Pre Assembly :

- Please read all instructions before beginning assembly
- Place all parts on a carpet or foam in shipping box. Find the letter (A,B,C,...) on each part and check with below part list to ensure we have all components.
- Save all packing materials until assembly is complete to avoid accidentally discarding smaller parts or hardware.
- This cart requires one people to do assembly.

Parts Included :

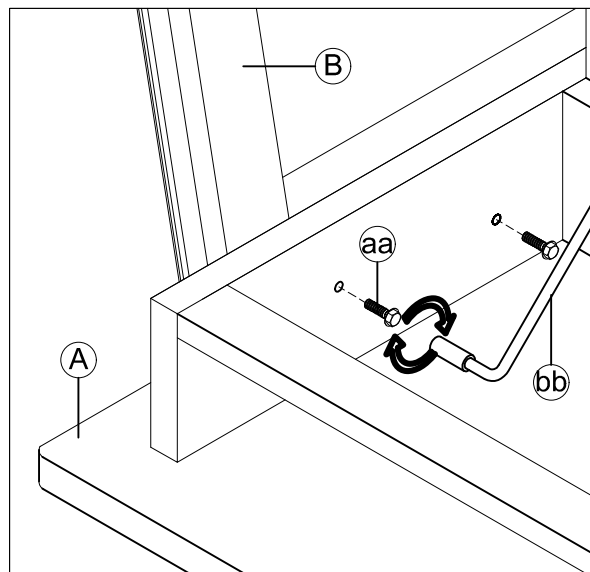
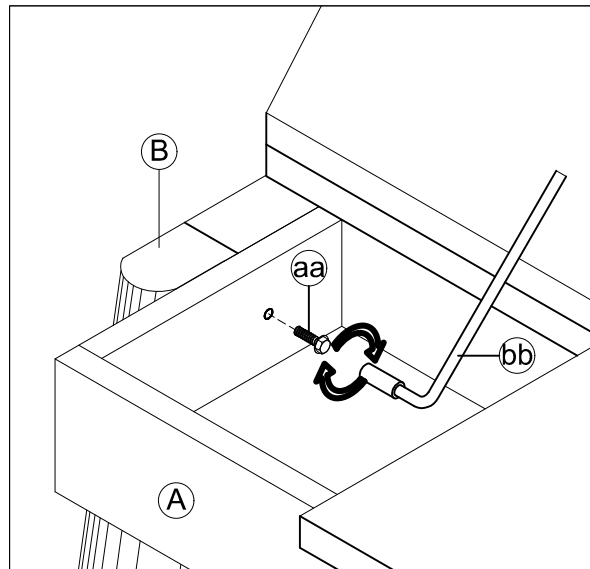
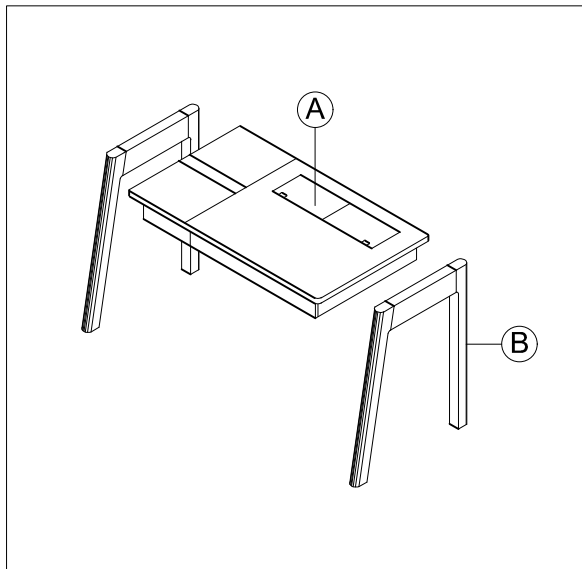
A - Top - 1 pc	B - Leg - 2 pcs
A line drawing of the desk top, showing a rectangular frame with a central cutout and a small rectangular piece attached to the top edge.	A line drawing of a single leg, which is a rectangular frame with a vertical post and a horizontal base.

Hardware Enclosed :

aa - Hexagonal Bolt - 6 pcs	bb - Key Shock - 1 pc
A line drawing of a hexagonal bolt with a threaded shaft and a hexagonal head.	A line drawing of a key shock, which is a long, thin metal rod with a hook-like end.

Assembly Instructions :

1. Lay all components (A, B, C,...) onto clean smooth surface as carpet or cardboard.
2. Attach Leg (B) to the Top (A). Secured by Hexagonal Bolt (aa) from inside the table and under the table. Tighten by using Key Shock (bb).
Assembly is completed



Care Instructions :

- Hardware may loosen over time. Periodically check to make sure all components are tight. Re-tighten if necessary.
- Dust with soft dry cloth.
- Avoid abrasive cleaners. If a cleaner is needed, use a mild-cleaner spray and blot with an absorbent cloth.
- For indoor use only.