

# KARPENTER

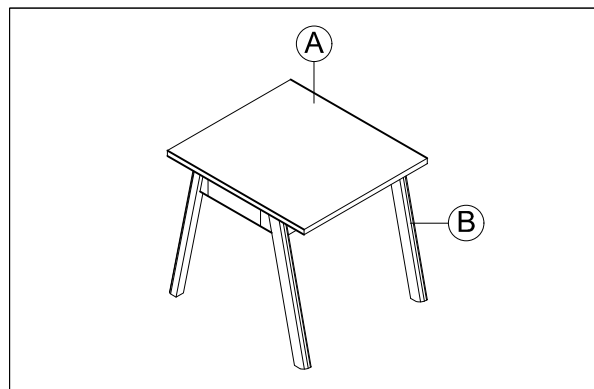
Designed by Us Defined by Nature

## ASSEMBLING INSTRUCTION

### DINING TABLE

#### Pre Assembly :

- Please read all instructions before beginning assembly
- Place all parts on a carpet or foam in shipping box. Find the letter (A,B,C,...) on each part and check with below part list to ensure we have all components.
- Save all packing materials until assembly is complete to avoid accidentally discarding smaller parts or hardware.
- This cart requires one people to do assembly.



#### Parts Included :

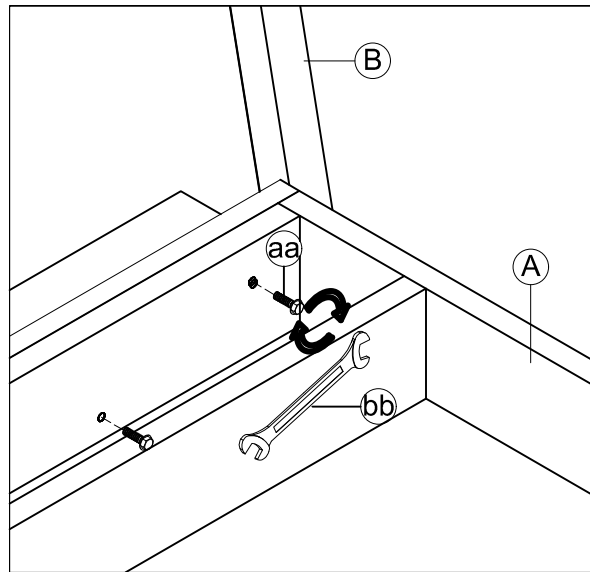
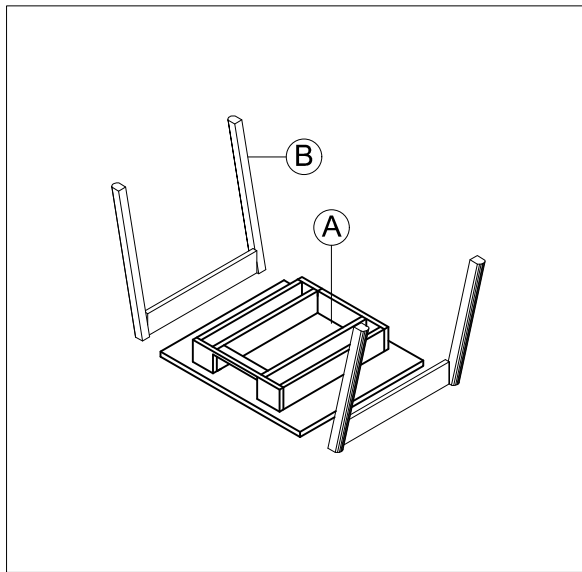
A - Top - 1 pc	B - Leg - 2 pcs
A line drawing of a square table top with a recessed center and a raised border.	A line drawing of a single leg, which is an L-shaped piece with a vertical section and a horizontal section.

#### Hardware Enclosed :

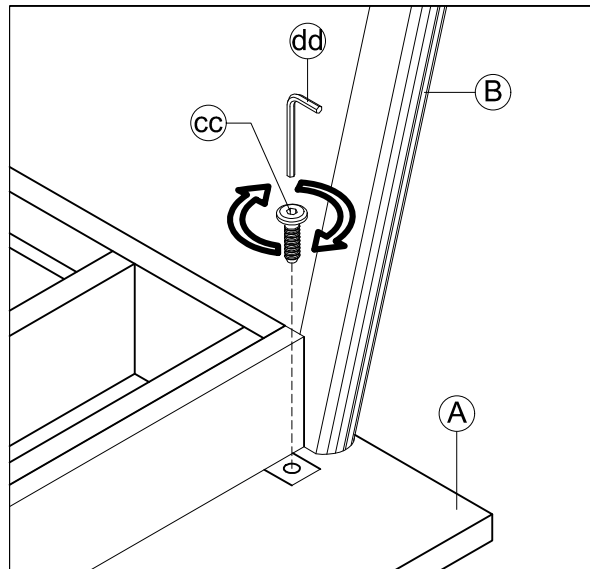
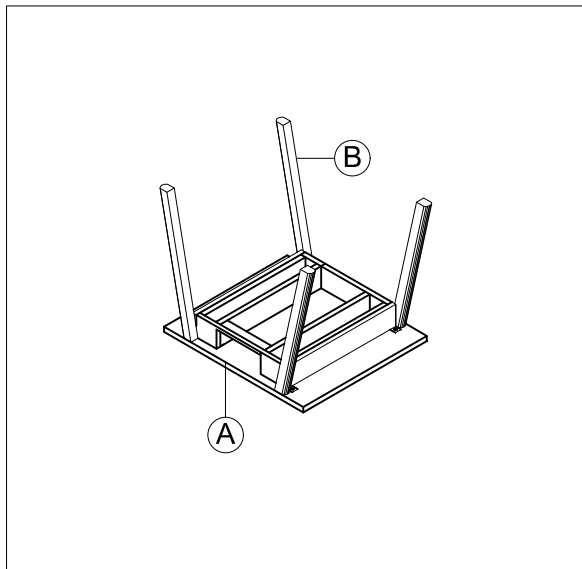
aa - Hexagonal Bolt - 6 pcs A line drawing of a hexagonal bolt with a hexagonal head and a threaded shaft.	bb - Wrench - 1 pc A line drawing of an open-end wrench.
cc - JCBC Bolt - 4 pcs A line drawing of a JCBC bolt, which has a hexagonal head with a central hole and a threaded shaft.	dd - Allen Key - 1 pc A line drawing of an Allen key, which is a long, thin L-shaped tool.

**Assembly Instructions :**

1. Lay all components (A, B, C,...) onto clean smooth surface as carpet or cardboard.
2. Attach Leg (B) to the Top (A). Secured by Hexagonal Bolt (aa) Tighten by using Wrench (bb).



2. Fix Metal Support. Secured by JCBC Bolt (cc). Tighten by using Allen Key (dd)  
Turn up the table. Assembly is completed



**Care Instructions :**

- Hardware may loosen over time. Periodically check to make sure all components are tight. Re-tighten if necessary.
- Dust with soft dry cloth.
- Avoid abrasive cleaners. If a cleaner is needed, use a mild-cleaner spray and blot with an absorbent cloth.
- For indoor use only.