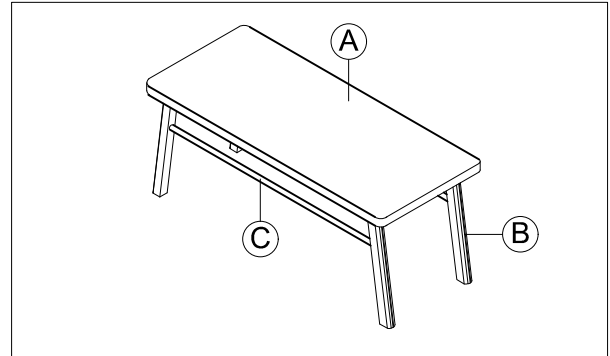


KARPENTER

Designed by Us Defined by Nature

ASSEMBLING INSTRUCTION

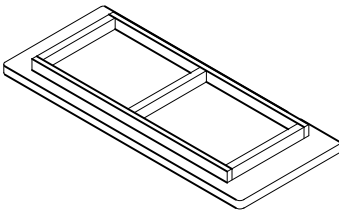
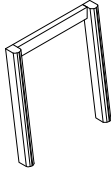
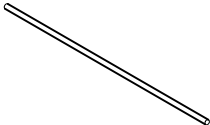


BENCH

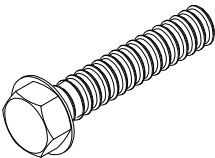
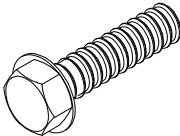
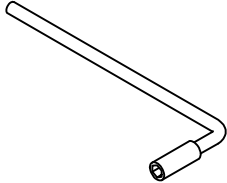
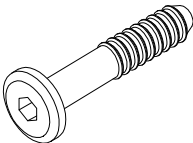
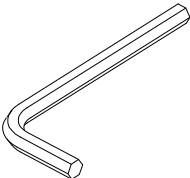
Pre Assembly :

- Please read all instructions before beginning assembly
- Place all parts on a carpet or foam in shipping box. Find the letter (A,B,C,...) on each part and check with below part list to ensure we have all components.
- Save all packing materials until assembly is complete to avoid accidentally discarding smaller parts or hardware.
- This cart requires one people to do assembly.

Parts Included :

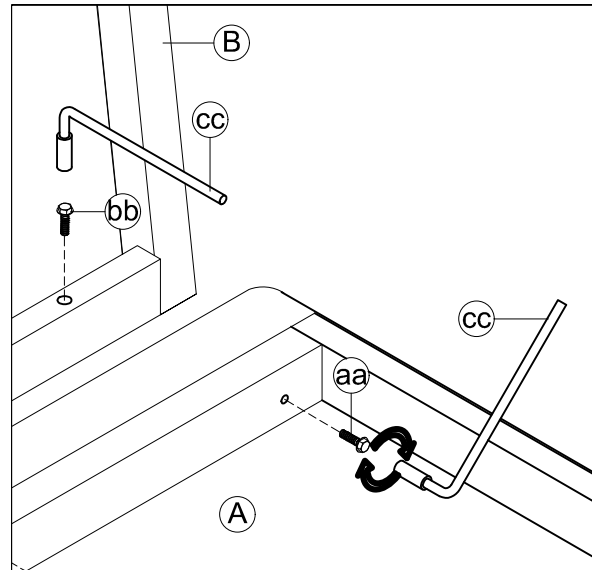
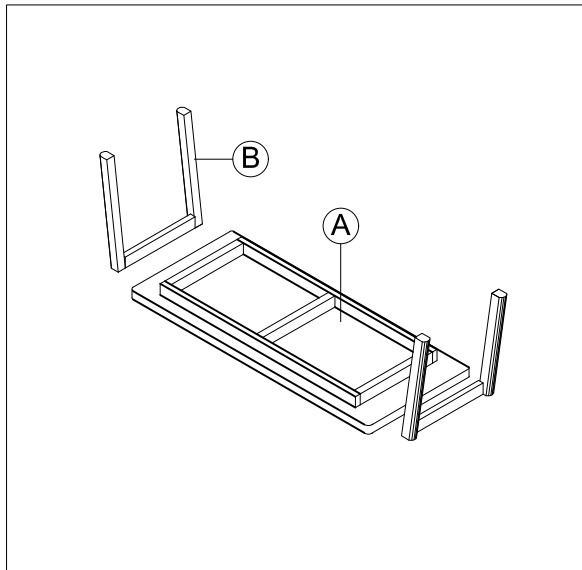
A - Top - 1 pc	B - Leg - 2 pcs	B - Stretcher - 2 pcs
		

Hardware Enclosed :

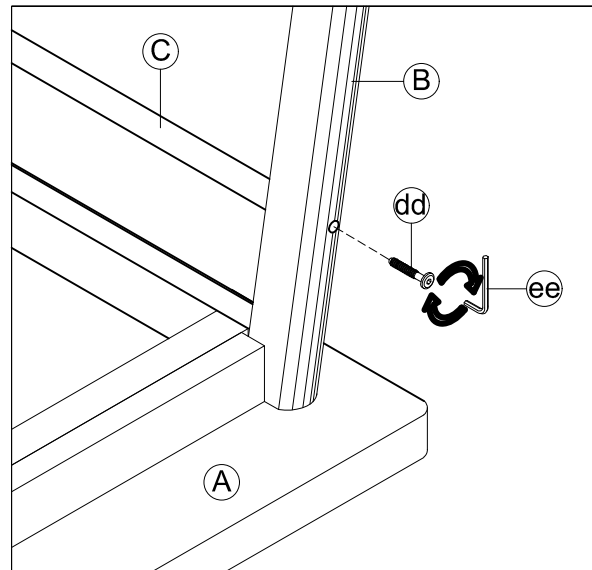
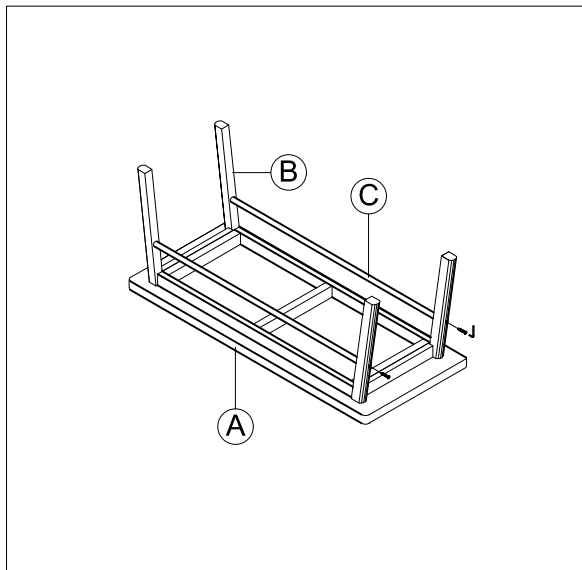
aa - Long Bolt - 4 pcs 	bb - Short Bolt - 4 pcs 	cc - Key Shock - 1 pc 
dd - JCBC Bolt - 4 pcs 	ee - Allen Key - 1 pc 	

Assembly Instructions :

1. Lay all components (A, B, C,...) onto clean smooth surface as carpet or cardboard.
2. Attach Leg (B) to the Top (A). Please carefully note
 - 2.1. Frame to the Leg, secured by Long Bolt (aa). Tighten by using Key Shock (cc)
 - 2.2. Leg to the Top, secured by Short Bolt (bb). Tighten by using Key Shock (cc)



3. Attach Stretcher (C) to the Leg (B), secured by JCBC Bolt (dd). Tighten by using Allen Key (ee)
Turn up the bench. Assembly is completed



Care Instructions :

- Hardware may loosen over time. Periodically check to make sure all components are tight. Re-tighten if necessary.
- Dust with soft dry cloth.
- Avoid abrasive cleaners. If a cleaner is needed, use a mild-cleaner spray and blot with an absorbent cloth.
- For indoor use only.