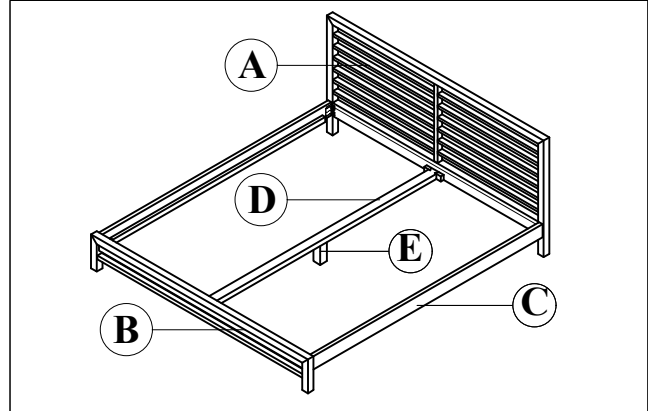


ASSEMBLING INSTRUCTION

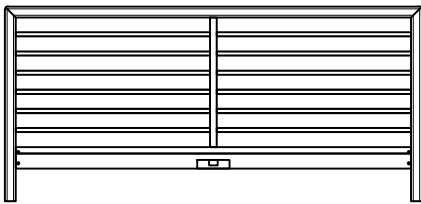
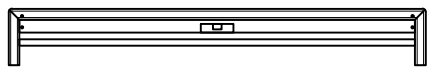
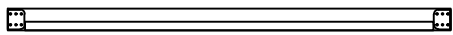
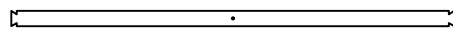
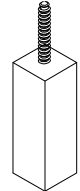
BED

Pre Assembly :

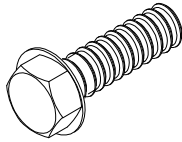
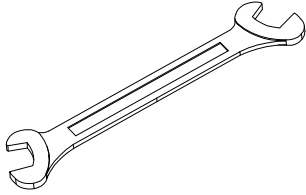
- Please read all instructions before beginning assembly
- Place all parts on a carpet or foam in shipping box. Find the letter (A,B,C,...) or the number (1,2,3,...) on each part and check with below part list to ensure we have all components.
- Save all packing materials until assembly is complete to avoid accidentally discarding smaller parts or hardware.
- This cart requires one people to do assembly.



Parts Included :

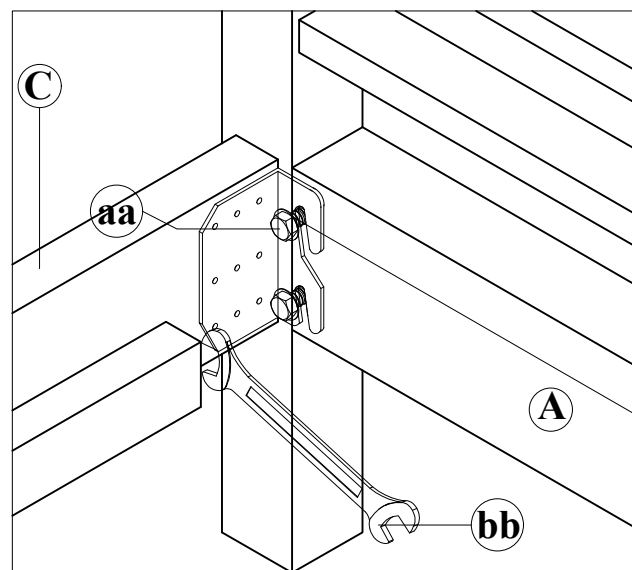
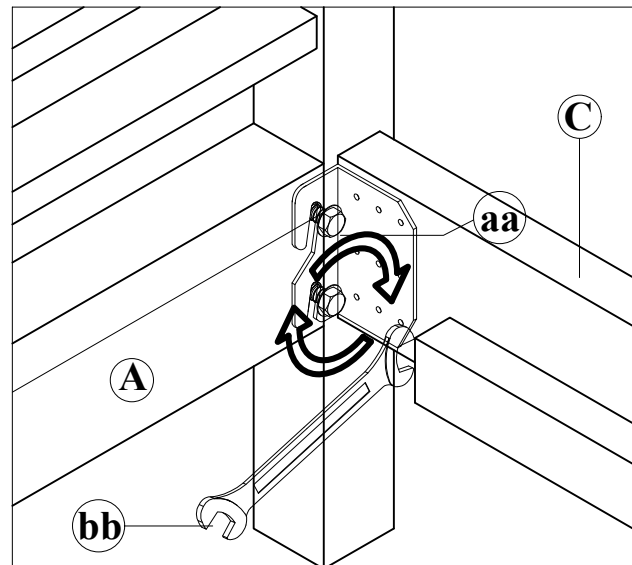
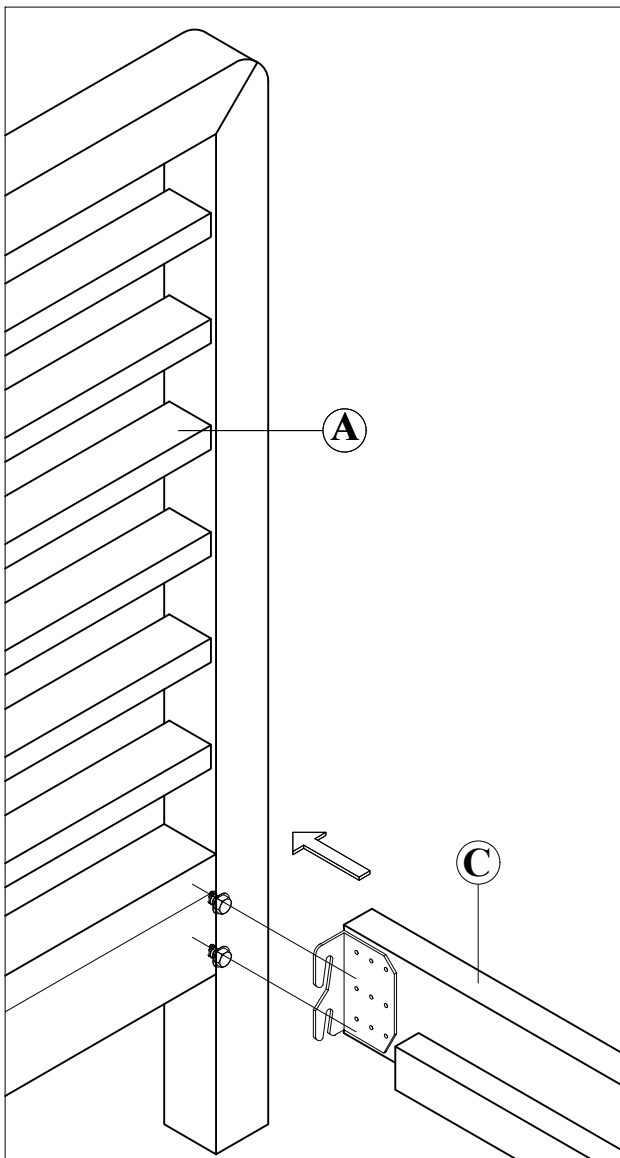
<p>A - Headboard - 1 pc</p> 	<p>B - Footboard - 1 pc</p> 
<p>C - Side Rail - 2 pcs</p> 	<p>D - Center Rail - 1 pc</p> 
<p>E - Extra Leg - 1 pc</p> 	

Hardware Enclosed :

aa - Hexagonal bolts - 8 pcs	bb - Wrench - 1 pc
	

Assembly Instructions :

1. Lay all components (A, B, C,...) onto clean smooth surface as carpet or cardboard.
2. Attach Side Rail (C) to the Headboard (A).
 - 2.1. Please carefully note all letter or number at component that indicates homing destination as not to misplace components.
 - 2.2. Please hang the brackets to the Hexagonal bolts (aa) and leave bolts a little bit loosen (see below diagram).



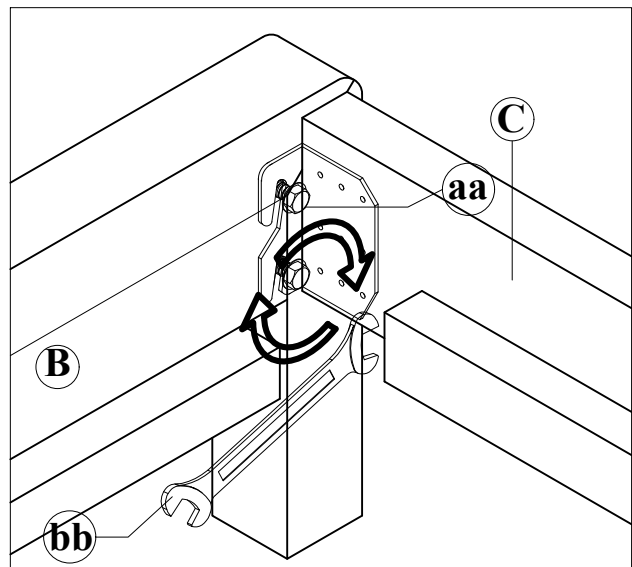
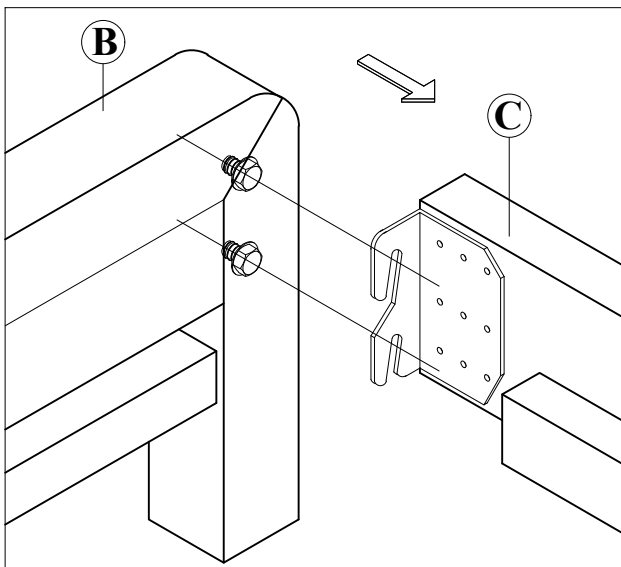
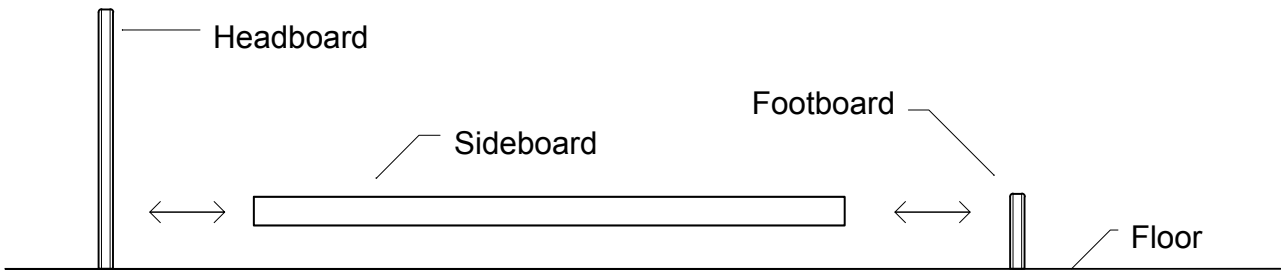
3. Attach Footboard (B) to the Side Rail (C).

3.1. Please note the indicating letter for homing guidance.

3.2. Position the Side Rail (C) aligned / straight with the Footboard (B) and the Headboard (A).

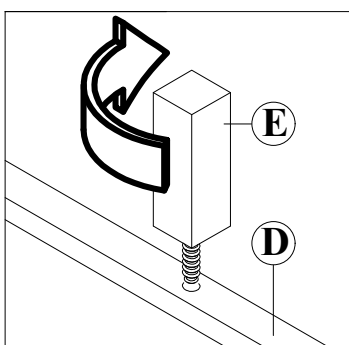
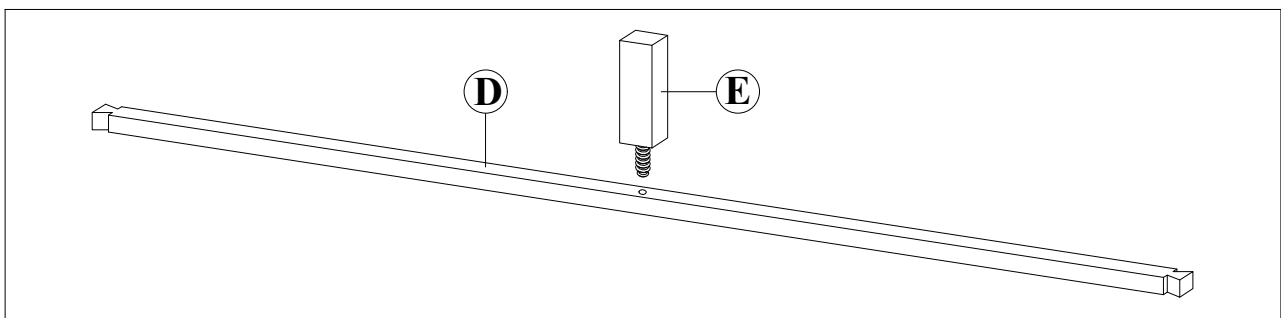
3.3. Make sure the bracket is aligned with the Hexagonal bolts (aa).

3.4. Hang the bracket to the Hexagonal bolts (aa), leave bolts a little bit loosen.

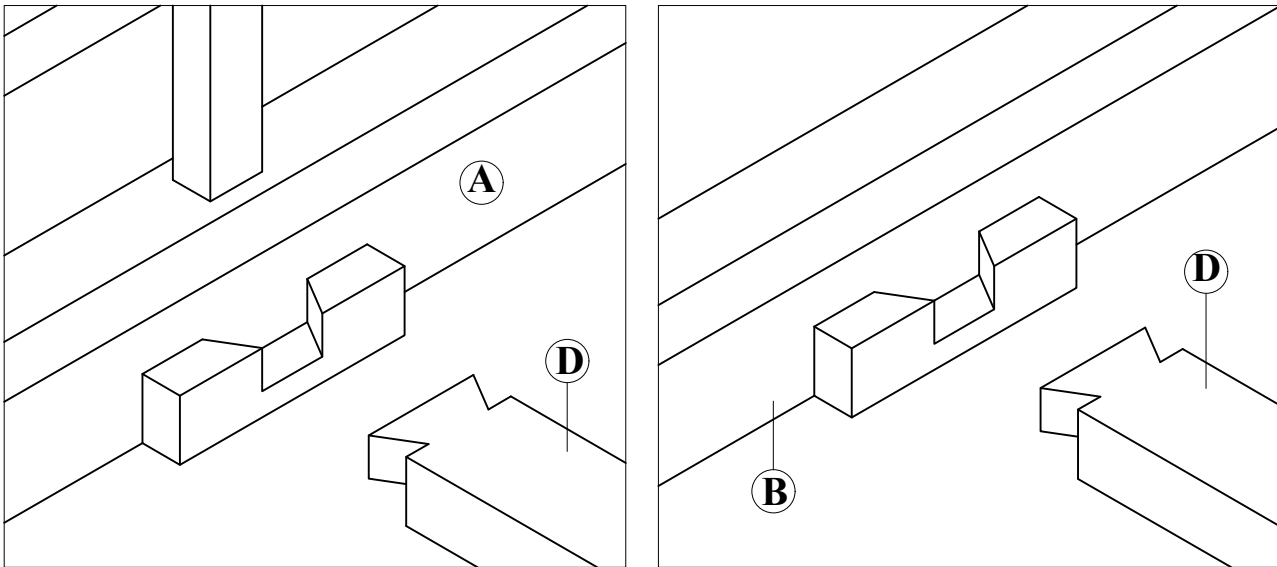


4. Make sure to tighten all bolts by using Wrench (bb).

5. Attach Extra Leg (E) to the Center Rail (D). See diagram below



6. Attach Center Rail (D) with Extra Leg (E) to bed. Please DO NOT attach Center Rail (D) without first securing Extra Leg (E) to the whole body otherwise Center Rail (D) can break.



ASSEMBLY IS COMPLETED

Care Instructions :

Hardware may loosen over time. Periodically check to make sure all components are tight.
Re-tighten if necessary.
Dust with soft dry cloth.
Avoid abrasive cleaners. If a cleaner is needed, use a mild-cleaner spray and blot with an absorbent cloth.
For indoor use only.