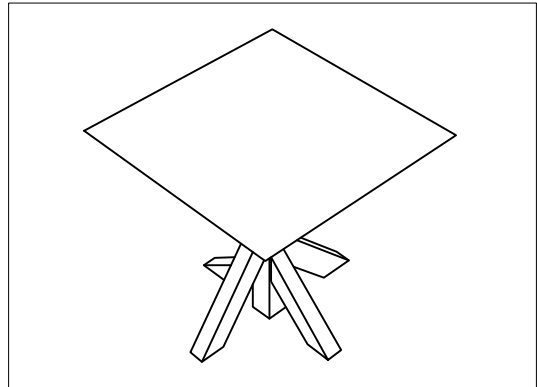


# KARPENTER

Designed by Us Defined by Nature

## ASSEMBLING INSTRUCTION

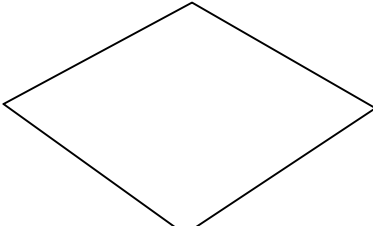
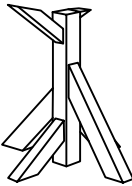
### DINING TABLE



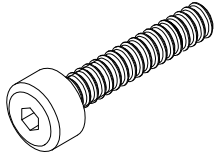
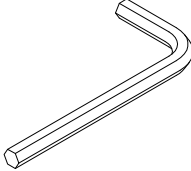
#### Pre Assembly :

- Please read all instructions before beginning assembly
- Place all parts on a carpet or foam in shipping box. Find the letter (A,B,C,...) or number (1,2,3,...) on each part and check with below part list to ensure we have all components.
- Save all packing materials until assembly is complete to avoid accidentally discarding smaller parts or hardware.
- This cart requires one people to do assembly.

#### Parts Included :

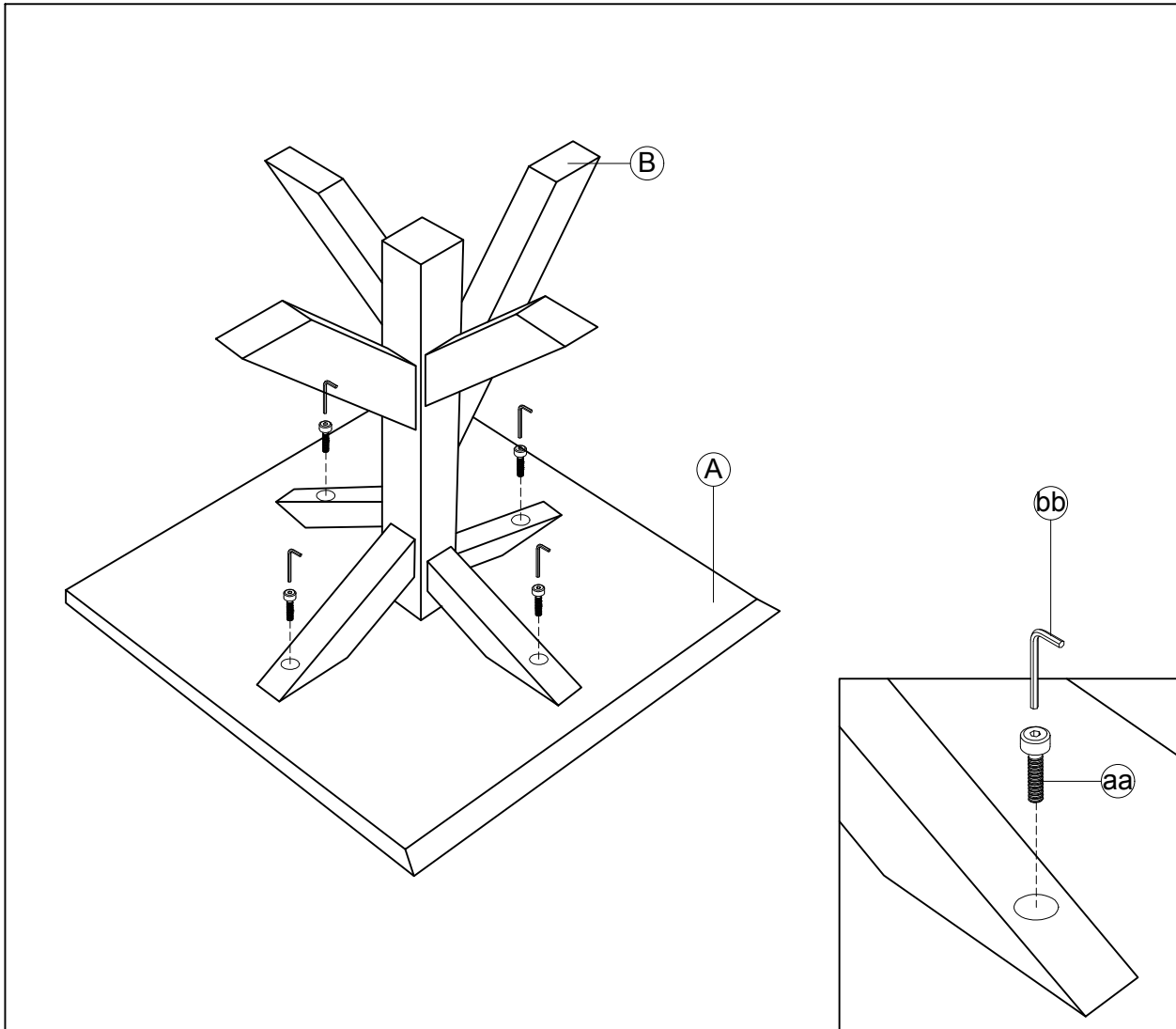
A - Top - 1 pc	B - Base - 1 pc
	

#### Hardware Enclosed:

aa - Bolt - 4 pcs	bb - Allen Key - 1 pc
	

### Assembly Instructions :

1. Lay all parts onto clean smooth surface as carpet or cardboard.
2. Attach Base (B) to the Top (A)
3. Fix Bolt (aa). Tighten by Allen Key (bb)
4. Turn up the Table. Assembly is completed.



### Care Instructions :

- Hardware may loosen over time. Periodically check to make sure all components are tight. Re-tighten if necessary.
- Dust with soft dry cloth.
- Avoid abrasive cleaners. If a cleaner is needed, use a mild-cleaner spray and blot with an absorbent cloth.
- For indoor use only.