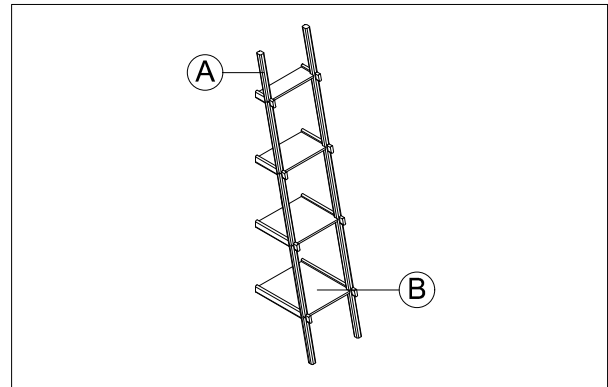


ASSEMBLING INSTRUCTION


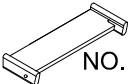
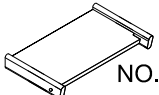
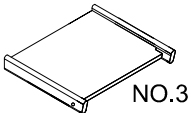
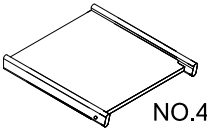
RACK

Pre Assembly :

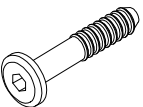
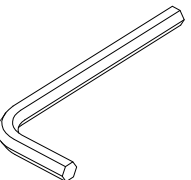
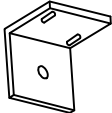
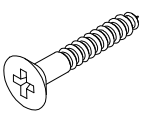
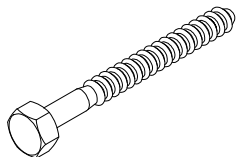
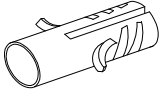


- Please read all instructions from the beginning.
- Place all parts on a carpet or foam in shipping box. Find the letter (A,B,C,...) on each part and check with below part list to ensure we have all components.
- Save all packing materials until assembly is complete to avoid discarding accidentally smaller parts or hardware.
- This cart requires one people to do assembly.

Parts Included :

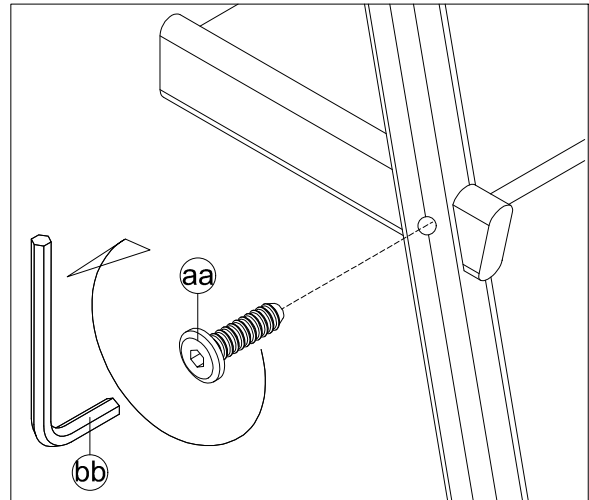
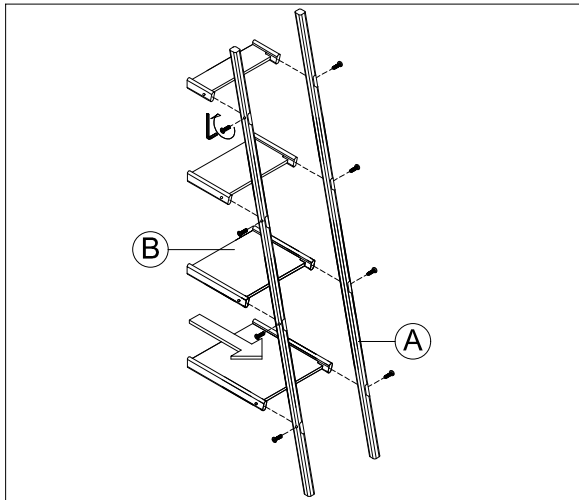
A - Leg - 2 pcs	B - Rack - 4 pcs	
		
		

Hardware Included :

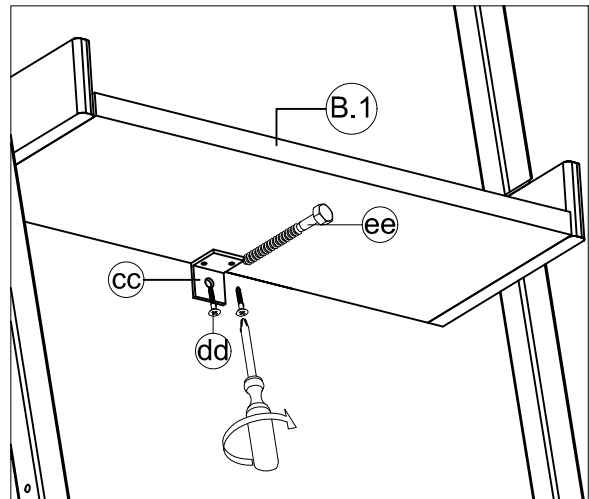
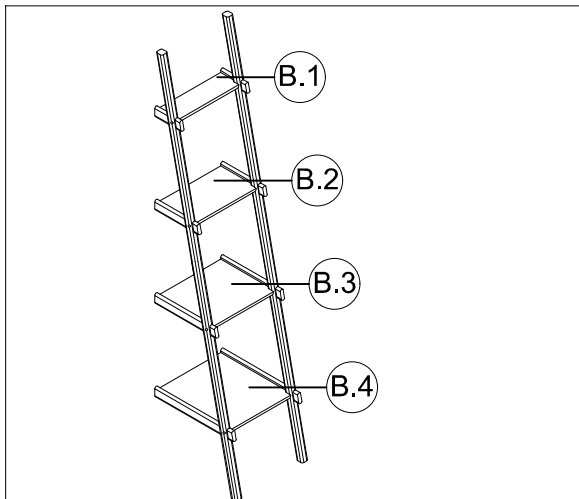
aa - JCBC Bolt - 8 pcs	bb - Allen Key - 1 pc	cc - Metal Support - 2 pcs
		
dd - Wood Screw - 4 pcs	ee - Screw Bolt - 2 pcs	ff - Wall Plugs - 2 pcs
		

Assembly Instructions :

1. Lay all components (A, B, C,...) onto clean smooth surface as carpet or cardboard.
2. Attach Rack (B) to the Leg (A). Secured by JCBC Bolt (aa). Tighten by using Allen Key (bb)



3. Drill the wall and insert the Wall Plugs (ff).
4. Fix Metal Support (cc) to the bottom surface of Rack (B) no.1 and no.3 @1 pc
Secured by Wood Screw (dd). Tighten by using Screw Driver (not include)
5. Fix Rack to the Wall. Secured by Screw Bolt (ee). Tighten by tool (not included)



WARNING !

- NOT TO BE CLIMBED AS LADDER.
- PROVIDED WALL PLUGS (ex. FISCHER) ARE FOR SOLID CONCRETE WALLS.
- IF THE WALL IS NOT AS SPECIFIED, PLEASE USE OTHERS ADAPTED WALL PLUGS.
ex. FOR PLASTERBOARD WALLS, PLEASE USE WALL PLUGS AS PICTURE.



Care Instructions :

- HARDWARE MAY LOOSEN OVER TIME. PERIODICALLY CHECK TO MAKE SURE ALL COMPONENTS ARE TIGHT. RE-TIGHTEN IF NECESSARY.
- Dust of with soft dry cloth.
- Avoid abrasive cleaners. If a cleaner is needed, use a mild-cleaner spray and blot with an absorbent cloth.
- For indoor use only.