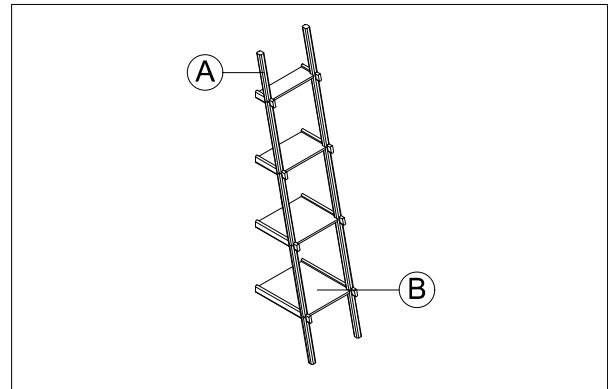


ASSEMBLING INSTRUCTION


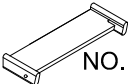
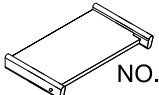
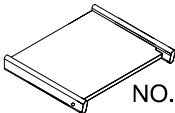
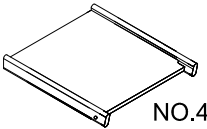
RACK

Pre Assembly :

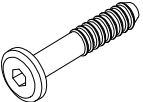
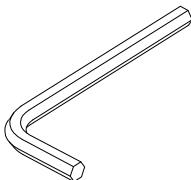
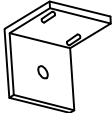


- Please read all instructions from the beginning.
- Place all parts on a carpet or foam in shipping box. Find the letter (A,B,C,...) on each part and check with below part list to ensure we have all components.
- Save all packing materials until assembly is complete to avoid discarding accidentally smaller parts or hardware.
- This cart requires one people to do assembly.

Parts Included :

A - Leg - 2 pcs	B - Rack - 4 pcs	
		
		

Hardware Included :

aa - JCBC Bolt - 8 pcs	bb - Allen Key - 1 pc	cc - Metal Support - 2 pcs
		
dd - Wood Screw - 4 pcs	ee - Screw Bolt - 2 pcs	ff - Wall Plugs - 2 pcs
