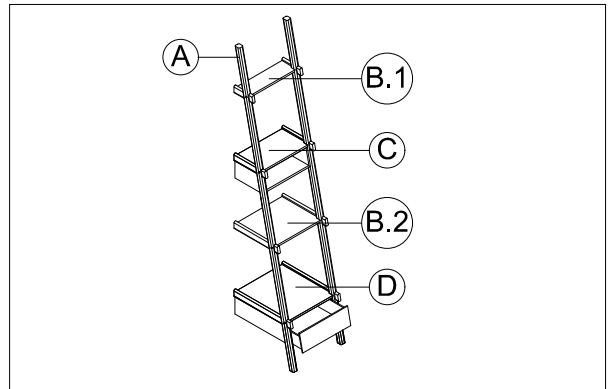


ASSEMBLING INSTRUCTION


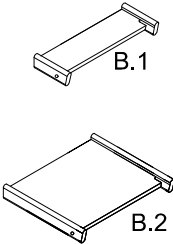
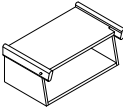
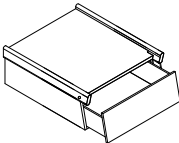
RACK

Pre Assembly :

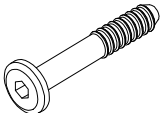
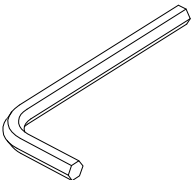
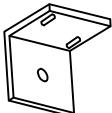
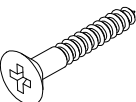
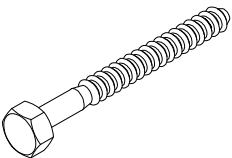


- Please read all instructions from the beginning.
- Place all parts on a carpet or foam in shipping box. Find the letter (A,B,C,...) on each part and check with below part list to ensure we have all components.
- Save all packing materials until assembly is complete to avoid discarding accidentally smaller parts or hardware.
- This cart requires one people to do assembly.

Parts Included :

A - Leg - 2 pcs	B - Rack - 2 pcs	C - Niche Cabinet - 1 pc	D - Drawer Cabinet - 1 pc
			

Hardware Included :

aa - JCBC Bolt - 8 pcs 	bb - Allen Key - 1 pc 	cc - Metal Support - 2 pcs 
dd - Wood Screw - 4 pcs 	ee - Screw Bolt - 2 pcs 	ff - Wall Plugs - 2 pcs 