

KARPENTER®

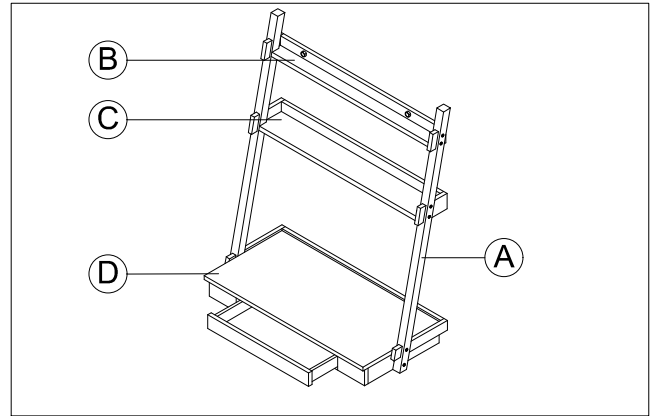
Designed by Us Defined by Nature

ASSEMBLING INSTRUCTION

HANGING DESK

Pre Assembly :

- Please read all instructions from the beginning.
- Place all parts on a carpet or foam in shipping box. Find the letter (A,B,C,...) or number (1,2,3,...) on each part and check with below part list to ensure we have all components.
- Save all packing materials until assembly is complete to avoid discarding accidentally smaller parts or hardware.
- This cart requires one people to do assembly.



Parts Included :

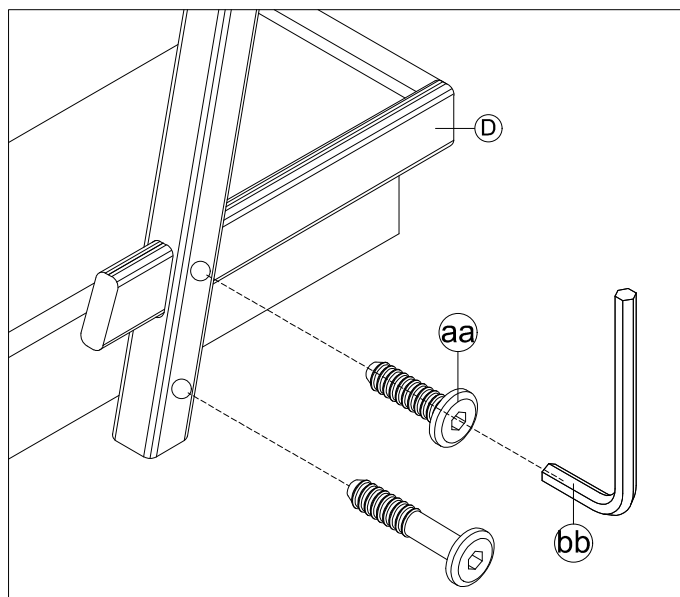
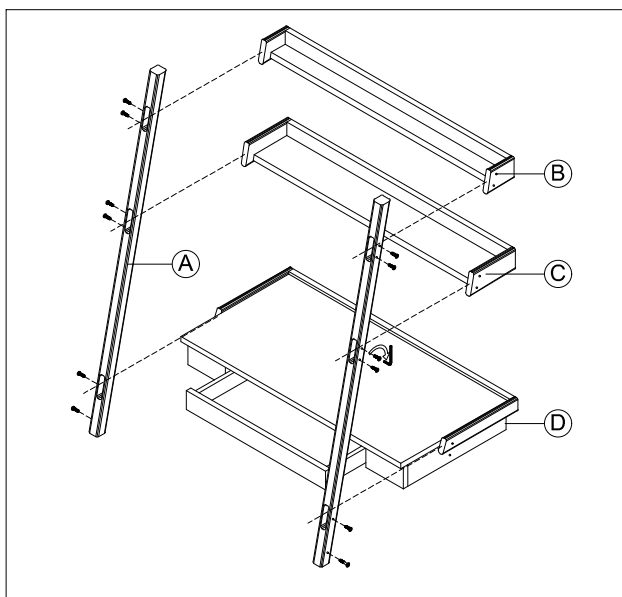
A - Leg - 2 pcs	B - Small Shelf 1 pc	C - Large Shelf 1 pc	D - Drawer Cabinet 1 pc

Hardware Included :

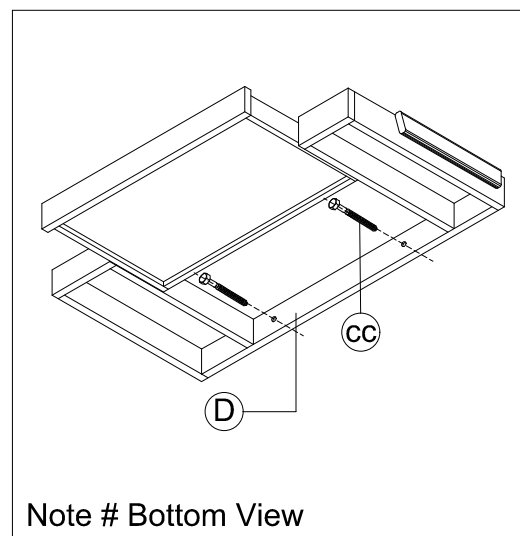
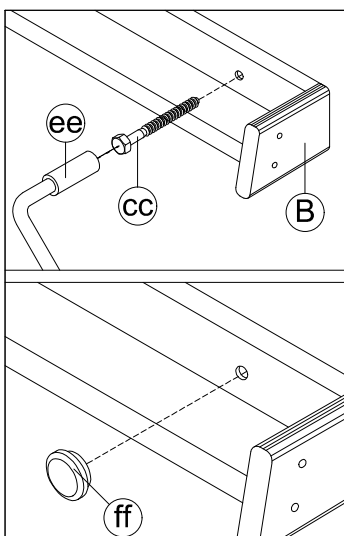
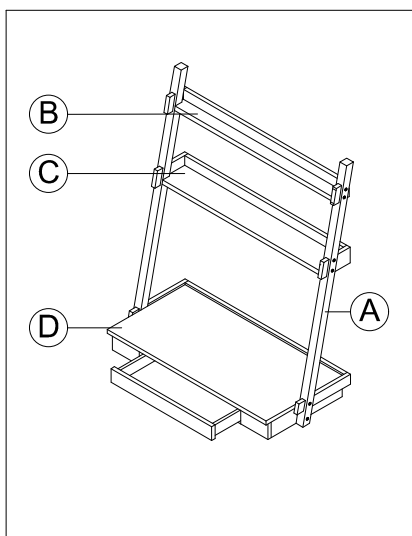
aa - JCBC Bolt Long - 2 pcs 	Short - 10 pcs 	bb - Allen Key - 1 pc 	cc - Screw Bolt - 4 pcs
dd - Wall Plugs - 4 pcs 	ee - Key Shock - 1 pc 	ff - Wooden Plugs - 2 pcs 	

Assembly Instructions :

1. Lay all components (A, B, C,...) or (1,2,3,...) onto clean smooth surface as carpet or cardboard.
2. Attach Small Shelf (B), Large Shelf (C) and Drawer Cabinet (D) to the Leg (A).
Secured by JCBC Bolt (aa). Tighten by using Allen Key (bb)
Note # Drawer Cabinet (D) use Long and Short Bolt (aa).
Small Shelf (B) and Large Shelf (C) only use Short Bolt (aa).



3. Drill the wall and insert the Wall Plugs (dd).
4. Fix Rack to the Wall. Secured by Screw Bolt (cc). Tighten by tool (not included)
5. Close the top of the Screw bolt hole (cc) using wooden plug (ff)



WARNING !

- NOT TO BE CLIMBED AS LADDER.
- PROVIDED WALL PLUGS (ex. FISCHER) ARE FOR SOLID CONCRETE WALLS.
- IF THE WALL IS NOT AS SPECIFIED, PLEASE USE OTHERS ADAPTED WALL PLUGS.
ex. FOR PLASTERBOARD WALLS, PLEASE USE WALL PLUGS AS PICTURE.



Care Instructions :

- HARDWARE MAY LOOSEN OVER TIME. PERIODICALLY CHECK TO MAKE SURE ALL COMPONENTS ARE TIGHT. RE-TIGHTEN IF NECESSARY.
- Dust of with soft dry cloth.
- Avoid abrasive cleaners. If a cleaner is needed, use a mild-cleaner spray and blot with an absorbent cloth.
- For indoor use only.