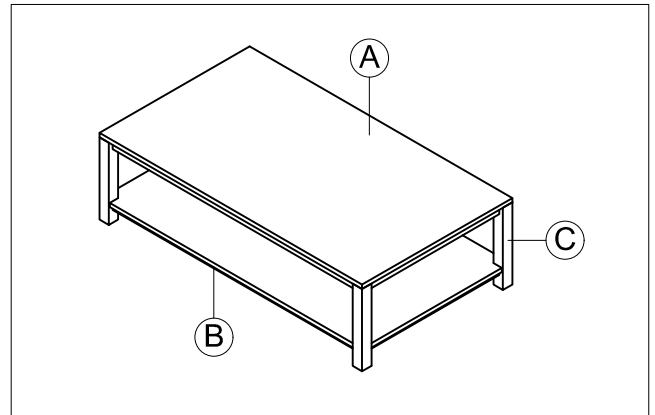




ASSEMBLING INSTRUCTION

COFFEE TABLE

Pre Assembly :



- Please read all instructions before beginning assembly
- Place all parts on a carpet or foam in shipping box. Find the letter (A,B,C,...) on each part and check with below part list to ensure we have all components.
- Save all packing materials until assembly is complete to avoid accidentally discarding smaller parts or hardware.
- This cart requires one people to do assembly.

Parts Included :

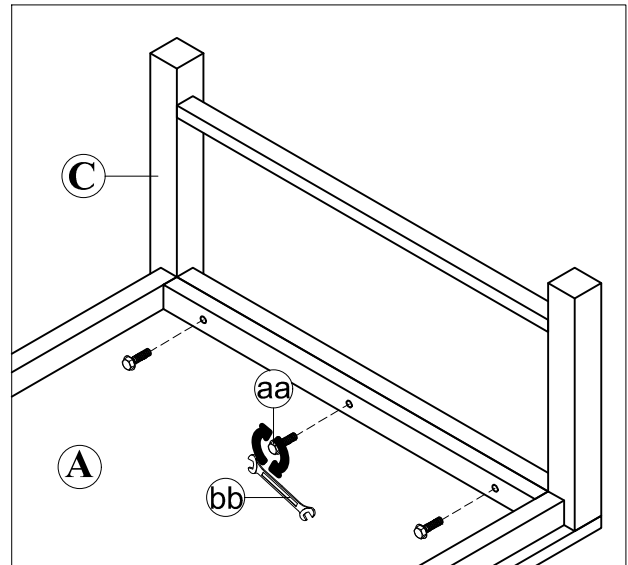
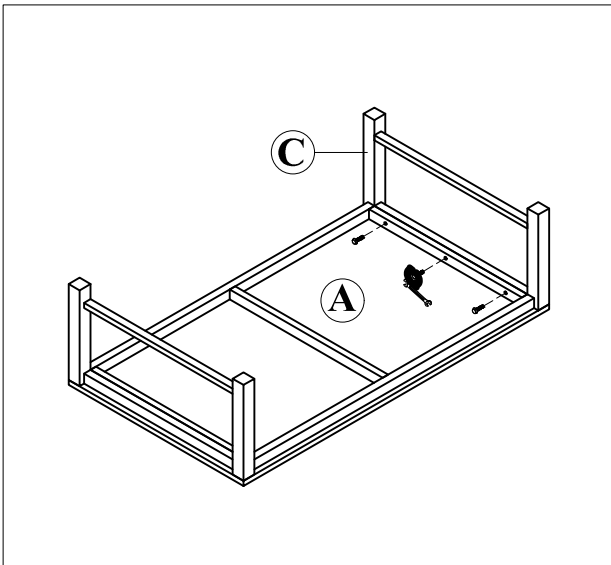
A - Top Table - 1 pc	B - Shelve - 1 pc	C - Legs - 2 pcs

Hardware Included :

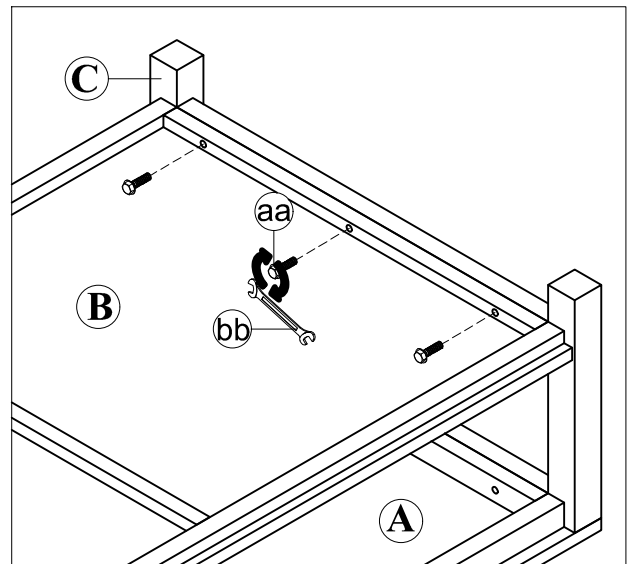
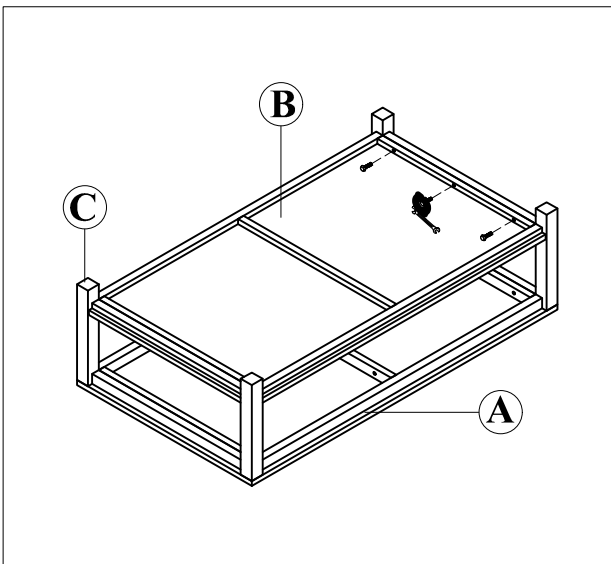
aa - Hexagonal Bolts - 12 pcs	bb - Wrench - 1 pc

Assembly Instructions :

1. Lay all components onto clean smooth surface as carpet or cardboard.
2. Attach Legs (C) to the Top Table (A) by aligning into wooden frame's holes.
Secured by Hexagonal Bolt (aa). Tighten by using Wrench (bb)



3. Attach Shelf (B) to leg (C). Secured by Hexagonal Bolt (aa). Tighten by using Wrench (bb).
4. Turn up the Table. Assembly is complete.



Care Instructions :

- Hardware may loosen over time. Periodically check to make sure all components are tight. Re-tighten if necessary.
- Dust with soft dry cloth.
- Avoid abrasive cleaners. If a cleaner is needed, use a mild-cleaner spray and blot with an absorbent cloth.
- For indoor use only.