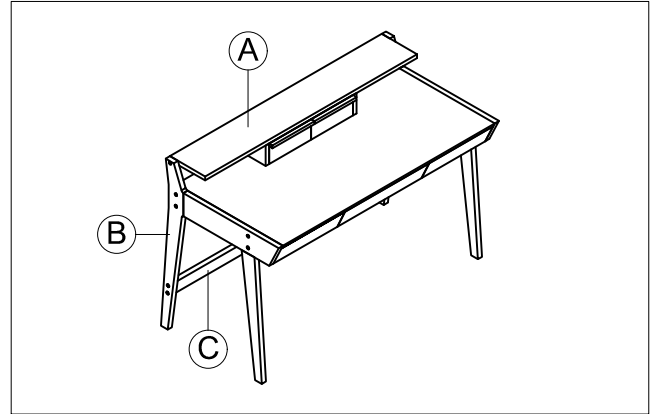




# ASSEMBLING INSTRUCTION

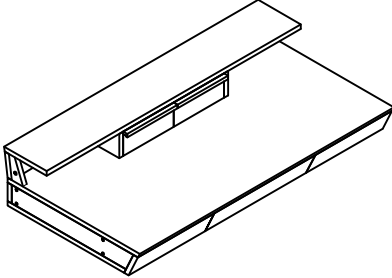
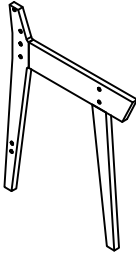
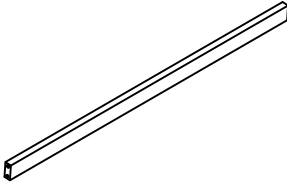
## DESK TABLE

### Pre Assembly :

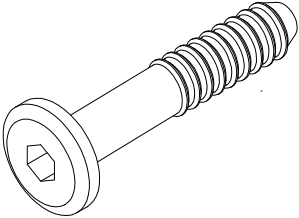
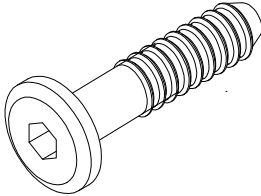
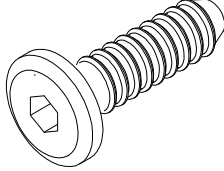
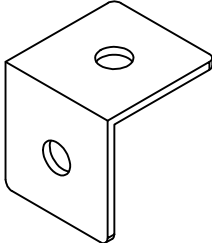
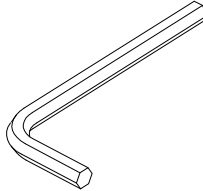


- Please read all instructions before beginning assembly
- Place all parts on a carpet or foam in shipping box. Find the round sticker with letter (A,B,C,...) on each part and check with below part list to ensure we have all components.
- Save all packing materials until assembly is complete to avoid accidentally discarding smaller parts or hardware.
- This cart requires one people to do assembly.

### Parts Included :

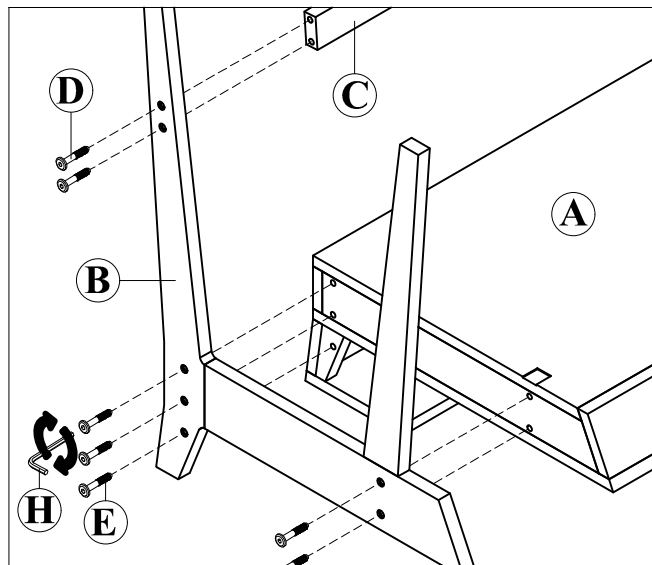
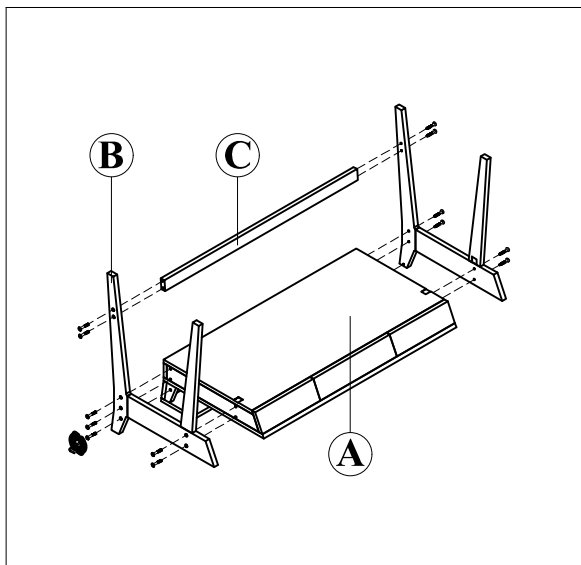
A - Top Table - 1 pc	B - Legs - 2 pcs	C - Long Rail - 1 pc
		

### Hardware Enclosed :

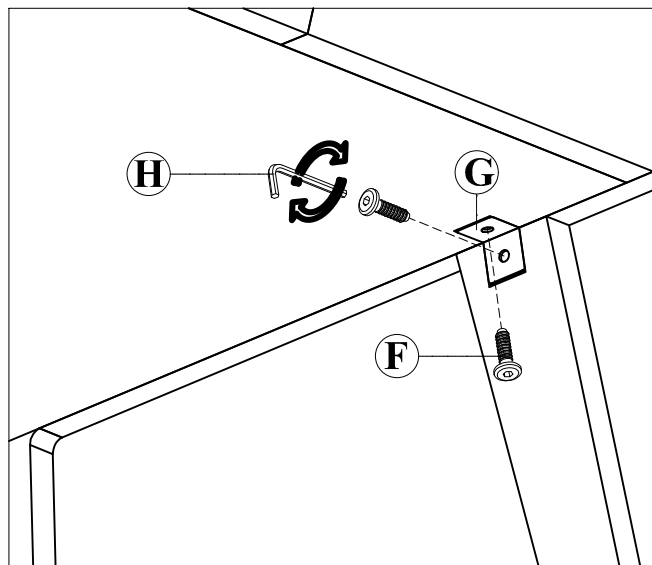
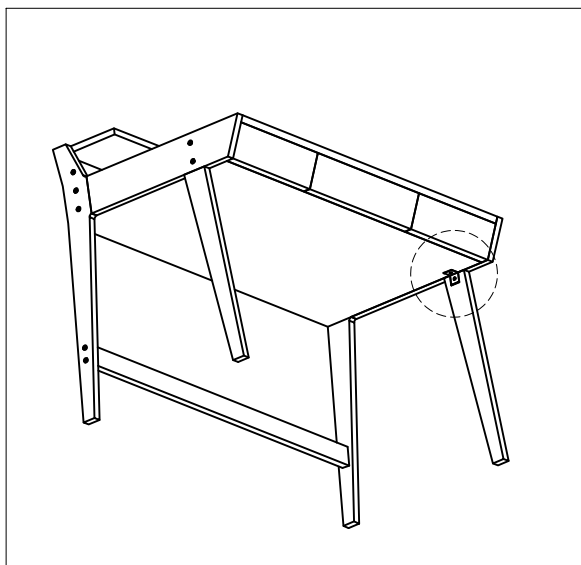
D - Long Bolt - 4 pcs	E - Medium Bolt - 10 pcs	F - Short Bolt - 4 pcs
		
G - Metal Plat - 2 pcs	H - Allen Key - 1 pc	
		

## Assembly Instructions :

1. Lay Top Table (A) onto clean smooth surface as carpet or cardboard.  
Please note the indicating stickers or letter for homing guidance.
2. Attach Leg (B) to the Top Table (A) and Long Rail (C)
  - 2.1. Leg (B) to Top (A), Secured by Medium Bolts (E). Tighten by using Allen Key (H).
  - 2.2. Leg (B) to Long Rail (C), Secured by Long Bolts (D). Tighten by using Allen Key (H).



3. Turn up the Table.
4. Attach Metal Plat (G) to the whole body.  
Secured by Short Bolts (F). Tighten by using Allen Key (H).  
**ASSEMBLY IS COMPLETED**



## Care Instructions :

Hardware may loosen over time. Periodically check to make sure all components are tight.  
Re-tighten if necessary.  
Dust with soft dry cloth.  
Avoid abrasive cleaners. If a cleaner is needed, use a mild-cleaner spray and blot with an absorbent cloth.  
For indoor use only.