

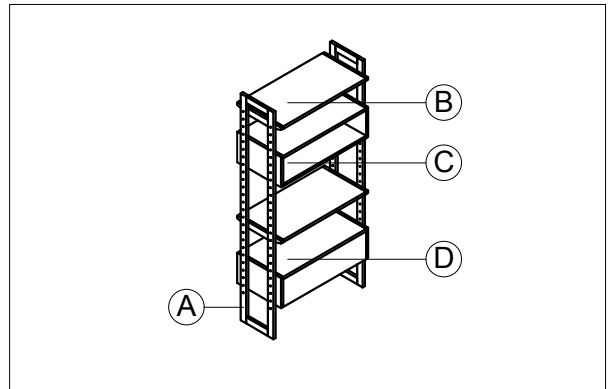


ASSEMBLING INSTRUCTION

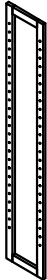
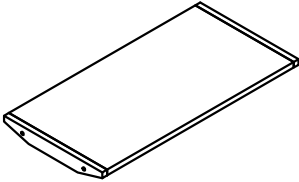
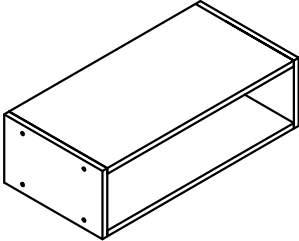
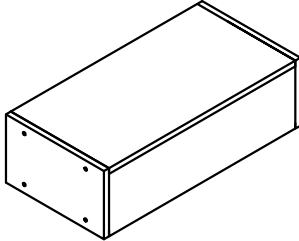
WALL SHELF

Pre Assembly :

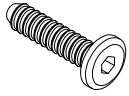
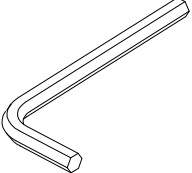
- Please read all instructions before beginning assembly
- Place all parts on a carpet or foam in shipping box. Find the sticker or letter (A,B,C,...) on each part and check with below part list to ensure we have all components.
- Save all packing materials until assembly is complete to avoid accidentally discarding smaller parts or hardware.
- This cart requires one people to do assembly.



Parts Included :

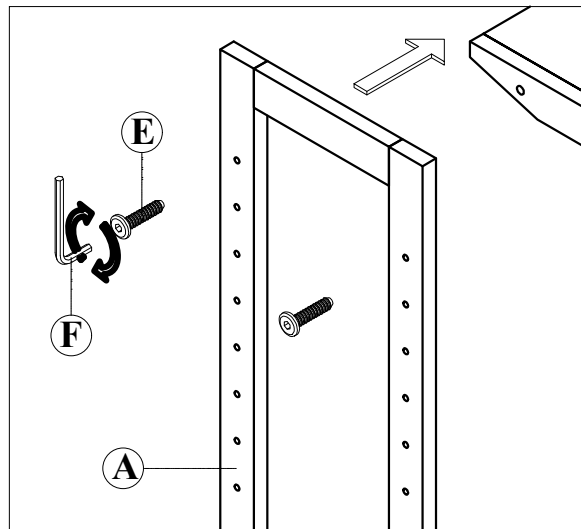
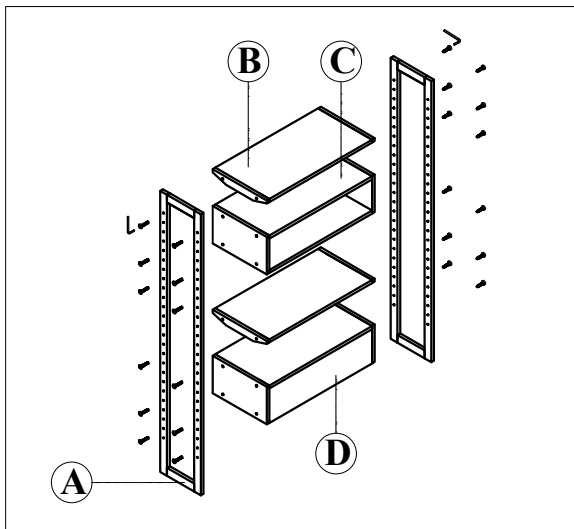
A - Leg - 2 pcs 	B - Shelves - 2 pcs 
C - Niche - 1 pcs 	D - Box Cabinet - 1 pc 

Hardware Enclosed :

E - Bolt - 24 pcs	F - Allen Key - 1 pc
	

Assembly Instructions :

1. Attach Shelves (B), Niche (C) and Box Cabinet (D) to the Leg (A).
Secured by Bolt (E). Tighten by using Allen Key (F)
Assembly is complete



Care Instructions :

- Hardware may loosen over time. Periodically check to make sure all components are tight. Re-tighten if necessary.
- Dust with soft dry cloth.
- Avoid abrasive cleaners. If a cleaner is needed, use a mild-cleaner spray and blot with an absorbent cloth.
- For indoor use only.