



KARPENTER

COLLECTION
TWIST
Dimension (mm)
1460 x W400 x H540

ITEM
SIDE TABLE
Code

SIGNED
DESIGN
date

CHECKED
DRAFTER
date

APPROVED
BADMANG
date

PRODMANG
date

PLANTMANG
date

Drawing Number Page

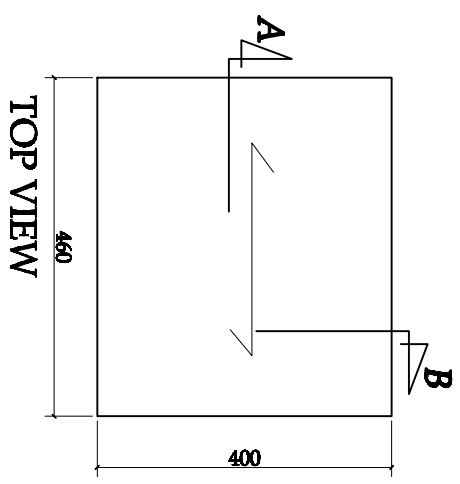
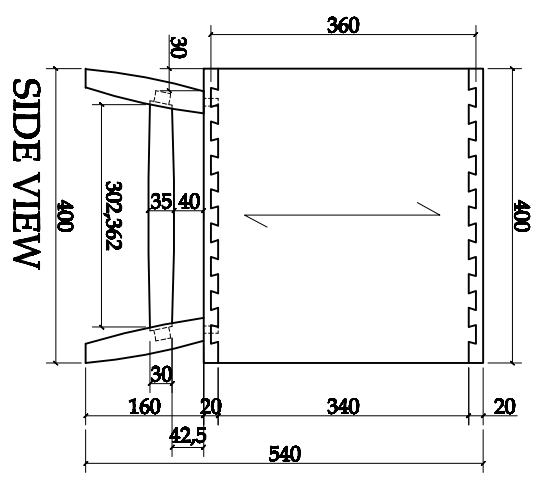
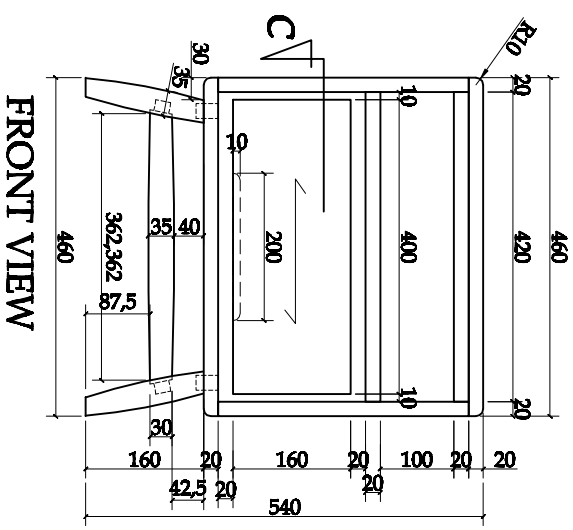
1 / 4

First Made: November 7th, 2013

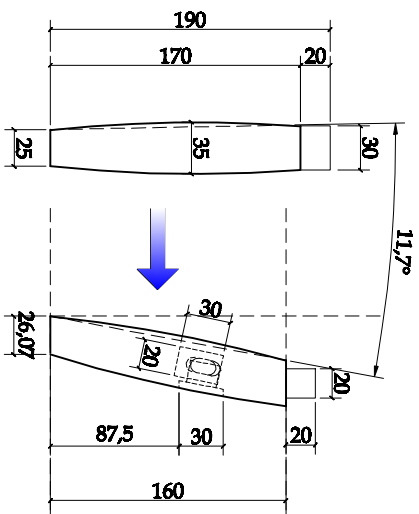
Last Modified: January 16th, 2014

Scale

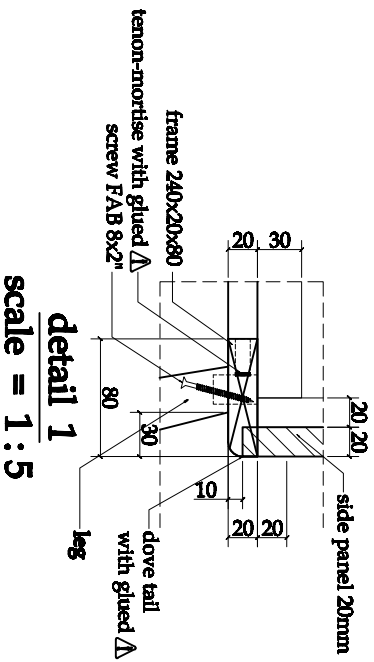
1 : 10



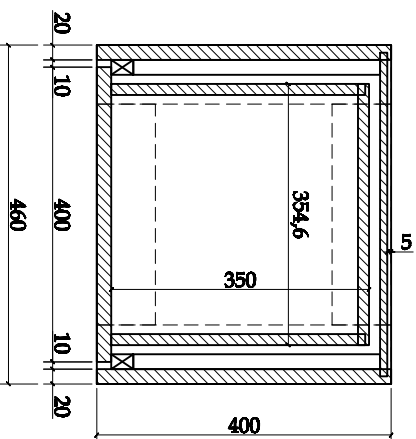
KARPENTER Drawing Number: 2 / 4		COLLECTION	ITEM	SIGNED				
		TWIST Dimension (mm)		SIDE TABLE Code	DESIGN	DEALTER	CHECKED	PROD. LANG
Page: 2 / 4		1460 x W400 x H540	Scale	date	date	date	date	date
Last Modified: January 16th, 2014			1 : 10					



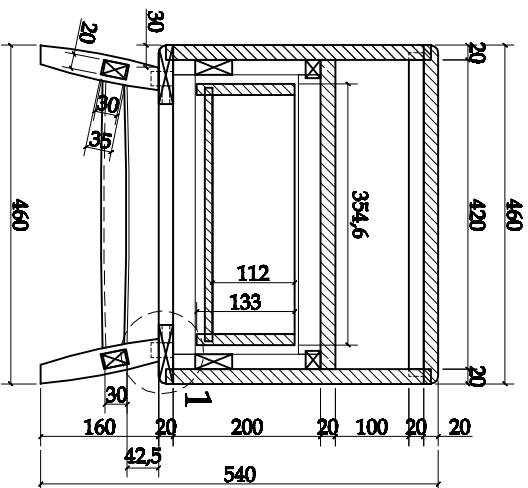
detail leg
scale = 1 : 5



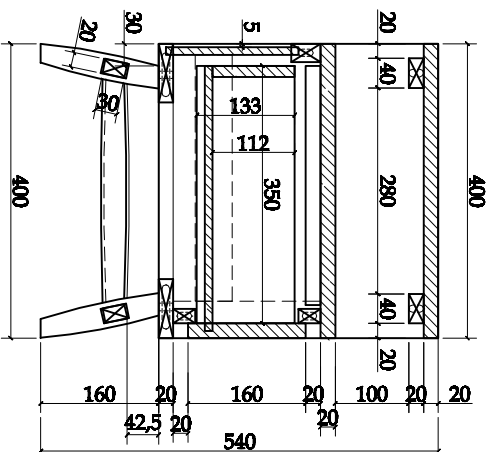
SECTION C-C



SECTION A-A



SECTION B-B



KARPENTER

COLLECTION
TWIST
Dimension (mm)
1460 x W400 x H540

ITEM
SIDE TABLE
Code

Drawing Number

Page

3 / 4

File Made: November 7th, 2013
Last Modified: January 16th, 2014

Scale

1 : 10

SIGNED

DESIGN

DRAWER

CHECKED

BAWANG

APPROVED

PROD. MANG

PLANT MANG

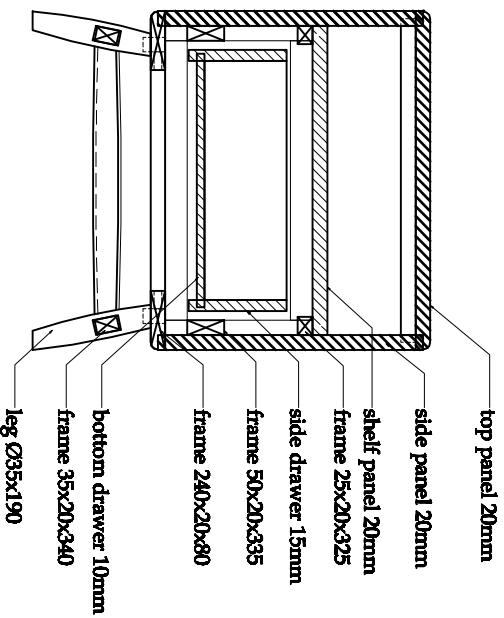
date

date

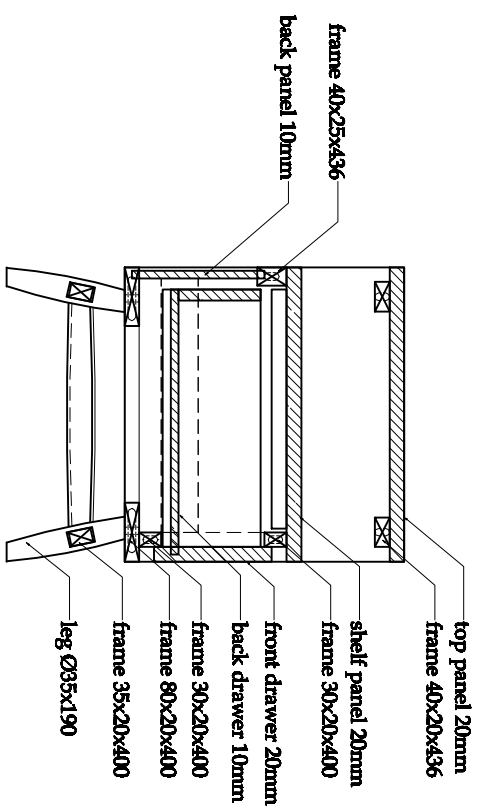
date

date

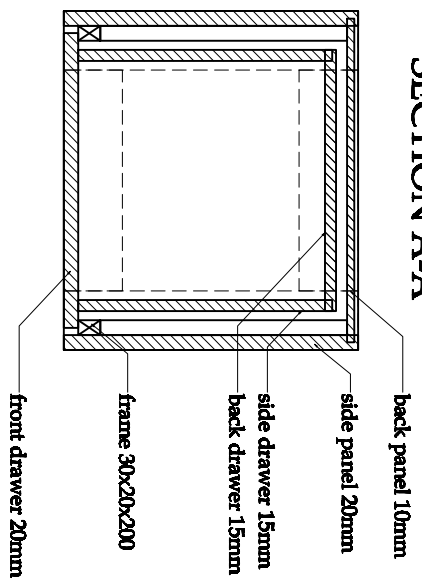
date



SECTION A-A



SECTION B-B



SECTION C-C

KARPENTER		COLLECTION	ITEM	SIGNED		CHECKED		APPROVED	
		TWIST	SIDE TABLE	DESIGN	DRAWER	BAU MANG	PROD. MANG	PLANT MANG	
Drawing Number		Page	Dimension (mm)	Code	date	date	date	date	date
4 / 4		4	1460 x W400 x H540						
Last Modified: January 16th, 2014		Issue Made: November 7th, 2013	Scale		1 : 10				