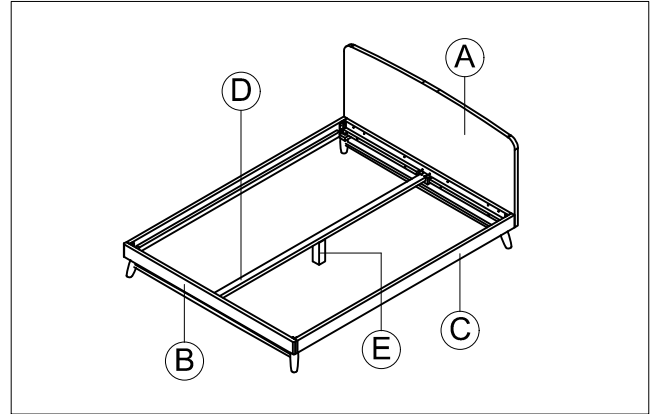




ASSEMBLING INSTRUCTION

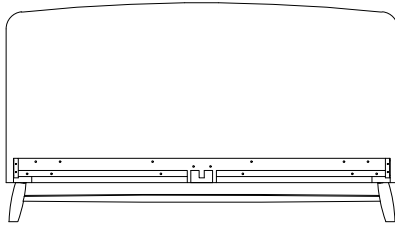


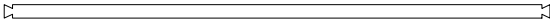
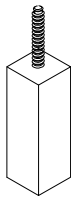


BED

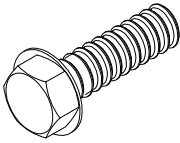
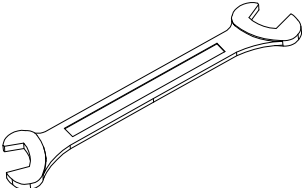
Pre Assembly :

- Please read all instructions before beginning assembly
- Place all parts on a carpet or foam in shipping box. Find the letter (A,B,C,...) on each part and check with below part list to ensure we have all components.
- Save all packing materials until assembly is complete to avoid accidentally discarding smaller parts or hardware.
- This cart requires one people to do assembly.

Parts Included :

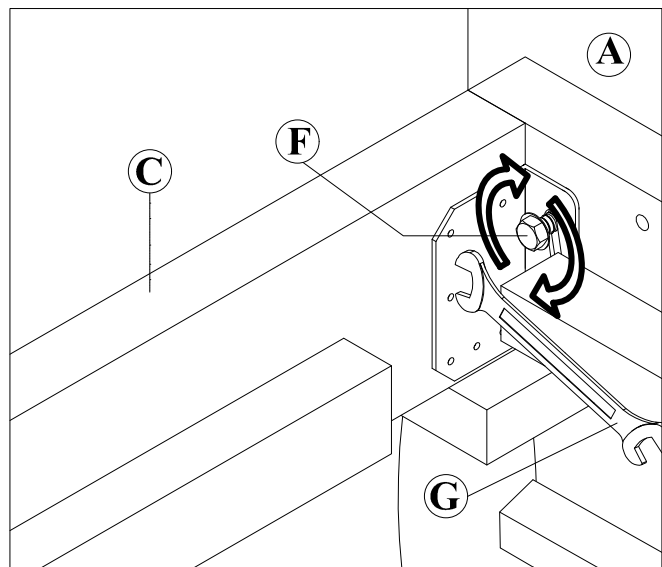
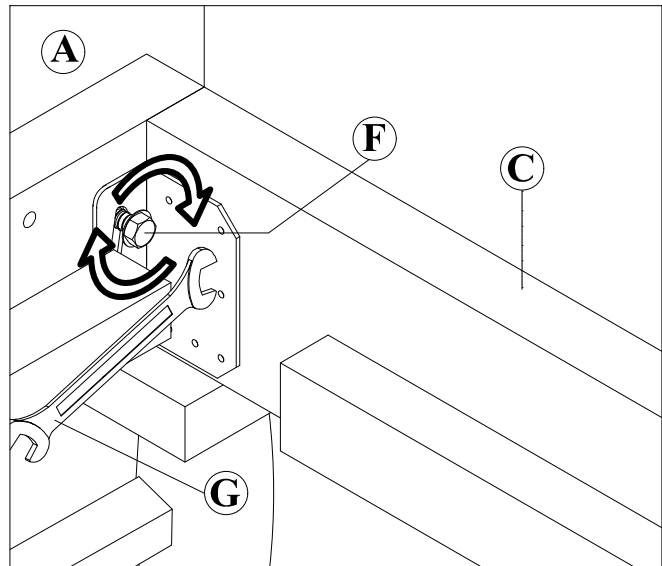
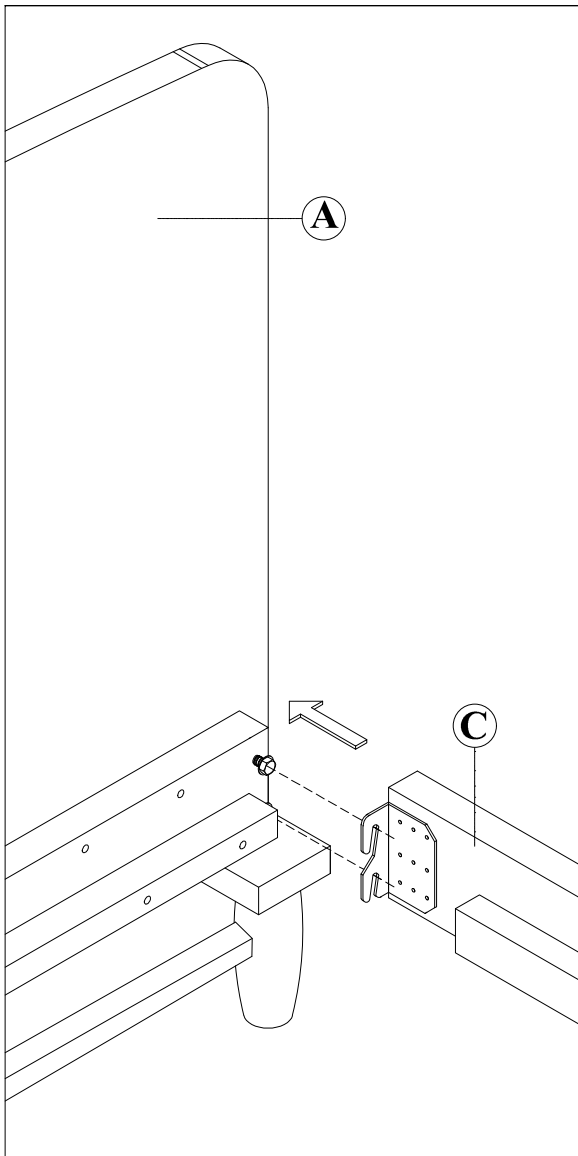
<p>A - Headboard - 1 pc</p> 	<p>B - Footboard - 1 pc</p> 	<p>C - Side Rail - 2 pcs</p> 
<p>D - Center Rail - 1 pc</p> 	<p>E - Extra Leg - 1 pc</p> 	

Hardware Enclosed :

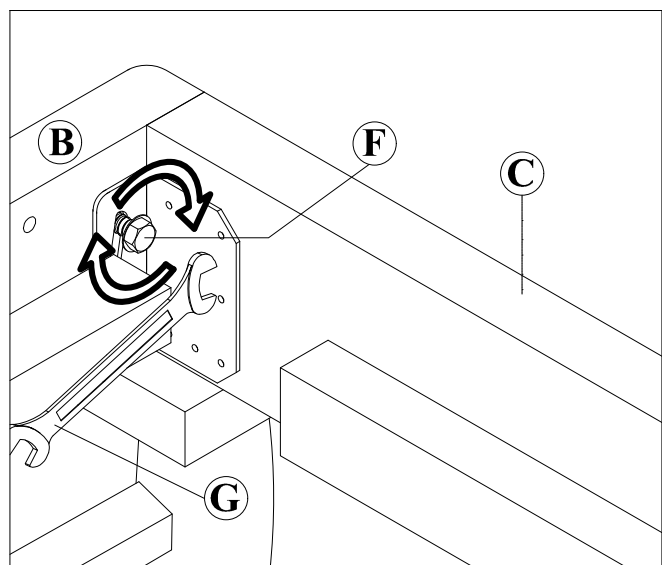
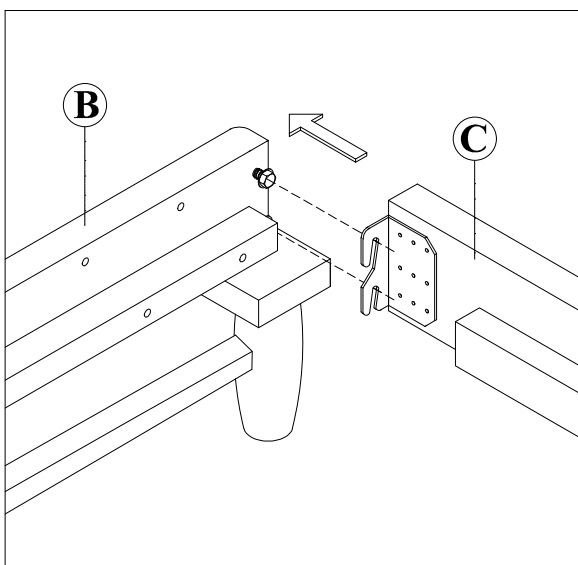
<p>F - Hexagonal bolts - 8 pcs</p> 	<p>G - Wrench - 1 pc</p> 
--	--

Assembly Instructions :

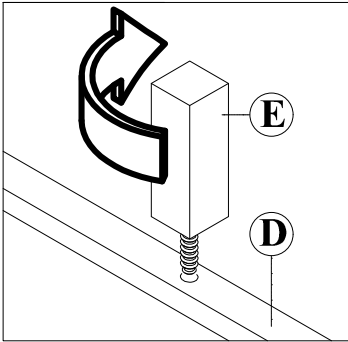
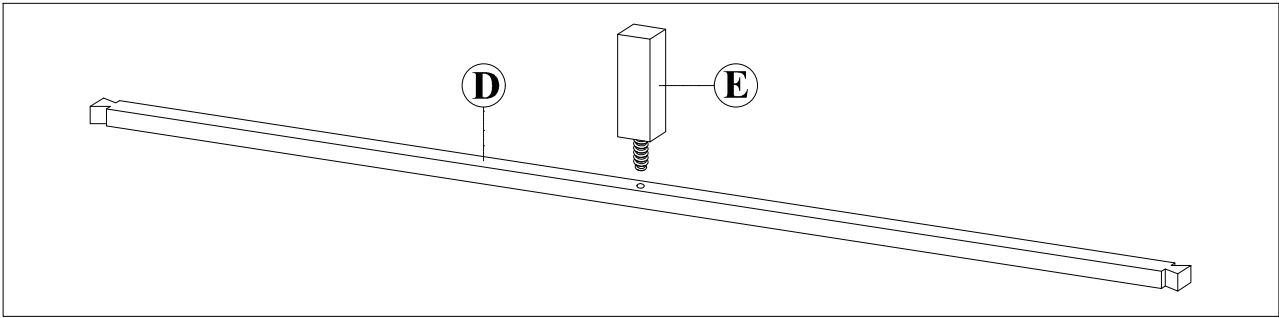
1. Lay all components (A, B, C,...) onto clean smooth surface as carpet or cardboard.
2. Attach Side Rail (C) to the Headboard (A). Please carefully note
 - 2.1. All letter at component that indicates homing destination as not to misplace components.
 - 2.2. Please hang the brackets to the Hexagonal bolts (F) and tighten by using Wrench (G) (see below diagram).



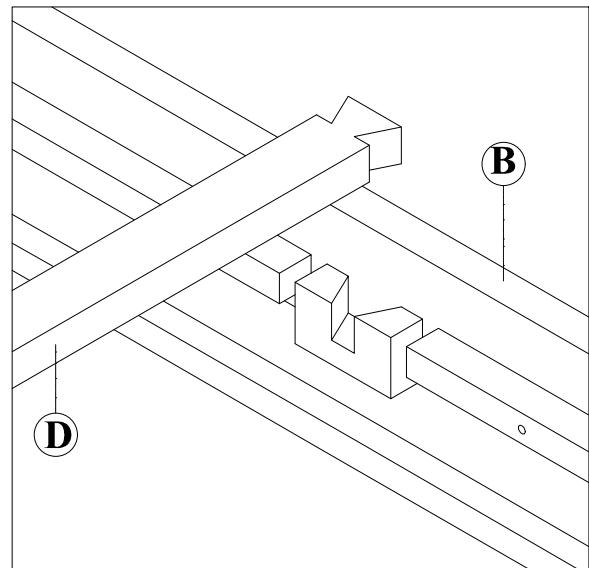
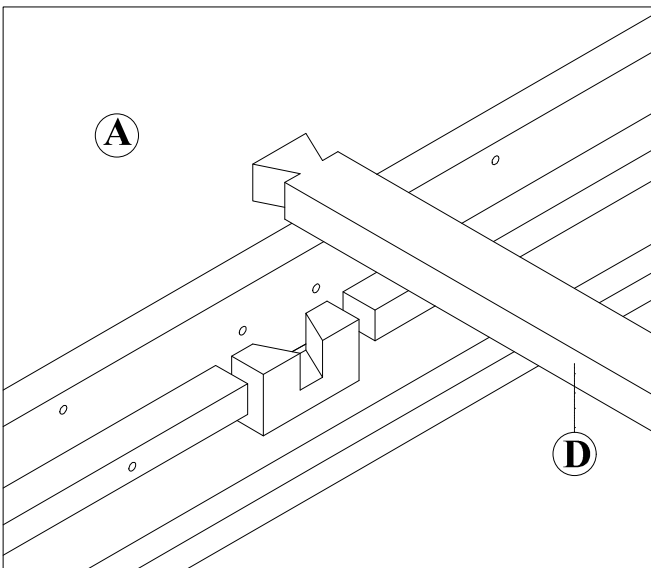
3. Attach Footboard (B) to the components.
 - 3.1. Please note the indicating letters for homing guidance.
 - 3.2. Please hang the brackets to the Hexagonal bolts (F) and tighten by using Wrench (G) (see below diagram).



4. Attach Extra Leg (E) to the Center Rail (D). See diagram below



5. Attach Center Rail (D) with Extra Leg (E) to bed. Please DO NOT attach Center Rail (D) without first securing Extra Leg (E) to the whole body otherwise Center Rail (D) might break.
ASSEMBLY IS COMPLETED



Care Instructions :

- Hardware may loosen over time. Periodically check to make sure all components are tight. Re-tighten if necessary.
- Dust with soft dry cloth.
- Avoid abrasive cleaners. If a cleaner is needed, use a mild-cleaner spray and blot with an absorbent cloth.
- For indoor use only.