



## LION BRAND® LION BOUCLÉ Knit Baby Poncho



Stitch up a quick, comfy chic style for your favorite tot!

**SKILL LEVEL** *Easy+*

**SIZE**

18-24 months

**Cuff to cuff** 23"

**Length** 14 1/2"

**MATERIALS**

- LION BRAND Lion Bouclé

**Version 1**

3 balls #213 Taffy

**Version 2**

3 balls #203 Jellybean

or color of your choice

- LION BRAND size 10.5 (6.5 mm) knitting needles OR SIZE TO OBTAIN GAUGE
- LION BRAND stitch holder
- LION BRAND large-eyed, blunt needle

**GAUGE**

11 sts + 20 rows = 4" (10 cm) in garter st (k every row).

BE SURE TO CHECK YOUR GAUGE.

**BACK**

Cast on 3 stitches.

Knit 1 row.

Cast on 2 sts at beg of row, then knit across – 5 sts.

Cast on 2 sts at beg of row, then knit across – 7 sts.

Cast on 1 st at beg of row, then knit across. Repeat this row 44 more times – 52 sts.

Knit 24 rows. Bind off all sts.

**FRONT**

Work as for Back until there are 52 sts on the needle.

Knit 8 rows.

Knit 26 sts. Place remaining 26 sts onto stitch holder.

**LEFT FRONT**

Knit 8 more rows.

Bind off 6 sts (neck edge) and knit across.

Knit 1 row.

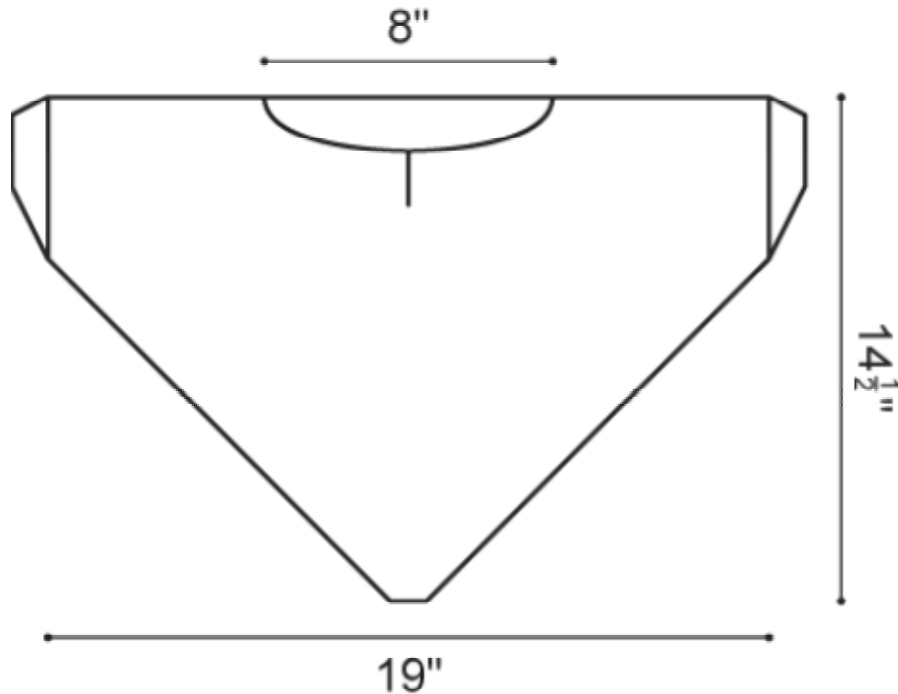
Bind off 3 sts and knit across.

Knit 1 row.

Bind off 2 sts and knit across.

© 1998-2003 Lion Brand Yarn Company, all rights reserved  
34 West 15th Street, New York, New York 10011  
Call TOLL-FREE 1-800-258-YARN

Knit 2 rows. Bind off all sts.



### RIGHT FRONT

Place sts from holder onto needle. Join yarn at center Front and knit across. Knit 7 more rows. Work bind offs at neck edge as for Left Front.

### FINISHING

Join Front and Back pieces together at shoulders, matching outside edges of Front and Back and joining until you reach the bind offs at neck edge of Front.

### Cuff

With RS facing, pick up and knit 28 stitches evenly across unshaped section of side edge. Work 6 rows in K1, P1 Rib; bind off. Sew side edges of Cuff together, continuing into shaped edge of Poncho for 1 1/2".

### Collar

With RS facing, pick up and knit 49 sts evenly around neck opening (excluding vertical slit). Work 11 rows in K1, P1 Rib; bind off. Weave in ends.

#### ABBREVIATIONS:

beg = begin(ning)	RS = right side
k = knit	st(s) = stitch(es)
p = purl	

© 1998-2003 Lion Brand Yarn Company, all rights reserved  
 34 West 15th Street, New York, New York 10011  
 Call TOLL-FREE 1-800-258-YARN

*Lion Bouclé (Article #930) is packaged in 2 1/2 oz (70 g)/57 yd (52 m) balls*

Every effort has been made to have the knitting and crochet instructions accurate and complete. We cannot be responsible for variance of individual knitters and crocheters, human errors, or typographical mistakes.

© 1998-2003 Lion Brand Yarn Company, all rights reserved  
34 West 15th Street, New York, New York 10011  
Call TOLL-FREE 1-800-258-YARN

No pattern or other material may be reproduced – mechanically, electronically or by any other means, including photocopying – without written permission of Lion Brand Yarn Company