



**LION BRAND® HOMESPUN® BABY – BABYSOFT® –
MAGIC STRIPE**

Crocheted Baby Pocket Cardigan & Hat



Skill Level: Easy

SIZE

6 (12, 18) months

Finished chest 23 1/2 (26 1/2, 28 3/4)" [59.5 (67.5, 73) cm]

Length 11 (13, 14)" [28 (33, 35.5) cm]

Hat 14 (16, 17)" [35.5 (40.5, 43) cm] circumference

MATERIALS

- LION BRAND Homespun Baby

All

3 skeins #100 Snow White (MC)

or color of your choice

- LION BRAND Babysoft (Color A)

Colorway 1

1 ball #103 Bubblegum 1 ball

Colorway 2

1 ball #107 Bluebell

Colorway 3

#143 Lavender

or color of your choice

- LION BRAND Magic Stripes (Color B)

Colorway 1

1 ball #204 Bright Spring

Colorway 2

1 ball #208 Regatta Blue Stripe

Colorway 3

#200 Jelly Bean Stripe

or color of your choice

- LION BRAND size K-10.5 [6.5 mm] crochet hook OR SIZE TO OBTAIN GAUGE
- LION BRAND size G-6 [4 mm] crochet hook OR SIZE TO OBTAIN GAUGE
- Size E-4 [3.5 mm] crochet hook OR SIZE TO OBTAIN GAUGE
- Four 7/8" [22 mm] buttons
- LION BRAND large-eyed, blunt needle

GAUGE

10 hdc + 7.5 rows = 4" [10 cm] with MC on largest hook.

16 sc + 20 rows = 4" [10 cm] with A on middle-sized hook.

© 1998-2002 Lion Brand Yarn Company, all rights reserved
34 West 15th Street, New York, New York 10011
Call TOLL-FREE 1-800-258-YARN

20 sc + 23 rows = 4" [10 cm] with B on smallest hook.
BE SURE TO CHECK YOUR GAUGE.

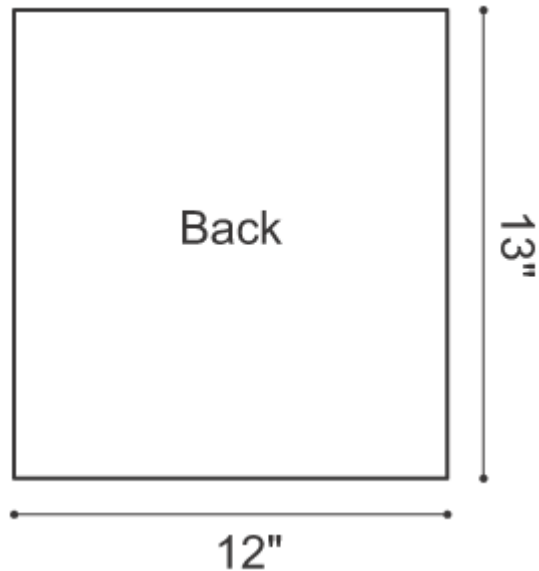
BACK

With MC and largest hook, ch 26 (31, 33).

Row 1 Hdc in 3rd ch from hook and in each ch across; turn – 25 (30, 32) hdc.

Row 2 Ch 2, hdc in next hdc and in each hdc across; turn.

Repeat Row 2 until piece measures 11 (13, 14)" [28 (33, 35.5) cm] from beg. Fasten off.



BUTTONHOLES

Work buttonholes on Right Front for girl or Left Front for boy.

Mark placement for buttonholes 1" [2.5 cm] from bottom, 1" [2.5 cm] from neck shaping, and 2 equally spaced between.

For each buttonhole, work to 1 st before marker, ch 1, skip 1 st, and continue in pattern.
On next row, work hdc in each ch1-space.

RIGHT FRONT

Note Work buttonholes for girl on Right Front.

With MC and largest hook, ch 17 (19, 21).

Row 1 (RS) Hdc in 3rd ch from hook and in each ch across; turn – 17 (18, 20) hdc.

Row 2 Ch 2, hdc in next hdc and in each hdc across; turn.

Repeat Row 2 until piece measures 9 (11, 12)" [23 (28, 30.5) cm] from beg, ending with a RS row.

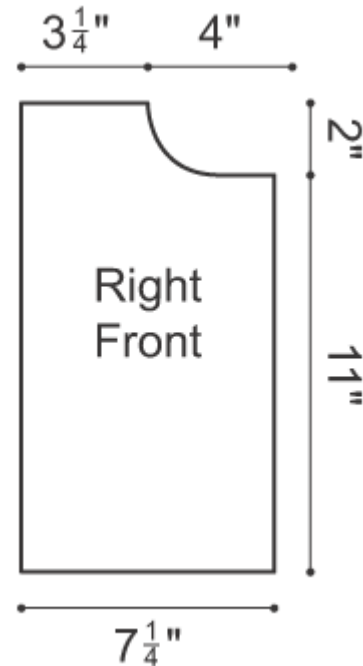
Shape Neck

Next Row (WS) Work to last 3 (4, 4) sts; turn.

Next Row Slip st in next 3 (3, 4) sts, hdc in remaining 11 (11, 12) sts; turn.

Next Row Work to last 2 sts; turn.

Last Row Slip st in first st, hdc in remaining 8 (8, 9) sts. Fasten off.

**LEFT FRONT**

Note Work buttonholes for boy on Left Front.

Work as for Right Front, reversing neck shaping.

SLEEVES

With MC and largest hook, ch 17 (17, 19). Hdc in 3rd ch from hook and in each ch across; turn – 16 (16, 18) hdc.

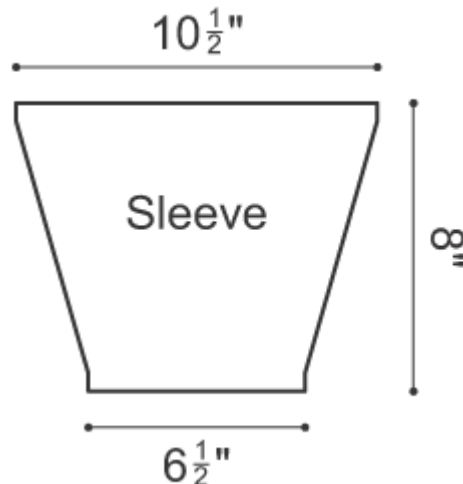
Continue in hdc, inc 1 st each end (by working 2 hdc in one st) every 3rd row 4 (5, 5) times, then every 2nd row 0 (0, 1) times – 24 (26, 30) sts. Work even until piece measures 7 (8, 9 1/2)" [18 (20.5, 24) cm] from beg. Fasten off.

PATCH POCKETS – Make 2

With A and middle-sized hook, ch 15.

Row 1 Sc in 2nd ch from hook and in each ch across; turn – 14 sc.

Row 2 Ch 1, sc in each sc across; turn. Repeat Row 2 for 12 more rows. Fasten



40446

off.

ELBOW PATCHES – Make 2

With A and middle-sized hook, ch 13.

Row 1 Sc in 2nd ch from hook and in each ch across; turn – 12 sc.

Row 2 Ch 1, sc in each sc across; turn.

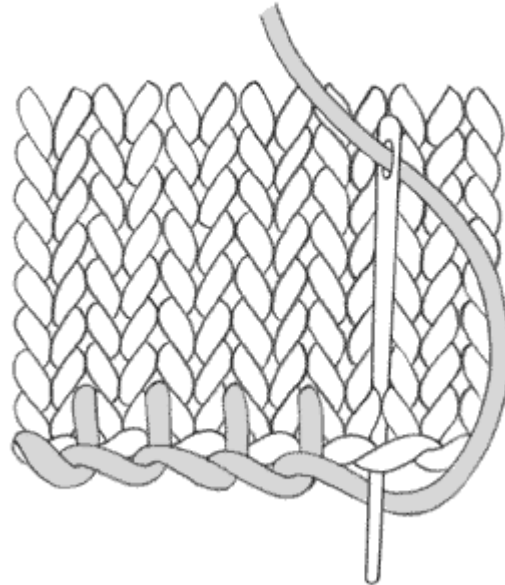
Repeat Row 2 for 10 more rows. Fasten off.

FINISHING

Position Pockets on Fronts 1 1/2" [4 cm] from bottom edge and 1" [2.5 cm] from side edge. Sew in place. Position Elbow Patches at center of Sleeve. Sew in place.

Sew shoulder seams. Mark Fronts and Back 4 3/4 (5 1/4, 6)" [12 (13.5, 15) cm] down from shoulder seam. Sew in Sleeves between markers. Sew side and Sleeve seams. Using blunt needle and 2 strands of A held tog, work blanket st along open edges. Weave in ends.

BLANKET



HAT

With B and smallest hook, ch 71 (81, 86).

Row 1 Sc in 2nd ch from hook and in each ch across; turn – 70 (80, 85) sc.

Row 2 Ch 1, sc in each sc across; turn.

Repeat Row 2 until piece measures 7 1/2 (8, 8 1/2)" [19 (20.5, 21.5) cm] from beg. Fasten off.

FINISHING

Using large-eyed, blunt needle and B, place short edges tog and sew 3/4 (1, 1)" [2 (2.5, 2.5) cm] seam with WS facing for turned up brim; then sew remaining 6 3/4 (7, 7 1/2)" [17 (18, 19) cm] with RS facing. Draw yarn through every other sc across top. Tighten and secure.

TASSEL

Cut a piece of cardboard measuring 4 1/2" [11.5 cm]. Wind A around cardboard 70 times. Break off yarn. Draw a double strand of A through all yarn on cardboard. Tighten and secure for top of tassel. Cut at opposite end. Tie another strand of yarn around tassel 1/2" [1.5 cm] from top, winding it around several times, and secure. Trim bottom of tassel evenly. Secure top of tassel to top of Hat.

© 1998-2002 Lion Brand Yarn Company, all rights reserved
34 West 15th Street, New York, New York 10011
Call TOLL-FREE 1-800-258-YARN

ABBREVIATIONS	
beg = begin(ning) ch = chain ch-space = space previously made hdc = half double crochet inc = increas(e)(s)(ing) MC = main color	RS = right side sc = single crochet st(s) = stitch(es) tog = together WS = wrong side

**Homespun (Article #790) is a uniquely-textured bulky weight yarn that works up quickly and easily. 98% acrylic, 2% polyester; packaged in 6 oz/170g (185 yd/167m) pull skeins.*

**Baby Soft (Article #920) is a Medium sportweight yarn, 60% acrylic, 40% polyamid. Solids are packaged in 5 oz/141g (459 yd/420m) balls, prints in 4 oz/113g (367 yd/336m) balls.*

**Magic Stripes (Article #310) is packaged in 3 1/2 oz [100 g]/330 yd [300 m] balls*

Every effort has been made to have the knitting and crochet instructions accurate and complete. We cannot be responsible for variance of individual knitters and crocheters, human errors, or typographical mistakes.

© 1998-2002 Lion Brand Yarn Company, all rights reserved
 34 West 15th Street, New York, New York 10011
 Call TOLL-FREE 1-800-258-YARN

No pattern or other material may be reproduced – mechanically, electronically or by any other means, including photocopying – without written permission of Lion Brand Yarn Company