



**Free Knitting Pattern**  
**Lion Brand® Festive Fur - Fun Fetti**  
**Bolero**  
**Pattern Number: 50389**



Click here for the [crocheted flower pattern](#) . [Pattern also available in French.](#)

# Free Knitting Pattern from Lion Brand Yarn

## Lion Brand® Festive Fur - Fun Fetti

### Bolero

Pattern Number: 50389

**SKILL LEVEL:** Easy (Level 2)

**SIZE:** Small, Medium, Large, 1X

**Chest** 34 (36, 40, 44) inches [86.5 (91.5, 101.5, 111.5) cm]

**Length** 17½ (18½, 19½, 20½) inches [44.5 (47, 49.5, 52) cm]

**Note:** Pattern is written for smallest size with changes for larger sizes in parentheses. When only one number is given, it applies to all sizes. To follow pattern more easily, circle all numbers pertaining to your size before beginning.

**CORRECTIONS:** None as of Oct 28, 2016. To check for later updates, click [here](#).

#### MATERIALS

- 570-100 Lion Brand Festive Fur Yarn: White 8 (9, 10, 11) Balls (MC) *\*Festive Fur (Article #570). 80% Polyester, 20% Metallic Polyester; package size: 1.75oz/50.00 gr. (55yds/50m) pull skeins*
- 560-200 Lion Brand Fun Fetti Yarn: Gala White 2 Balls *\*Fun Fetti (Article #560). 89% polyester, 11% nylon; package size: 1.75oz/50.00 gr. (46yds/42m) pull skeins*
- Lion Brand Knitting Needles- Size 9 [5.5 mm]
- Lion Brand Knitting Needles Size 11 [8 mm]
- Lion Brand Crochet Hook - Size I-9
- Lion Brand Split Ring Stitch Markers
- Lion Brand Large-Eye Blunt Needles (Set of 6)
- Additional Materials  
1 1-inch [25 mm] button



#### GAUGE:

13 sts + 28 rows = 4 inches [10 cm] in garter stitch (knit every row) with MC on smaller needles. When you match the gauge in a pattern, your project will be the size specified in the pattern and the materials specified in the pattern will be sufficient. The needle or hook size called for in the pattern is based on what the designer used, but it is not unusual for gauge to vary from person to person. If it takes you fewer stitches and rows to make your swatch, try using a smaller size hook or needles; if more stitches and rows, try a larger size hook or needles.

[Making a Gauge Swatch](#)

#### NOTES:

Measure gauge with piece unstretched.

#### BOLERO

##### BACK

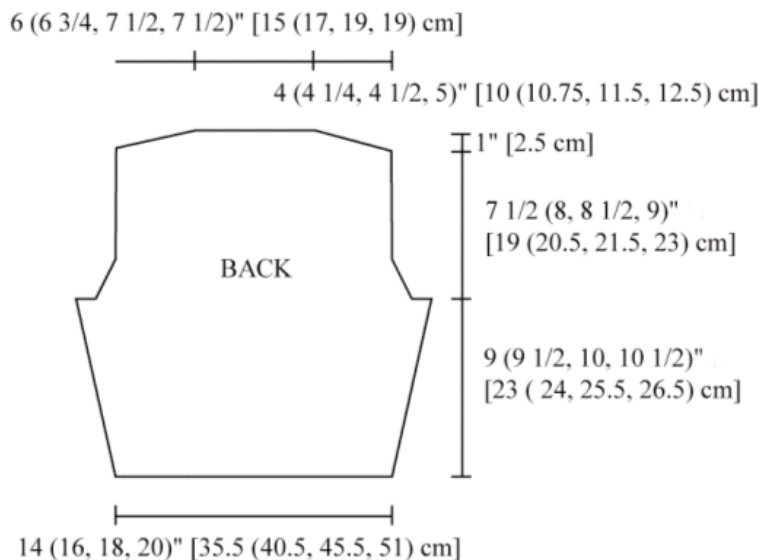
With smaller needles and MC, cast on 46 (52, 58, 66) sts. Work in garter stitch (knit every row) for 8 rows. Inc 1 st each side on next row, then every 10th row 5 more times – 58 (64, 70, 78) sts. Work even until piece measures approximately 9 (9½, 10, 10 ½) inches [23 (24, 25.5, 26.5) cm] from beg, end with a WS row.

### Shape Armhole

Bind off 3 (4, 5, 6) sts at beg of next 2 rows. Dec 1 st at each armhole every 4th row 2 (2, 2, 3) times, then every 6th row once – 46 (50, 54, 58) sts. Work even until armholes measure 7 1/2 (8, 8 1/2, 9) inches [19 (20.5, 21.5, 23) cm], end with a WS row.

### Shape Shoulder

Bind off 4 (5, 5, 6) sts at beg next 4 (4, 6, 4) rows, then 5 (4, 0, 5) stitches at beg of next 2 rows. Bind off remaining 20 (22, 24, 24) sts.



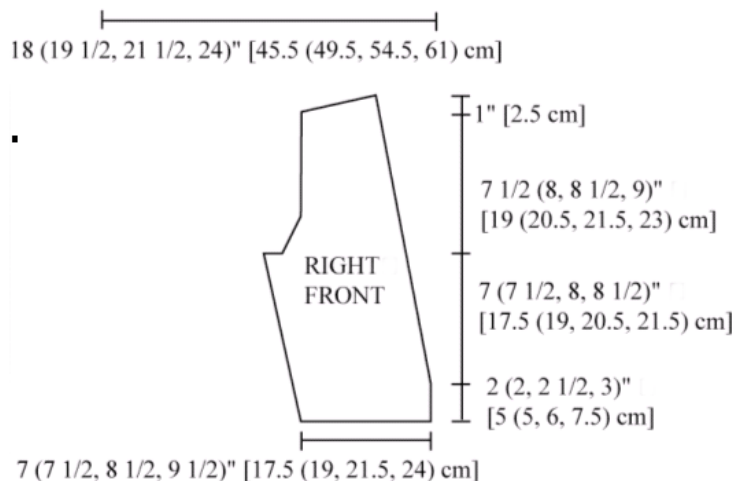
### RIGHT FRONT

With smaller needles and MC, cast on 23 (25, 27, 31) sts. Work in garter stitch for 8 rows. Inc 1 st at end of next row, repeat this inc every 10th row 5 more times, AT SAME TIME, when piece measures approx 2 (2, 2 1/2, 3) inches [5 (5, 6.5, 7.5) cm] from beg, end with a WS row.

**Shape Neck Next Row** Dec 1 stitch at beg of next row (for neck edge) then every 10th row 10 times, AT SAME TIME, when piece measures same as back, work armhole and shoulder shaping as for back.

### LEFT FRONT

Work as for right front, reversing shaping.

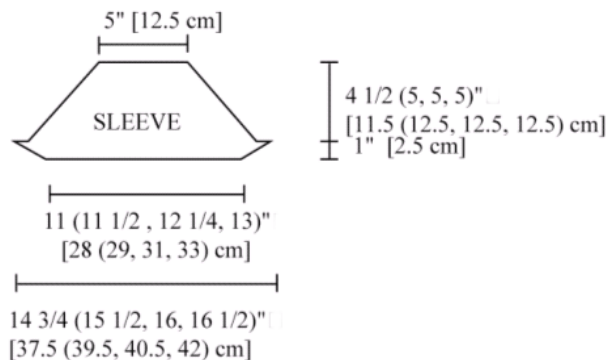


### SLEEVES

With smaller needles and MC, cast on 36 (38, 40, 42) stitches and work in garter stitch. Increase 1 stitch each edge every row 6 times – 48 (50, 52, 54) stitches.

### Shape Cap

Bind off 3 (4, 5, 6) stitches at beginning of next 2 rows. Decrease 1 stitch every 4th row 2 (3, 4, 5) times then every other row 11 (10, 9, 8) times. Bind off remaining 16 stitches.



### COLLAR

With larger needles and CC, cast on 68 (72, 76, 80) stitches. Work even in garter stitch for 12 rows, end with a WS row.

Bind off 4 (5, 5, 5) stitches at beg next 14 (2, 4, 6) rows then 0 (4, 4, 4) stitches beg next 0 (12, 10, 8) rows. Bind off remaining 12 (14, 16, 18) stitches.

### FINISHING

Join shoulder seams. Sew in sleeves. Sew side and sleeve seams. Sew bound-off edge of collar around neckline, easing to fit.

## Crochet Button Loop

With right side facing and crochet hook, join 2 strands of MC held together at right front neck edge. Make a chain long enough to wrap around button. Join with slip stitch in first chain to form a loop for buttonhole and fasten off. Sew on button to correspond to buttonhole.

<b>ABBREVIATIONS:</b>	
beg = begin(s)(ning)	st(s) = stitch(es)
inc = increas(e)(s)(ing)(e) (s) (ing)	WS = wrong side
RS = right side	

<b>ABBREVIATIONS / REFERENCES</b>	
Click for explanation and illustration	
<a href="#">beg = begin(s)(ning)</a>	<a href="#">RS = right side</a>
<a href="#">st(s) = stitch(es)</a>	<a href="#">WS = wrong side</a>

Learn to knit instructions:<http://www.lionbrand.com/learn/how-to-knit>

---

Every effort has been made to have the knitting and crochet instructions accurate and complete. We cannot be responsible for variance of individual knitters and crocheters, human errors, or typographical mistakes.

We want your project to be a success! If you need help with this or any other Lion Brand pattern, e-mail support is available 7 days per week. Just click [here](#) to explain your problem and someone will help you!

**For thousands of free patterns, visit our website [www.LionBrand.com](http://www.LionBrand.com)**

**To order visit our website [www.lionbrand.com](http://www.lionbrand.com) or call: (800) 258-YARN (9276) any time!**

**When in New York City, visit the Lion Brand Yarn Studio where we have the largest selection of our yarns  
anywhere and over 100 classes and events monthly.**

**34 West 15th Street, NY, NY 10011**

Copyright ©1998-2016 Lion Brand Yarn Company, all rights reserved. No pattern or other material may be reproduced -- mechanically, electronically, or by any other means, including photocopying -- without written permission of Lion Brand Yarn Company.