



Free Knitting Pattern
Lion Brand® Vanna's Choice® Baby
Phoebe Cardigan
Pattern Number: 80410AD



This adorable cardigan will look great on any little gal. Note: This pattern is for the cardigan only.

Free Knitting Pattern from Lion Brand Yarn

Lion Brand® Vanna's Choice® Baby

Phoebe Cardigan

Pattern Number: 80410AD

SKILL LEVEL: Easy

SIZE: 9 mos, 12 mos, 24 months (2 yrs)

Finished Chest 19 1/2 (22, 24) in. (49.5 (56, 61) cm)

Finished Length 9 1/2 (10 1/2, 11 1/2) in. (24 (26.5, 29.5) cm)

Note: Pattern is written for smallest size with changes for larger sizes in parentheses. When only one number is given, it applies to all sizes. To follow pattern more easily, circle all numbers pertaining to your size before beginning.

CORRECTIONS: None

MATERIALS

- 840-100 Lion Brand Vanna's Choice Baby: Angel White
2 (3, 3) Balls
- Lion Brand Knitting Needles- Size 9 [5.5 mm]
- Lion Brand Knitting Needles - Size 10 [6 mm]
- Lion Brand Stitch Holders
- Lion Brand Stitch Markers
- Large-Eyed Blunt Needles
- Additional Materials
4 buttons, 1 in. (25 mm) diameter

GAUGE:

15 sts + 32 rows = 4 in. (10 cm) in Garter st (knit every row). BE SURE TO CHECK YOUR GAUGE. When you match the gauge in a pattern, your project will be the size specified in the pattern and the materials specified in the pattern will be sufficient. If it takes you less stitches and rows to make a 4 in. [10 cm] square, try using a smaller size hook or needles; if more stitches and rows, try a larger size hook or needles.

STITCH EXPLANATION:

PATTERN STITCH

K1, p1 Rib (odd # of sts)

Row 1 (WS): P1, *k1, p1; rep from *.

Row 2: K the knit sts and p the purl sts.

Rep Row 2 for k1, p1 Rib.

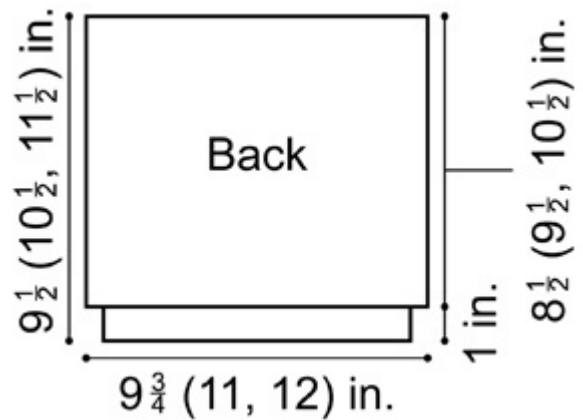
CARDIGAN

BACK

With smaller needles, cast on 37 (41, 45) sts and work in k1, p1 Rib for 1 in. (2.5 cm). Change to larger needles and work in Garter st until Back measures 9 1/2 (10 1/2, 11 1/2) in. (24 (26.5, 29) cm) from beg. Bind off.

Pocket Lining (make 2)

With larger needles, cast on 11 sts. Work in Garter st for 2 in. (5 cm). Transfer sts to st holder.



RIGHT FRONT

With smaller needles, cast on 23 (25, 27) sts and work in k1, p1 Rib for 1 in. (2.5 cm). Change to larger needles and work in Garter st until Right Front measures 3 in. (7.5 cm) from beg, end with a WS row.

Pocket Welt

Next Row (RS): K6 (7, 8) sts, p1, (k1, p1) 5 times, k6 (7, 8).

Next Row: K6 (7, 8) sts, k1, (p1, k1) 5 times, k6 (7, 8). Rep last 2 rows once more.

Next Row: K6 (7, 8) sts, bind off 11 sts, k to end.

Next Row: K6 (7, 8) sts, knit 11 sts of one Pocket Lining from holder, k to end of row.

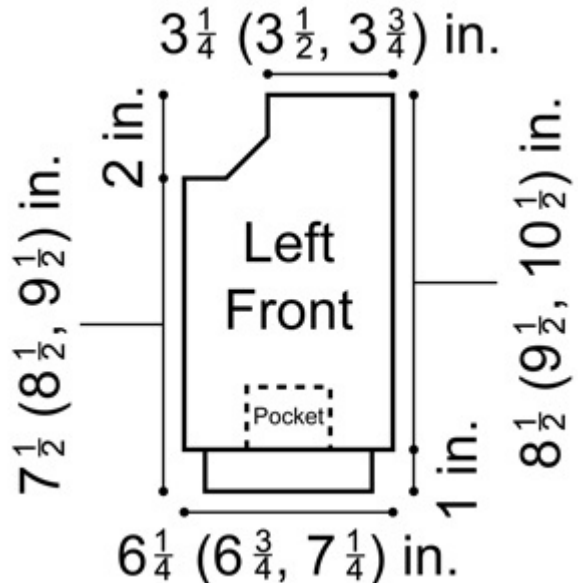
Work even until Right Front measures 7 $\frac{1}{2}$ (8 $\frac{1}{2}$, 9 $\frac{1}{2}$) in. (19 (21.5, 24) cm), end with a WS row.

Neck Shaping

Next Row (RS): Bind off 5 (6, 7) sts, k to end of row – 18 (19, 20) sts.

Decrease 1 st at neck edge every row 6 times – 12 (13, 14) sts. Work even until Right Front measures 9 $\frac{1}{2}$ (10 $\frac{1}{2}$, 11 $\frac{1}{2}$) in. (24.5 (26.5, 29) cm) from beg. Bind off.

Mark placement for 4 buttons: first button just above ribbing, top button $\frac{1}{2}$ in. (1.5 cm) below neck shaping, and 2 evenly spaced between.



LEFT FRONT

Work as for Right Front, reversing all shaping, AT THE SAME TIME, work buttonholes opposite markers on RS rows as follows:

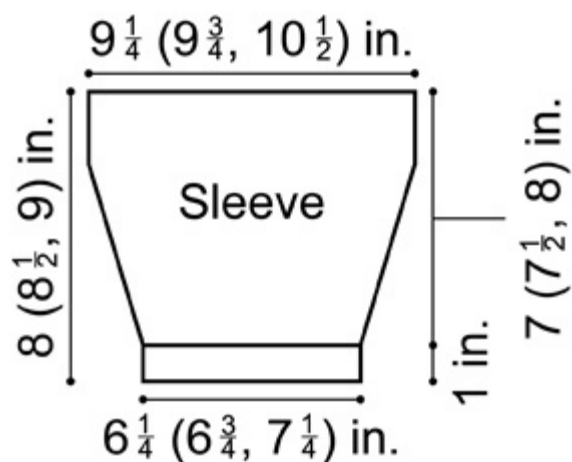
Buttonhole Row (RS): K to last 4 sts, yarn over, k 2 sts together, k2.

SLEEVE (make 2)

With smaller needles, cast on 23 (25, 27) sts and work 6 rows in k1, p1 Rib.

Change to larger needles and work in Garter st, increasing 1 st each end of every 8th row 6 times – 35 (37, 39) sts.

Work even until Sleeve measures 8 (8 $\frac{1}{2}$, 9) in. (20.5 (21.5, 23) cm) from beg. Bind off.



FINISHING

Sew shoulder seams.

Neckband

From RS with smaller needles, pick up and k 19 (20, 21) sts along Right Front neck edge, 15 (17, 17) sts across Back neck, and 19 (20, 21) along Left Front neck edge – 53 (57, 59) sts. Work in k1, p1 Rib for 1 in. (2.5 cm). Bind off.

Left Front Edging

From RS with smaller needles, pick up and k 4 sts along side of neckband, pick up and k 1 st in each ridge of Garter st, and 4 sts along bottom ribbing. Bind off.

Right Front Edging

From RS with smaller needles, pick up and k 4 sts along bottom ribbing, pick up and k 1 st in each ridge of Garter st, and 4 sts along side of neckband. Bind off.

Sew Pocket Linings to WS of Fronts. Sew Sleeves to body. Sew side and Sleeve seams. Weave in ends. Sew buttons opposite buttonholes.

ABBREVIATIONS / REFERENCES	
Click for explanation and illustration	
beg = begin(s)(ning)	k = knit
p = purl	rep = repeat(s)(ing)
RS = right side	st(s) = stitch(es)
WS = wrong side	

Learn to knit instructions: <http://learnToKnit.LionBrand.com>

Every effort has been made to have the knitting and crochet instructions accurate and complete. We cannot be responsible for variance of individual knitters and crocheters, human errors, or typographical mistakes.

We want your project to be a success! If you need help with this or any other Lion Brand pattern, e-mail support is available 7 days per week. Just click [here](#) to explain your problem and someone will help you!

For hundreds of free patterns, visit our website www.LionBrand.com

To order visit our website www.e-yarn.com or call: (800) 258-YARN (9276) any time!

Copyright ©1998-2005 Lion Brand Yarn Company, all rights reserved. No pattern or other material may be reproduced -- mechanically, electronically, or by any other means, including photocopying -- without written permission of Lion Brand Yarn Company. If you would like to send a copy of this page to someone, click [here](#) and we will be happy to do it for you.