



Free Knitting Pattern
Lion Brand® Vanna's Glamour®
Multi Strand Top
Pattern Number: L0662



Free Knitting Pattern from Lion Brand Yarn
Lion Brand® Vanna's Glamour®
Multi Strand Top
Pattern Number: L0662

SKILL LEVEL: Experienced

SIZE: One Size

Finished Bust 38 in. (96.5 cm)

Finished Length 21 in. (53.5 cm), hemmed

CORRECTIONS: None as of Sep 8, 2012. To check for later updates, click [here](#).

MATERIALS

- 861-153 Lion Brand Vanna's Glamour: Onyx
5 Balls (A)
- 861-186 Lion Brand Vanna's Glamour Yarn: Bronze
4 Balls (B)
- 861-149 Lion Brand Vanna's Glamour Yarn: Moonstone
3 Balls (C)
- 861-151 Lion Brand Vanna's Glamour Yarn: Grey Stone
3 Balls (D)
- 861-134 Lion Brand Vanna's Glamour: Copper
4 Balls (E)
- 861-113 Lion Brand Vanna's Glamour: Ruby Red
5 Balls (F)
- 861-171 Lion Brand Vanna's Glamour Yarn: Gold
3 Balls (G)
- Boye Aluminum Circular Knitting Needles 36 inches Size 10
- Lion Brand Large-Eye Blunt Needles (Set of 6)

GAUGE:

16 sts + 24 rows = 4 in. (10 cm) in Mistake st with 3 strands of yarn held tog;

14 sts + 24 rows = 4 in. (10 cm) in Diagonal Mistake st with 3 strands of yarn held tog.

BE SURE TO CHECK YOUR GAUGE. When you match the gauge in a pattern, your project will be the size specified in the pattern and the materials specified in the pattern will be sufficient. If it takes you fewer stitches and rows to make a 4 in. [10 cm] square, try using a smaller size hook or needles; if more stitches and rows, try a larger size hook or needles.

STITCH EXPLANATION:

ssk (slip, slip, knit) Slip next 2 sts as if to knit, one at a time, to right needle; insert left needle into fronts of these 2 sts and knit them tog - 1 st decreased.

PATTERN STITCHES

Mistake st (multiple of 4 sts + 1)

Row 1 (RS): *K2, p2; rep from * to last st, k1.

Row 2: *P2, k2; rep from * to last st, p1.

Rep Rows 1 and 2 for Mistake st.

Diagonal Mistake st (multiple of 4 sts)

Row 1 (RS): *K2, p2; rep from * to end of row.

Row 2: *K2, p2; rep from * to end of row.

Row 3: K1, *p2, k2; rep from * to last 3 sts, p2, k1.

Row 4: P1, *k2, p2; rep from * to last 3 sts, k2, p1.

Row 5: *P2, k2; rep from * to end of row.

Row 6: Rep Row 5.

Row 7: Rep Row 4.

Row 8: Rep Row 3.

Rep Rows 1-8 for Diagonal Mistake st.

NOTES:

1. Circular needle is used to accommodate large number of sts. Work back and forth on circular needle as if working on straight needles.
2. Wrap is worked in six pieces: 2 Fronts, 2 Sleeves, Back and Collar.
3. Pieces are worked with 3 strands of yarn held tog, following Color Sequence. When finishing a piece, note the last color combination used. Beg next piece with next color combination of Color Sequence.
4. Pieces for model were worked in following order: Collar, Right Front, Left Front, Back, Back Sleeve, Front Sleeve. Pieces can be worked in a different order, but this may change the yarn quantities needed for each color.
5. When you see 'as established' in the instructions, this means to continue in the current pattern st.
6. When you see 'work even' in the instructions, this means to continue on in the pattern st you have established without changing the st count by increasing, decreasing, or binding off.

COLOR SEQUENCE

Work 6 rows with each of following 14 color combinations: *2 strands of A and 1 strand of E.

1 strand each of A, B, and E.

1 strand each of A, C, and E.

1 strand each of A, C, and D.

2 strands of D and 1 strand of F.

1 strand each of C, D, and F.

2 strands of C, and 1 strand of F.

1 strand each of C, F, and G.

2 strands of G, and 1 strand of F.

1 strand each of D, F, and G.

2 strands of B, and 1 strand of F.

1 strand each of B, E, and F.

2 strands of E, and 1 strand of F.

1 strand each of A, E, and F.

Rep from * for Color Sequence.

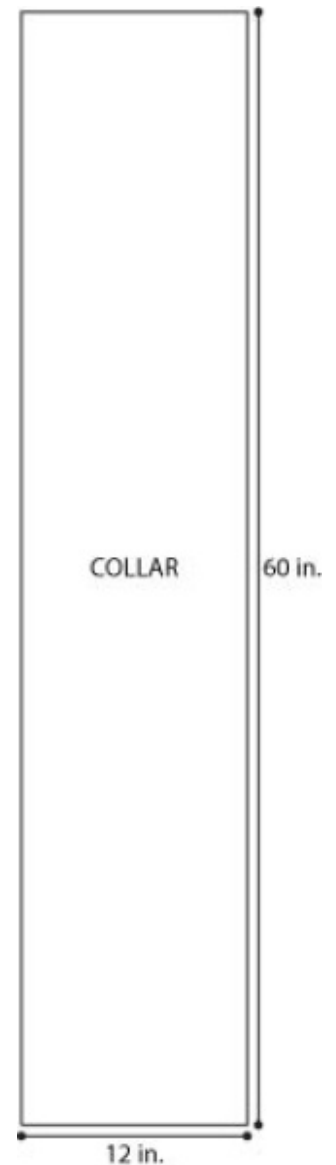
COLLAR

With first color combination, cast on 49 sts.

Continue to change color every 6 rows according to Color Sequence.

Work in Mistake st until piece measures 60 in. (152.5 cm) from beg.

Bind off.



RIGHT FRONT

With next color combination, cast on 77 sts.

Continue to change color every 6 rows according to Color Sequence. Work in Mistake st until piece measures 6 in. (15 cm) from beg, end with a RS row.

Shape Sleeve

Next Row (WS): Cast on 3 sts, work in pattern as established to end of row - 80 sts at the end of this row.

Work even in pattern as established for 1 row.

Rep last 2 rows once more - 83 sts when cast-on is completed.

Next Row (WS): Cast on 2 sts, work in pattern as established to end of row - 85 sts at the end of this row.

Work even in pattern as established for 2 rows.

Shape Neck

***Next Row (RS):** Bind off 2 sts, work in pattern as established to end of row - 83 sts at the end of this row.

Work even in pattern as established for 1 row.

Decrease Row (RS): Work first st, k2tog, work in pattern as established to end of row - 82 sts at the end of this row.

Work even in pattern as established for 1 row.

Rep Decrease Row - 81 sts at the end of this row.

Work even in pattern as established for 1 row.

Rep Decrease Row - 80 sts at the end of this row.

Work even in pattern as established for 1 row.

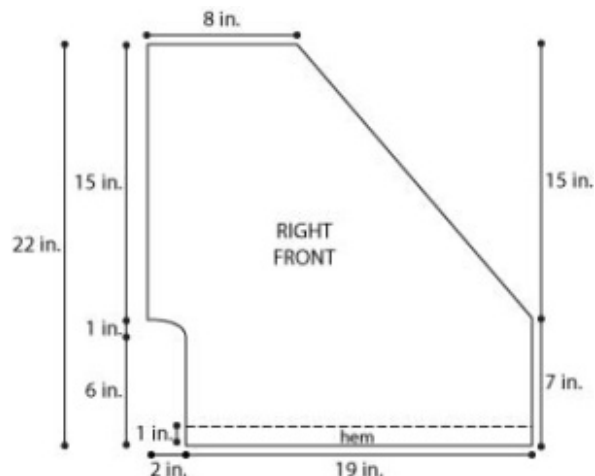
Rep last 8 rows (beg at *) 9 more times - 35 sts rem.

Next Row (RS): Bind off 2 sts, work in pattern as established to end of row - 33 sts at the end of this row.

Work even in pattern as established for 1 row.

Decrease Row (RS): Work first st, k2tog, work in pattern as established to end of row - 32 sts at the end of this row.

Work even in pattern as established until piece measures 22 in. (56 cm) from beg. Bind off.



LEFT FRONT

With next color combination, cast on 77 sts.

Continue to change color every 6 rows according to Color Sequence. Work in Mistake st until piece measures 7 in. (18 cm) from beg, end with a WS row.

Shape Raglan and Neck Edges

Next Row (RS): Bind off 4 sts, work in pattern as established to last 3 sts, ssk, work last st - 72 sts at the end of this row.

Work even in pattern as established for 1 row.

***Next Row:** Work in pattern as established to last 3 sts, ssk, work last st - 71 sts at the end of this row.

Work even in pattern as established for 1 row.

Next Row: Work first st, k2tog, work in pattern as established to last 3 sts, ssk, work last st - 69 sts at the end of this row.

Work even in pattern as established for 1 row.

Next Row: Work first st, k2tog, work in pattern as established to last 3 sts, ssk, work last st - 67 sts at the end of this row.

Work even in pattern as established for 1 row.

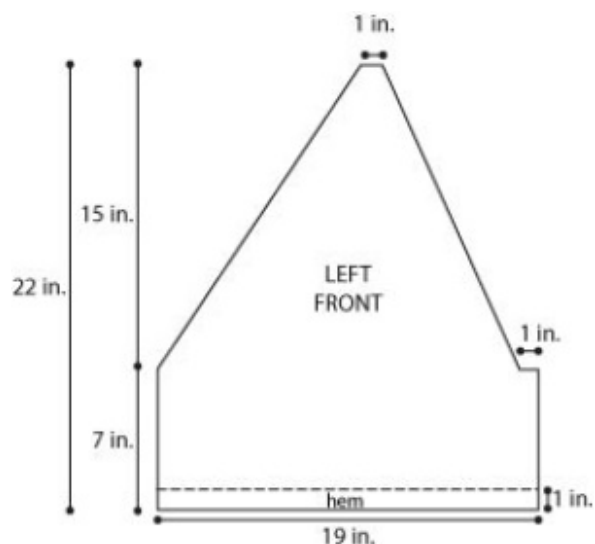
Rep last 6 rows (beg at *) until 7 sts rem.

Next Row: Work in pattern as established to last 3 sts, ssk, work last st - 6 sts at the end of this row.

Work even in pattern as established for 1 row.

Next Row: Work first st, k2tog, work in pattern as established to last 3 sts, ssk, work last st - 4 sts at the end of this row.

Work even in pattern as established until piece measures 22 in. (56 cm) from beg. Bind off.



BACK

With next color combination, cast on 64 sts.

Continue to change color every 6 rows according to Color Sequence.

Work in Diagonal Mistake st until piece measures 6 in. (15 cm) from beg, end with a WS row.

Shape Sleeve

Next Row (RS): Cast on 3 sts, work in pattern as established to end of row - 67 sts at the end of this row.

Work even in pattern as established for 1 row.

Next Row: Cast on 2 sts, work in pattern as established to end of row - 69 sts at the end of this row.

Work even in pattern as established for 1 row.

Rep last 2 rows once more - 71 sts when all increases are completed.

Work even in pattern as established for 1 row.

Shape Raglan Edge

Next Row (WS): Bind off 4 sts, work in pattern as established to end of row - 67 sts at the end of this row.

Work even in pattern as established for 2 rows.

Decrease Row (RS): Work in pattern as established across to last 3 sts, ssk, work last st - 66 sts at the end of this row.

*Work even in pattern as established for 1 row.

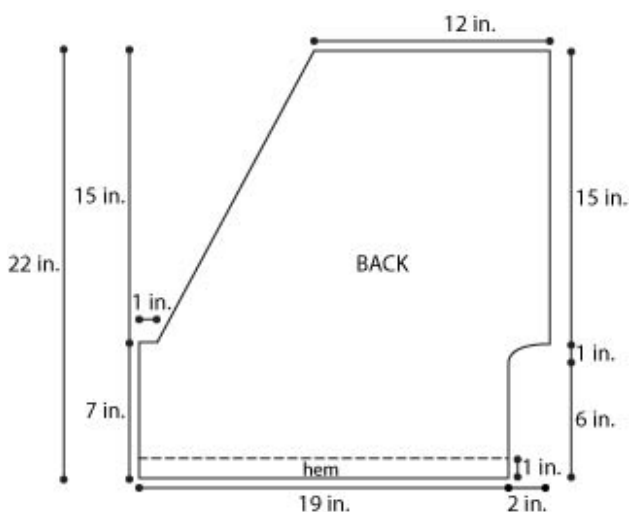
Rep Decrease Row - 65 sts at the end of this row.

Work even in pattern as established for 3 rows.

Rep Decrease Row - 64 sts at the end of this row.

Rep last 6 rows (beg at *) until 40 sts rem.

Work even in pattern as established until piece measures 22 in. (56 cm) from beg. Bind off.



BACK SLEEVE

With next color combination, beg at outer edge of sleeve, cast on 52 sts.

Continue to change color every 6 rows according to Color Sequence.

Work in Diagonal Mistake st until piece measures 7 in. (18 cm) from beg, end with a WS row. **Note:** End with a WS row means that the last row you work should be a WS row, and the next row that you are ready to work will be a RS row.

Shape Raglan Edge

Row 1 (RS): Work first st, k2tog, work in pattern as established to end of row - 51 sts at the end of this row.

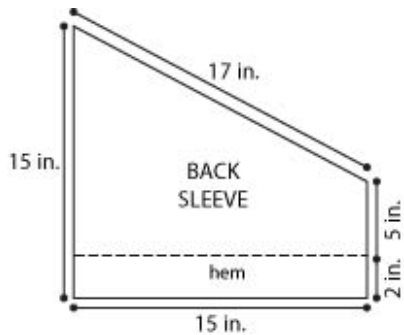
Row 2 (WS): Work in pattern as established to last 3 sts, p2tog, work last st - 50 sts at the end of this row.

Rep last 2 rows until 4 sts rem.

Rep Row 1 - 3 sts at the end of this row.

Next Row (WS): K3tog.

Fasten off.



FRONT SLEEVE

With next color combination, beg at outer edge of sleeve, cast on 52 sts.

Continue to change color every 6 rows according to Color Sequence.

Work in Diagonal Mistake st until piece measures 7 in. (18 cm) from beg, end with a WS row.

Shape Raglan Edge

Row 1 (RS): Work in pattern as established to last 3 sts, ssk, work last st - 51 sts at the end of this row.

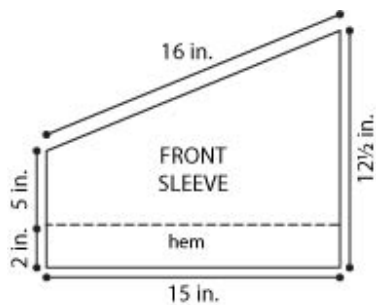
Row 2 (WS): Bind off 2 sts, work in pattern as established to end of row - 49 sts at the end of this row.

Rep last 2 rows until 4 sts rem.

Rep Row 1 - 3 sts at the end of this row.

Next Row (WS): K3tog.

Fasten off.

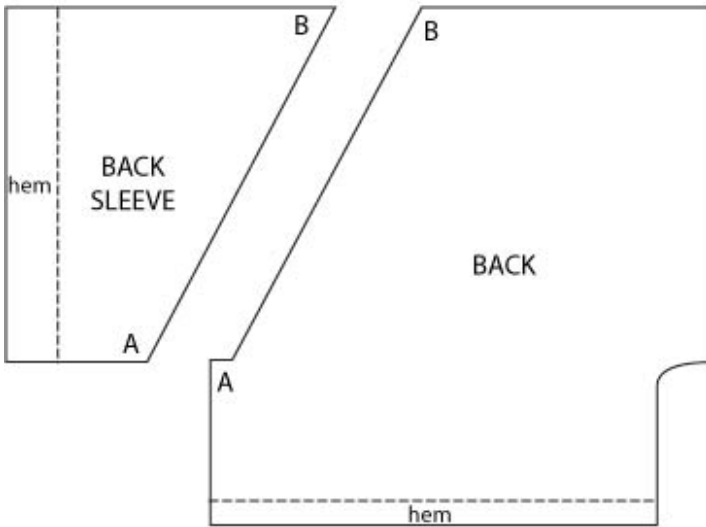


FINISHING

Note: Refer to assembly diagrams for first 3 assembly steps.

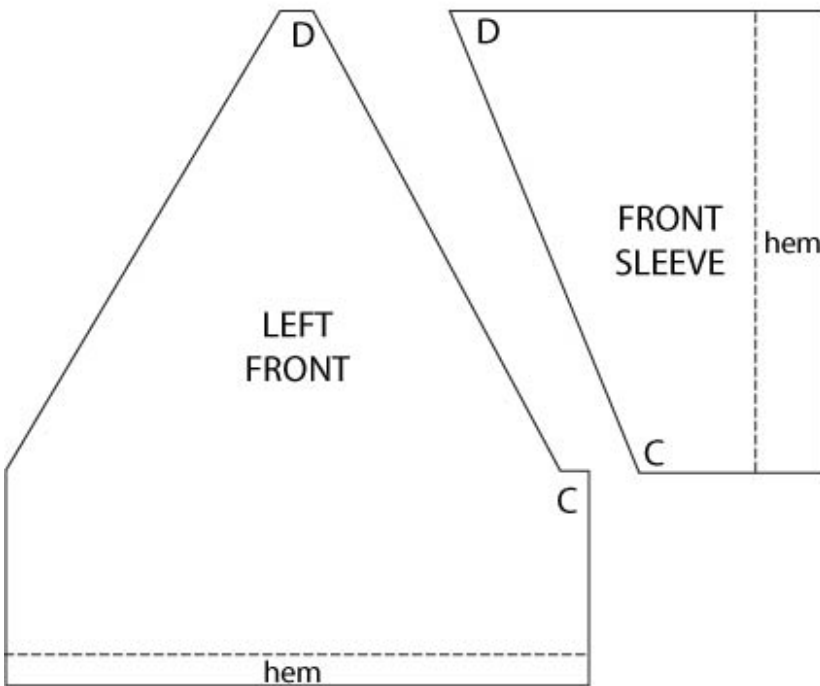
1. Sew Back Sleeve to Back (between points A and B).

1. Sew Back Sleeve to Back



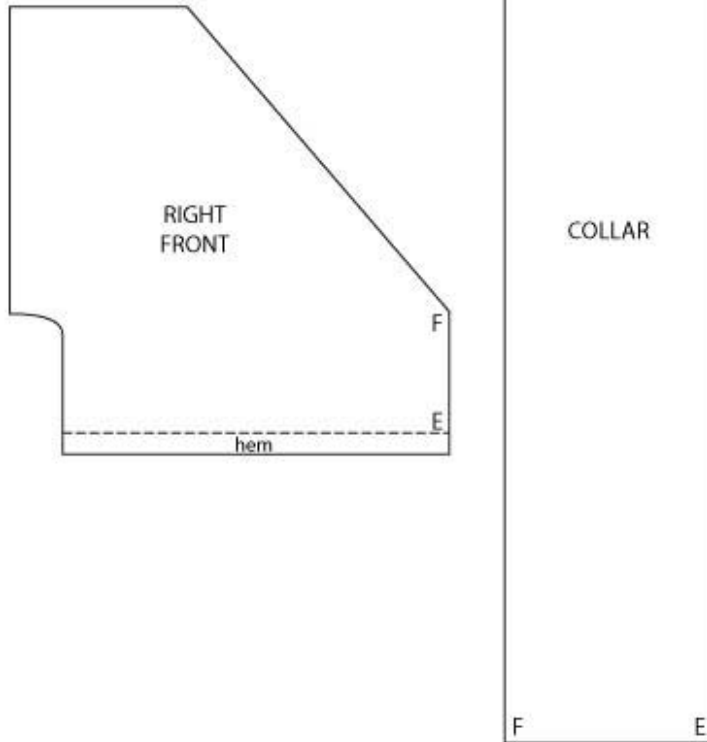
2. Sew Front Sleeve to Left Front (between points C and D). Sew shoulder seams.

2. Sew Front Sleeve to Left Front. Sew shoulder seams.



3. Match points E and F of Collar and Right Front. Pin pleats in Collar, so that edge of Collar fits between points E and F. Sew edge in place.

3. Match points E and F of Collar and Right Front. Pin pleats in Collar, so that edge of Collar fits between points E and F. Sew edge in place.



4. Right Cuff

From RS, with next color combination, pick up and knit 121 sts evenly spaced across right sleeve edge. Work in Mistake Rib until cuff measures about 4 in. (10 cm). Bind off.

5. Sew long edge of Collar along Right Front, Back, and Left Front neck edges.

6. Sew side and Sleeve seams.

7. Wrap Right Front over Left Front. Sew side edge of Right Front to side edge of Left Front, sewing through both Fronts and Collar.

8. Fold hems of Sleeves, Back and Fronts to WS and sew in place.

Weave in ends.

ABBREVIATIONS / REFERENCES	
Click for explanation and illustration	
<u>beg</u> = begin(s)(ning)	<u>k</u> = knit
<u>k2tog</u> = knit 2 together	<u>k3tog</u> = knit 3 together
<u>p</u> = purl	<u>p2tog</u> = purl 2 together
<u>rem</u> = remain(s)(ing)	<u>rep</u> = repeat(s)(ing)
<u>RS</u> = right side	<u>St st</u> = Stockinette stitch
<u>st(s)</u> = stitch(es)	<u>WS</u> = wrong side

Every effort has been made to have the knitting and crochet instructions accurate and complete. We cannot be responsible for variance of individual knitters and crocheters, human errors, or typographical mistakes.

**Vanna's Glamour® (Article #861). 96% Acrylic, 4% Metallic Polyester ; package size: 1.75oz/49.61 gr. (202yds/185m) pull skeins*



We want your project to be a success! If you need help with this or any other Lion Brand pattern, e-mail support is available 7 days per week. Just click [here](#) to explain your problem and someone will help you!

**For thousands of free patterns, visit our website www.LionBrand.com
To order visit our website www.lionbrand.com or call: (800) 258-YARN (9276) any time!**

Copyright ©1998-2011 Lion Brand Yarn Company, all rights reserved. No pattern or other material may be reproduced -- mechanically, electronically, or by any other means, including photocopying -- without written permission of Lion Brand Yarn Company.