



Free Knitting Pattern
Lion Brand® Wool-Ease® - Romance® - Bonbons
Embellished Pullover
Pattern Number: L32141



Free Knitting Pattern from Lion Brand Yarn

Lion Brand® Wool-Ease® - Romance® - Bonbons® Embellished Pullover

Pattern Number: L32141

SKILL LEVEL: Easy + (Level 3)

SIZE: One Size

Finished Bust About 60 in. (152.5 cm)

Finished Length About 25 in. (63.5 cm)

CORRECTIONS: None as of Feb 28, 2014. To check for later updates, click [here](#).

MATERIALS

- 620-167 [Lion Brand Wool-Ease Yarn: Eggplant](#)
7 Balls (A)
- 325-189 [Lion Brand Romance Yarn: Merlot](#)
1 Ball (B)
- 601-660 [Lion Brand Bonbons Yarn: Celebrate](#)
1 Ball
- [Clover Bamboo Circular Knitting Needles 36" Size 9](#)
- [Lion Brand Crochet Hook - Size I-9](#)
- [Lion Brand Split Ring Stitch Markers](#)
- [Lion Brand Large-Eye Blunt Needles \(Set of 6\)](#)
- Additional Materials
Circular knitting needle size 9 (5.5 mm), 24 in. (61 cm) long

**Wool-Ease® (Article #620).*

- *Solid, Heather, Twist: 80% acrylic, 20% wool*
- *Sprinkles, Wheat, Mushroom, Rainbow Mist: 86% acrylic, 10% wool, 4% rayon*
- *Glitter/Multi-colors: 78% acrylic, 19% wool, 3% polyester*
- *Frosts: 70% acrylic, 20% wool, 10% polyamide*
- *Prints: 80% acrylic, 20% wool*

*; package size: **Solid, Heather, Twist:** 3 oz/85g; 197 yd/180m balls*

***Sprinkles, Wheat, Mushroom, Rainbow Mist:** 3 oz/85g; 197 yd/180m balls*

***Glitter/Multi-colors:** 2.5 oz./70g; 162 yd/146m balls*

***Frosts:** 2.5 oz./70g; 162 yd/146m balls*

***Prints:** 2.5 oz/70g; 162 yd/146m balls*

**Romance® (Article #325). 84% Nylon, 16% Polyester; package size: 1.75oz/50.00 gr. (27yds/25m) pull skeins*

**Bonbons (Article #601).*

***Cotton:** 100% Cotton. **Care:** Machine Wash Cool, Gentle Cycle, Do Not Bleach, Dry Flat, Low Iron, Dry Clean Any Solvent Except Trichloroethylene.*

***Acrylic:** 100% Acrylic. **Care:** Machine Wash and Dry, Do Not Bleach, Do Not Iron, Tumble Dry Normal, Dry Clean and Solvent Except*



Trichloroethylene.

Metallic: 96% Acrylic, 4% Metallic Polyester.

Care: Machine Wash Cool, Lay Flat to Dry, Do Not Bleach, Do Not Iron, Dry Clean Any Solvent Except Trichloroethylene.; package

size: **Cotton:** Weight Category 2: Sport Weight

8 x .35oz/10g

8 x 28yd/26m

Acrylic: Weight Category 3: DK Weight

8 x .35oz/10g

8 x 28yd/26m

Metallic: Weight Category 2: Sport Weight

8 x .35oz/10g

8 x 38.3 yd/35m

GAUGE:

16 sts + 22 rows = 4 in. (10 cm) in St st (k on RS, p on WS).

When you match the gauge in a pattern, your project will be the size specified in the pattern and the materials specified in the pattern will be sufficient. The needle or hook size called for in the pattern is based on what the designer used, but is not unusual for gauge to vary from person to person. If it takes you fewer stitches and rows to make your swatch, try using a smaller size hook or needles; if more stitches and rows, try a larger size hook or needles.

Making a Gauge Swatch

STITCH EXPLANATION:

kfb (knit into front and then back)

An increase worked as follows:

1. Knit the next st through the front loop, but do not remove the st from your left hand needle.
2. Knit the same st once more, this time inserting your needle through the back loop of the st. You will have created 2 loops (sts) on your right hand needle.
3. Drop the st from your left hand needle - you have increased 1 st.

PATTERN STITCHES

K2, p2 Rib (multiple of 4 sts + 2)

Row 1: K2, *p2, k2; rep from * to end of row.

Row 2: K the knit sts and p the purl sts.

Rep Row 2 for K2, p2 Rib.

K2, p2 Rib worked in rnds (multiple of 4 sts)

Rnd 1: *K2, p2; rep from * to end of rnd.

Rep Rnd 1 for K2, p2 Rib worked in rnds.

NOTES:

1. Pullover is worked in 6 pieces, Front and Back, 2 Sleeves and 2 Lower Panels.
2. A circular needle is used to accommodate the large number of sts.
3. Flowers are worked in duplicate st, following the chart, onto completed Lower Panels.
4. End with a WS row means that the last row you work should be a WS row, and the next row that you are ready to work will be a RS row.
5. When you see '- 12 sts' in the instructions, this lets you know how many sts you will have at the end of that specific row.

Colors for Bonbons yarns

Hot Pink (C)
Red (D)
Emerald (E)
Pea Green (F)
Light Bue (G)

BACK

With longer circular needle and A, cast on 120 sts.
Working back and forth on circular needle as if working on straight needles, knit 2 rows.
Work in St st (k on RS, p on WS) until piece measures about 12 in. (30.5 cm) from beg. Mark each end of last row for armholes.
Continue in St st until piece measures 18 in. (45.5 cm) from beg.
Bind off.

FRONT

Work as for Back until piece measures 15 in. (38 cm) from beg, end with a WS row as your last row.

Shape Neck

Next Row (RS): K45, join a 2nd ball of yarn and bind off 30 sts, k to end of row – 45 sts rem each side.

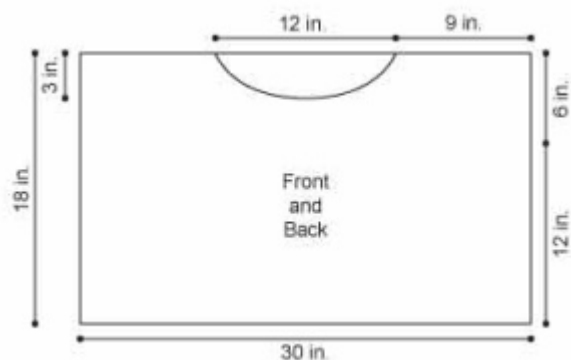
Next Row: On first side, p across; on second side, bind off 2, p to end.

Next Row: On first side, k across; on second side, bind off 2, k to end.

Rep last 2 rows 4 more times – 35 sts rem each side.
Continue in St st until piece measures same length as Back.
Bind off rem 35 sts each side.

LOWER PANELS (make 2)

With longer circular needle and A, cast on 120 sts.
Knit 2 rows.
Work in St st until piece measures 7 in. (15 cm) from beg.
Knit 2 rows.
Bind off.



SLEEVES (make 2)

With shorter circular needle and A, cast on 42 sts.

Work in K2, p2 rib worked in rows for 3 in. (7.5 cm).

Change to St st and, beg with a RS row, work 4 rows.

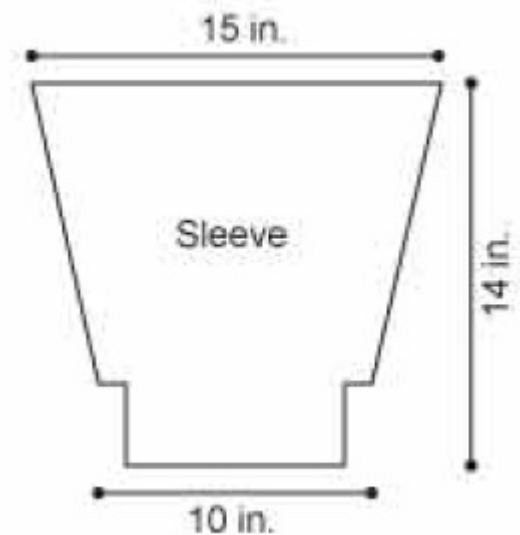
Next (Increase) Row (RS): K1, kfb, k to last 2 sts, kfb, k1 – 44 sts.

Work 3 rows in St st.

Rep last 4 rows until you have 60 sts.

Work even in St st until piece measures 14 in. (35.5 cm) from beg.

Bind off.



FINISHING

Seam shoulders. Sew Sleeves to Front and Back between armhole markers. Sew Sleeve and side seams. Following Chart, work duplicate st flowers onto Lower Panels.

Neckband

From RS with shorter circular needle and A, beg at one shoulder seam, pick up and knit 124 sts evenly spaced around neck. Place marker for beg of rnd and join by working the first st on the left hand needle with the working yarn from the right hand needle.

Work in K2, p2 rib worked in rnds for 1 1/2 in. (4 cm).

Bind off.

Lower Edge Trim

From RS with crochet hook, join B with a sl st in one side seam, work sc evenly spaced around lower edge of Pullover, join with st st in beg sc. Fasten off.

Lower Panel Trim

From RS with crochet hook, join B with a sl st along lower edge of one Lower Panel.

Work sc evenly spaced around all four sides of Lower Panel, join with sl st in first st.

Fasten off.

Rep on second Lower Panel.

Place 5 markers on top edge of one Lower Panel: one marker 1/2 in. (1.5 cm) in from each side edge, one marker at center, 2 remaining markers evenly spaced between. Place markers in same positions along lower edge of Back.

Sew Lower Panel to Back at marked points, leaving remainder of Lower Panel unsewn.

Rep with second Lower panel on Front.

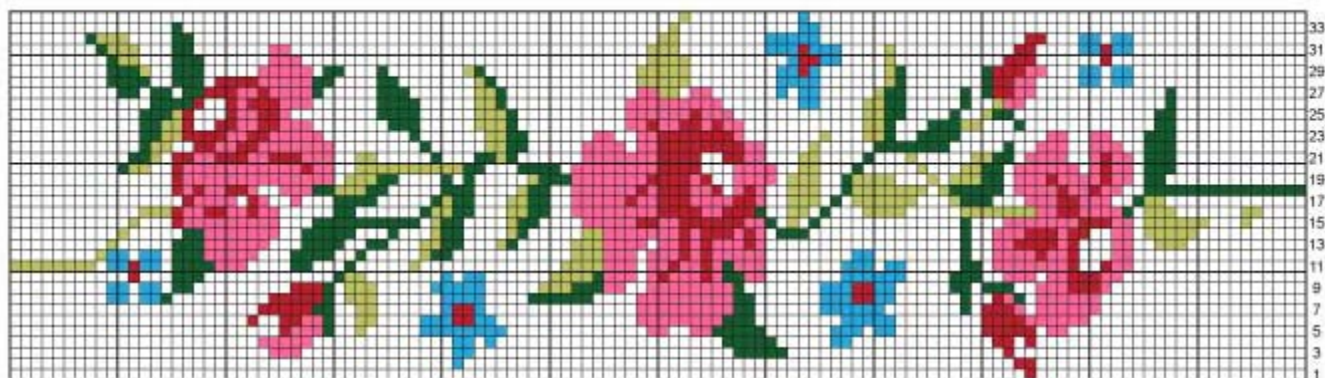
Do not seam side edges of Lower Panels.

With crochet hook and B, make a chain long enough to fit around Sleeve above rib. Sew chain to Sleeve.

Rep for second Sleeve.

With crochet hook and B, make a chain long enough to fit around neck, just below neckband. Sew chain around neck.

Weave in ends.



Stitch Key

- = A
- = C
- = D
- = E
- = F
- = G

ABBREVIATIONS / REFERENCES

Click for explanation and illustration

<u>beg = begin(s)(ning)</u>	<u>inc = increas(e)(s)(ing)</u>
<u>k = knit</u>	<u>p = purl</u>
<u>rem = remain(s)(ing)</u>	<u>rep = repeat(s)(ing)</u>
<u>rnd(s) = round(s)</u>	<u>RS = right side</u>
<u>sc = single crochet</u>	<u>sl = slip</u>
<u>sl st = slip stitch</u>	<u>St st = Stockinette stitch</u>
<u>st(s) = stitch(es)</u>	<u>WS = wrong side</u>

Learn to knit instructions: <http://learnToKnit.LionBrand.com>

Every effort has been made to have the knitting and crochet instructions accurate and complete. We cannot be responsible for variance of individual knitters and crocheters, human errors, or typographical mistakes.

We want your project to be a success! If you need help with this or any other Lion Brand pattern, e-mail support is available 7 days per week. Just click [here](#) to explain your problem and someone will help you!

For thousands of free patterns, visit our website www.LionBrand.com

To order visit our website www.lionbrand.com or call: (800) 258-YARN (9276) any time!

When in New York City, visit the Lion Brand Yarn Studio where we have the largest selection of our yarns anywhere and over 100 classes and events monthly.

34 West 15th Street, NY, NY 10011

Copyright ©1998-2013 Lion Brand Yarn Company, all rights reserved. No pattern or other material may be reproduced -- mechanically, electronically, or by any other means, including photocopying -- without written permission of Lion Brand Yarn Company.