



Free Knitting Pattern
Lion Brand® Modern Baby®
Circus Sweater
Pattern Number: L401523



Your little one will love how this intarsia knit sweater reminds them of the circus! Knit the [matching hat](#), [scarf](#), and [afghan](#) for a complete set. *Designed by Amy Bahrt*

Free Knitting Pattern from Lion Brand Yarn

Lion Brand® Modern Baby®

Circus Sweater

Pattern Number: L401523

SKILL LEVEL: Intermediate (Level 3)

SIZE: 24 months (2 yrs), Child 4, Child 6

2 years (4 years, 6 years)

Finished Chest 26 (29, 31) in. (66 (73.5, 79) cm)

Finished Length 14 1/2 (16, 18) in. (37 (40.5, 45.5) cm)

Note: Pattern is written for smallest size with changes for larger sizes in parentheses. When only one number is given, it applies to all sizes. To follow pattern more easily, circle all numbers pertaining to your size before beginning.

CORRECTIONS: None as of Oct 3, 2016. To check for later updates, click [here](#).

MATERIALS

- 924-130 Lion Brand Modern

Baby: Green

1 1, 1 Ball (A)

- 924-109 Lion Brand Modern

Baby: Blue

1 1, 1 Ball (B)

- 924-113 Lion Brand Modern

Baby: Red

1 2, 2 Ball (C)

- 924-158 Lion Brand Modern

Baby: Yellow

1 1, 1 Ball (D)

- 924-153 Lion Brand Modern

Baby: Black

1 1, 1 Ball (E)

- Lion Brand Knitting Needles-

Size 4 [3.5 mm]

- Lion Brand Knitting Needles-

Size 6 [4.00 mm]

- Lion Brand Crochet Hook -

Size G-6 (4 mm)

- Lion Brand Stitch Holders

- Lion Brand Large-Eye Blunt

Needles (Set of 6)

- Additional Materials

Sewing needle and neutral color sewing thread

**Modern Baby (Article #924). 50% Acrylic, 50% Nylon; package size: 2.60oz/75.00 gr. (173yds/158m) pull skeins*



GAUGE:

20 sts + 28 rows = 4 in. (10 cm) in St st (k on RS, p on WS).

When you match the gauge in a pattern, your project will be the size specified in the pattern and the materials specified in the pattern will be sufficient. The needle or hook size called for in the pattern is based on what the designer used, but it is not unusual for gauge to vary from person to person. If it takes you fewer stitches and rows to make your swatch, try using a smaller size hook or needles; if more stitches and rows, try a larger size hook or needles.

Making a Gauge Swatch

STITCH EXPLANATION:

kfb (knit in front and back) Knit next st without removing it from left needle, then k through back of same st – 1 st increased.

Chain Stitch

Thread needle and bring from back to front through crocheted piece. *Hold short length of yarn on front forming a small loop. Insert needle back into where it last came out, do not pull tight. Bring needle back through work and through small loop; repeat from * until chain is desired length.

PATTERN STITCH

K1, p1 Rib (worked over an even number of sts)

Row 1: *K1, p1; rep from * to end of row.

Row 2: K the knit sts and p the purl sts.

Rep Row 2 for K1, p1 Rib.

STRIPE SEQUENCE

Work *4 rows with C, 4 rows with D; rep from * for Stripe Sequence.

NOTES:

1. Sweater is worked in 4 pieces, Back, Front and 2 Sleeves.
2. Seal chart is worked in intarsia colorwork, following a chart. Use a separate ball of yarn for each color section. Twist yarns on WS to prevent holes. Do not carry unused color(s) across WS of work.
3. For intarsia colorwork, you'll need 2 separate balls of C, so for smallest size, wind C into 2 balls. For all sizes, wind E into 1 small and 1 large ball before beginning.
4. When working from chart, work in St st (k on RS, p on WS) and read RS rows from right to left and WS rows from left to right.
5. Diamond Chart is worked in stranded colorwork, carrying unused color across WS of work.
6. When you see "- 12 sts" in the instructions, this lets you know how many sts you will have at the end of that specific row.

BACK

With smaller needles and A, cast on 66 (72, 78) sts.

Work in K1 p1 Rib for 10 rows.

Diamond Chart

Note: Diamond Chart is worked in stranded colorwork, carrying unused color across WS of work.

Change to larger needles.

Beg with a RS (knit row), work in St st (k on RS, p on WS), working 6-st rep of Diamond Chart until all 8 rows have been completed.

With C, continue in St st until piece measures about 14 1/2 (16, 18) in. (37 (40.5, 45.5) cm) from beg, end with a WS row as the last row you work.

Bind off 20 (23, 26) sts at beg of next 2 rows – 26 sts.

Slip rem sts to a holder for back neck.

FRONT

Work as for Back until Diamond Chart has been completed.

With C, work in St st for 4 rows.

Seal Chart

Next Row (RS): With C, k13 (16, 19), work Row 1 of Seal Chart across next 40 sts, with C, k13 (16, 19).

Continue keeping in chart and St st until Row 70 of Seal Chart has been completed.

With C, continue in St st until piece measures about 12 (13 1/2, 15 1/2) in. (30.5 (34.5, 39.5) cm) from beg, end with a WS as the last row you work.

Shape Neck

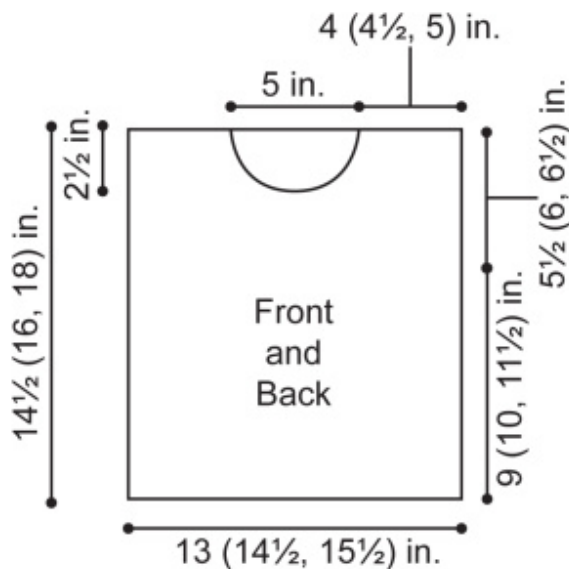
Row 1 (RS): With D, k27 (30, 33) sts, place the next 12 sts on a holder, join a 2nd ball of yarn and k to end of row – 27 (30, 33) sts rem on each side.

Work both sides AT THE SAME TIME with separate balls of yarn.

Bind off 3 sts at each neck edge once, then 2 sts once – 22 (25, 28) sts each side.

Dec 1 st at each neck edge twice – 20 (23, 26) sts each side.

Work even (without increasing or decreasing) in St st on both sides until



piece measures same as Back to shoulders.
Bind off each side.

SLEEVES (make 2)

With smaller needles and A, cast on 34 sts.

Work in K1 p1 Rib for 10 rows.

Change to larger needles.

Begin Stripe Sequence

Next Row (Increase - RS): With C, k1, kfb, knit to last 2 sts, kfb, k1 - 36 sts.

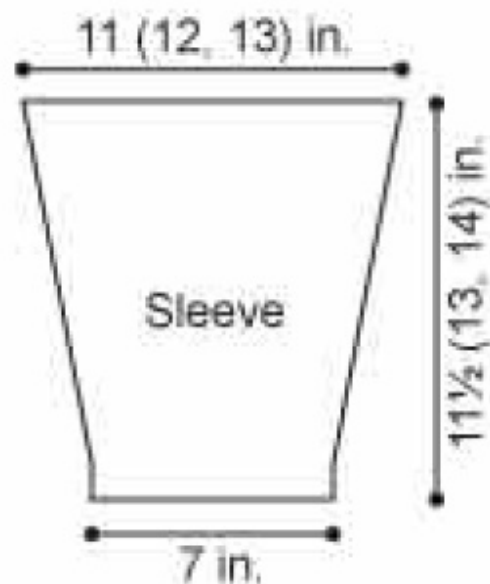
With C, work in St st for 3 rows.

Inc Row (RS): With D, k1, kfb, knit to last 2 sts, kfb, k1 - 38 sts.

Continuing in St st and Stripe Sequence, rep Inc Row every 4th row 9 (11, 14) times - 56 (60, 66) sts when all incs have been completed.

Work even (without increasing or decreasing) in St st and Stripe Sequence until piece measures about 11 1/2 (13, 14) in. (29 (33, 35.5) cm) from beg.

Bind off.



FINISHING

Sew left shoulder seam.

Neckband

From RS with smaller needles, join C at neck edge of unsewn shoulder, pick up and k 72 sts evenly spaced around neck, including sts from back and front neck stitch holders - 72 sts.

Work in K1, p1 Rib for 7 rows.

Bind off in rib.

Sew shoulder seam including neckband.

Measure and mark 5 1/2 (6, 6 1/2) in. (14 (15, 16.5) cm) down from shoulders on Front and Back. Sew tops of Sleeves between markers. Sew side and Sleeve seams.

SEAL

Eye

With crochet hook and G, chain 8.

Fasten off.

Begin coiling chain into a spiral, securing with sts using sewing needle and thread to shape the chain into a circle.

Sew to Seal for eye.

Ball

With B, embroider chain st around circumference of ball.

Weave in ends.

Flipper

With larger needles and F, cast on 7 sts.

Work in St st for 12 rows.

Next Row (RS): K5, k2tog - 6 sts.

Next Row: Purl.

Next Row: K4, k2tog - 5 sts.

Next Row: Purl.

Next Row: K3, k2tog - 4 sts.

Next Row: Purl.

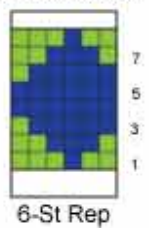
Next Row: (K2tog) twice - 2 sts.

Bind off.

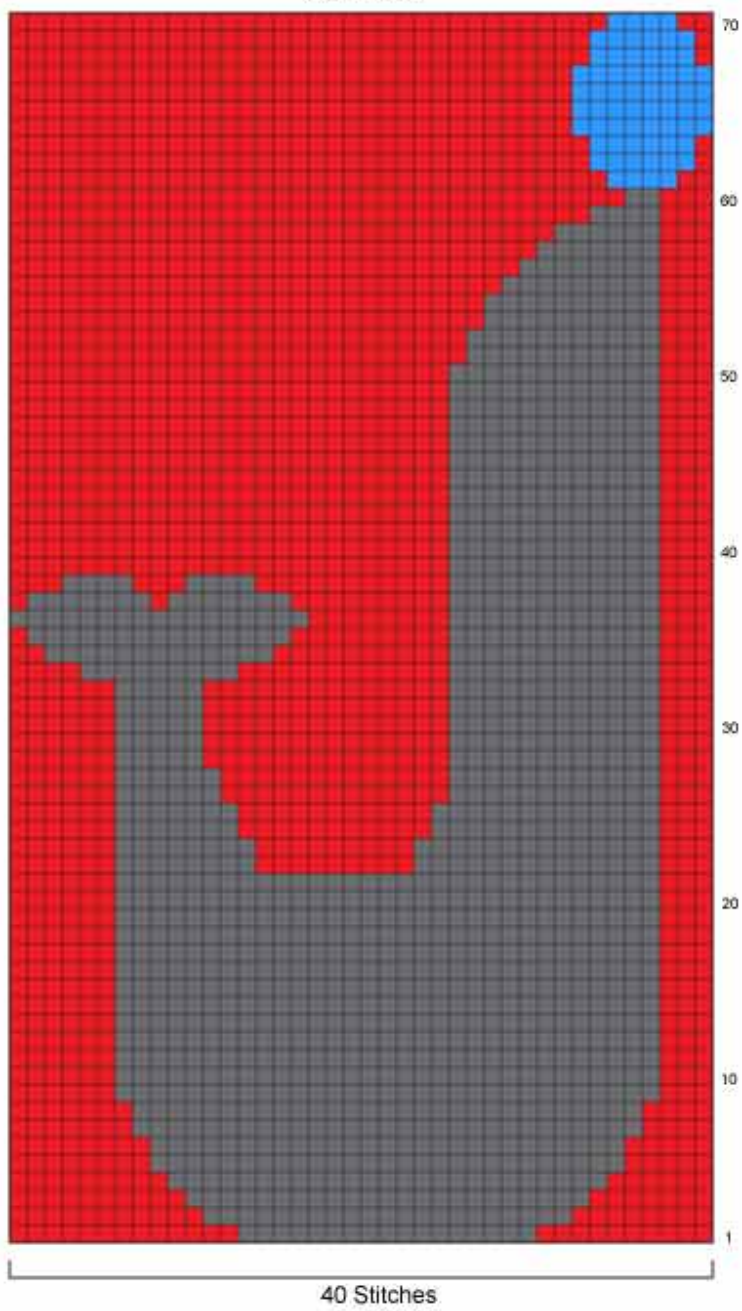
Sew Flipper to Seal's body.

Weave in ends.

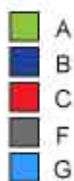
Diamond Chart



Seal Chart



Stitch Key



ABBREVIATIONS / REFERENCES

Click for explanation and illustration

<u>beg = begin(s)(ning)</u>	<u>dec = decreas(e)(s)(ing)</u>
<u>k = knit</u>	<u>k2tog = knit 2 together</u>
<u>p = purl</u>	<u>rem = remain(s)(ing)</u>
<u>rep = repeat(s)(ing)</u>	<u>RS = right side</u>
<u>St st = Stockinette stitch</u>	<u>st(s) = stitch(es)</u>

Learn to knit instructions: <http://www.lionbrand.com/learn/how-to-knit>

Every effort has been made to have the knitting and crochet instructions accurate and complete. We cannot be responsible for variance of individual knitters and crocheters, human errors, or typographical mistakes.

We want your project to be a success! If you need help with this or any other Lion Brand pattern, e-mail support is available 7 days per week. Just click [here](#) to explain your problem and someone will help you!

For thousands of free patterns, visit our website www.LionBrand.com

To order visit our website www.lionbrand.com or call: (800) 258-YARN (9276) any time!

When in New York City, visit the Lion Brand Yarn Studio where we have the largest selection of our yarns anywhere and over 100 classes and events monthly.

34 West 15th Street, NY, NY 10011

Copyright ©1998-2016 Lion Brand Yarn Company, all rights reserved. No pattern or other material may be reproduced -- mechanically, electronically, or by any other means, including photocopying -- without written permission of Lion Brand Yarn Company.