

LION BRAND[®] L40197

LEVEL 2-EASY KNIT PONCHO

LION BRAND[®] LION'S PRIDE[®] WOOLSPUN[®]

MATERIALS

- LION BRAND[®] LION'S PRIDE[®] WOOLSPUN[®] (Art. #671)
#130 Honey 3 (4) balls
or color of your choice
- LION BRAND[®] circular knitting needle size 10.5 (6.5 mm),
29 in. (73.5 cm) long
- LION BRAND[®] stitch markers
- LION BRAND[®] large-eyed blunt needle

ADDITIONAL MATERIALS

- Circular knitting needle size 10 (6 mm), 29 in. (73.5 cm) long



SIZE

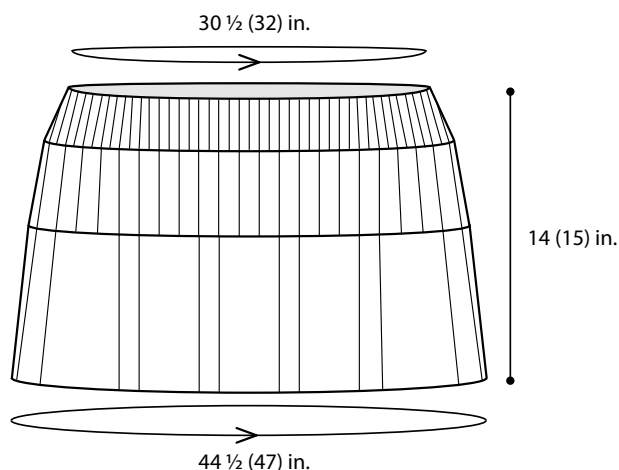
S/M (L)

Finished Circumference at lower edge About 44 ½ (47) in. (113 (119.5) cm)

Finished Circumference at neck About 30 ½ (32) in. (77.5 (81.5) cm)

Finished Length About 14 (15) in. (35.5 (38) cm)

Note: Pattern is written for smaller size with changes for larger size in parentheses. When only one number is given, it applies to both sizes. To follow pattern more easily, circle all numbers pertaining to your size before beginning.



GAUGE

15 sts = about 4 in. (10 cm) over Step 1 with smaller needle.
BE SURE TO CHECK YOUR GAUGE.

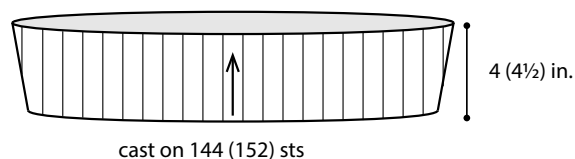
NOTE

Poncho is worked in one piece in the round, with stitches picked up to work the neck.

STEP 1

With smaller needle, cast on 144 (152) sts. Place marker for beginning of rnd. Join by working the first st on left hand needle with the working yarn from the right hand needle and being careful not to twist sts.

Rnd 1: *Knit 2, purl 2; repeat from * around.
Repeat Rnd 1 until piece measures about 4 (4 ½) in. (10 (11.5) cm) from beginning.

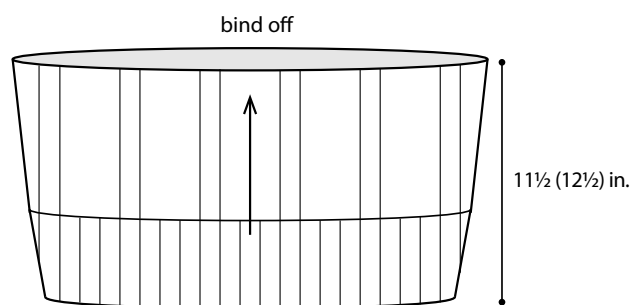


STEP 2

Change to larger needle.

Rnd 1: Knit.

Rnd 2: *Knit 2, purl 6; repeat from * around.
Repeat Rnds 1 and 2 until piece measures about 11 ½ (12 ½) in. (30 (32) cm) from beginning.
Bind off loosely.

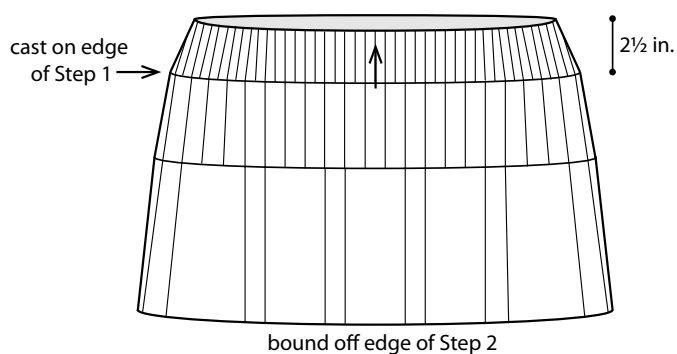


STEP 3

Neck

From right side, with smaller needle, beginning at any k2 along cast on round, pick up and knit one st in each st around – 144 (152) sts.
Place marker for beginning of rnd.

Neck Rib Rnd: *Knit 1, purl 1; rep from * around.
Repeat last rnd until piece measures about 2 ½ in. (6.5 cm) from picked-up sts.
Bind off in rib.



FINISHING

Weave in ends.

ABBREVIATIONS

rnd(s) = round(s)

st(s) = stitch(es)