



Free Knitting Pattern

Painterly Mitered Pullover



Pattern #-

L40379 AZ

Yarn-

Lion Brand® Amazing®

In collaboration with-

Irina Poludnenko

SKILL LEVEL – INTERMEDIATE

SIZES

One Size

Finished Bust About 60 in. (152.5 cm)

Finished Length About 22 in. (56 cm)

MATERIALS

- LION BRAND® AMAZING® (Art. #825)
 - #201 Ruby 1 ball
 - #209 Vineyard 3 balls
 - #210 Joshua Tree 3 balls
 - #218 Violets 3 balls
 - or colors of your choice
- LION BRAND® knitting needles size 8 (5 mm)
- LION BRAND® stitch markers
- LION BRAND® large-eyed blunt needle



GAUGE

16 1/2 sts + 23 rows = about 4 in. (10 cm) in Garter st (k every row).

BE SURE TO CHECK YOUR GAUGE.

STITCH EXPLANATION

kfb (knit in front and back) Knit next st without removing it from left needle, then k through back of same st – 1 st increased.

NOTES

1. Pullover is worked in 4 pieces: Back, Front and 2 Sleeves.
2. Back and Front of Pullover are made from strips of mitered squares. After the first Square is knit the following Squares begin by casting on sts, then picking up sts across edge(s) of previous Square(s). Follow the Assembly Diagram for Square placement.
3. All yarn colors are worked 'as desired'. Simply change yarn whenever you like.
4. Sleeves are worked in Garter st (k every row) beg at the lower edge.

For thousands of free patterns, visit our website www.LionBrand.com

To order visit our website www.lionbrand.com or call: (800) 258-YARN (9276) any time!

Copyright ©1998-2022 Lion Brand Yarn Company, all rights reserved. No pattern or other material may be reproduced -- mechanically, electronically, or by any other means, including photocopying - without written permission of Lion Brand Yarn Company.

BACK

Vertical Strip 1

Small Square 1

With yarn color as desired, cast on 19 sts.

Row 1 (WS): Knit.

Row 2 (RS): K8, k3tog, place marker (pm), k8 – 17 sts.

Row 3: Knit.

Row 4: K to 2 sts before marker, remove marker, k3tog, pm, k to end of row – 15 sts.

Row 5: Knit.

Rows 6-17: Rep last 2 rows 6 times – 3 sts at the end of last row worked.

Row 18: K3tog – 1 st rem.

Fasten off.

Small Squares 2-9

Note: You will be picking up and casting on sts to work a vertical strip of Small Squares that create the left side edge of the Back.

From RS with yarn color as desired, pick up and k9 sts evenly spaced across the top edge of previous Small Square, cast on 10 sts – 19 sts.

Rows 1-18: Work same as Rows 1-18 of Small Square 1 – 1 st. rem

Fasten off.

Vertical Strip 2

Small Square 10

With yarn color as desired, cast on 10 sts. From RS, pick up and k9 sts evenly spaced along side edge of Small Square 1 – 19 sts.

Rows 1-18: Work same as Rows 1-18 of Small Square 1 – 1 st rem.

Fasten off.

Small Square 11

With yarn color as desired, cast on 10 sts. From RS, pick up and k9 sts evenly spaced along side edge of Small Square 10 – 19 sts.

Rows 1-18: Work same as Rows 1-18 of Small Square 1 – 1 st rem.

Fasten off.

Large Square 1

From RS with yarn color as desired, pick up and k18 sts evenly spaced across top edges of Small Squares 11 and 10, pick up and k1 st in corner of Small Square 1, pick up and k18 sts along side edges of Small Squares 2 and 3 – 37 sts.

Row 1 (WS): Knit.

Row 2 (RS): K17, k3tog, place marker (pm), k17 – 35 sts.

Row 3: Knit.

Row 4: K to 2 sts before marker, remove marker, k3tog, pm, k to end of row – 33 sts.

Row 5: Knit.

Rows 6-35: Rep last 2 rows 15 times – 3 sts at the end of last row worked.

Row 36: K3tog – 1 st rem.

Fasten off.

Place a marker in center of top edge of Large Square 1. Place another marker in center of side edge of Large Square 1.

Small Square 12

From RS with yarn color as desired, beg at marker on top edge of Large Square 1, pick up and k9 sts evenly spaced across top edge to corner, pick up and k1 st in corner of Small Square 3, pick up and k9 sts evenly spaced along side edge of Small Square 4 – 19 sts.

Rows 1-18: Work same as Rows 1-18 of Small Square 1 – 1 st rem.

Fasten off.

Small Square 13

From RS with yarn color as desired, beg at top corner of Large Square 1, pick up and k9 sts evenly spaced across top edge to marker, remove marker, pick up and k1 st in corner, pick up and k9 sts evenly spaced along side edge of Small Square 12 – 19 sts.

Rows 1-18: Work same as Rows 1-18 of Small Square 1 – 1 st rem.

Fasten off.

Large Square 2

From RS with yarn color as desired, pick up and k18 sts evenly spaced across top edges of Small Squares 13 and 12, pick up and k1 st in corner of Small Square 4, pick up and k18 sts along side edges of Small Squares 5 and 6 – 37 sts.

Rows 1-36: Work same as Rows 1-36 of Large Square 1 – 1 st rem.

Fasten off.

Place a marker in center of top edge of Large Square 2. Place another marker in center of side edge of Large Square 2.

Small Square 14

From RS with yarn color as desired, beg at marker on top edge of Large Square 2, pick up and k9 sts evenly spaced across top edge to corner, pick up and k1 st in corner of Small Square 6, pick up and k9 sts evenly spaced along side edge of Small Square 7 – 19 sts.

Rows 1-18: Work same as Rows 1-18 of Small Square 1 – 1 st rem.

Fasten off.

Small Square 15

From RS with yarn color as desired, beg at top corner of Large Square 2, pick up and k9 sts evenly spaced across top edge to marker, remove marker, pick up and k1 st in corner, pick up and k9 sts evenly spaced along side edge of Small Square 14 – 19 sts.

Rows 1-18: Work same as Rows 1-18 of Small Square 1 – 1 st rem.

Fasten off.

Large Square 3

From RS with yarn color as desired, pick up and k18 sts evenly spaced across top edges of Small Squares 15 and 14, pick up and k1 st in corner of Small Square 4, pick up and k18 sts along side edges of Small Squares 8 and 9 – 37 sts.

Rows 1-36: Work same as Rows 1-36 of Large Square 1 – 1 st rem.

Fasten off.

Place a marker in center of side edge of Large Square 3.

Vertical Strip 3

Small Square 16

With yarn color as desired, cast on 10 sts. From RS, pick up and k9 sts evenly spaced along side edge of Small Square 11 – 19 sts.

Rows 1-18: Work same as Rows 1-18 of Small Square 1 – 1 st rem.

Fasten off.

Small Square 17

From RS with yarn color as desired, pick up and k9 sts evenly spaced across top edge of Small Square 16, pick up and k1 st in corner of Small Square 11, pick up and k9 sts along side edge of Large Square 1 to marker – 19 sts.

Rows 1-18: Work same as Rows 1-18 of Small Square 1 – 1 st rem.

Fasten off.

Small Square 18

From RS with yarn color as desired, pick up and k9 sts evenly spaced across top edge of Small Square 17, pick up and k1 st in corner at marker, remove marker, pick up and k9 sts along side edge of Large Square 1 to corner – 19 sts.

Rows 1-18: Work same as Rows 1-18 of Small Square 1 – 1 st rem.

Fasten off.

Small Square 19

From RS with yarn color as desired, pick up and k9 sts evenly spaced across top edge of Small Square 18, pick up and k1 st in corner of Large Square 1, pick up and k9 sts evenly spaced along side edge of Small Square 13 – 19 sts.

Rows 1-18: Work same as Rows 1-18 of Small Square 1 – 1 st rem.

Fasten off.

Small Square 20

From RS with yarn color as desired, pick up and k9 sts evenly spaced across top edge of Small Square 19, pick up and k1 st in corner of Small Square 13, pick up and k9 sts along side edge of Large Square 2 to marker – 19 sts.

Rows 1-18: Work same as Rows 1-18 of Small Square 1 – 1 st rem.

Fasten off.

Small Square 21

From RS with yarn color as desired, pick up and k9 sts evenly spaced across top edge of Small Square 20, pick up and k1 st in corner at marker, remove marker, pick up and k9 sts along side edge of Large Square 2 to corner – 19 sts.

Rows 1-18: Work same as Rows 1-18 of Small Square 1 – 1 st rem.

Fasten off.

Small Square 22

From RS with yarn color as desired, pick up and k9 sts evenly spaced across top edge of Small Square 21, pick up and k1 st in corner of Large Square 2, pick up and k9 sts evenly spaced along side edge of Small Square 15 – 19 sts.

Rows 1-18: Work same as Rows 1-18 of Small Square 1 – 1 st rem.

Fasten off.

Small Square 23

From RS with yarn color as desired, pick up and k9 sts evenly spaced across top edge of Small Square 22, pick up and k1 st in corner of Small Square 15, pick up and k9 sts along side edge of Large Square 3 to marker – 19 sts.

Rows 1-18: Work same as Rows 1-18 of Small Square 1 – 1 st rem.

Fasten off.

Small Square 24

From RS with yarn color as desired, pick up and k9 sts evenly spaced across top edge of Small Square 23, pick up and k1 st in corner at marker, remove marker, pick up and k9 sts along side edge of Large Square 3 to corner – 19 sts.

Rows 1-18: Work same as Rows 1-18 of Small Square 1 – 1 st rem.

Fasten off.

Vertical Strips 4, 6 and 8

Work same as Vertical Strip 2 picking up sts across side edges of Squares in previous Strip.

Vertical Strips 5, 7 and 9

Work same as Vertical Strip 3 picking up sts across side edges of Squares in previous Strip.

Shape Shoulders and Neck

From RS with yarn color as desired, pick up and k117 sts evenly spaced across top edge.

Row 1 (WS): Knit.

Rows 2-10: Bind off 5 sts, k to end of row – 72 sts at the end of last row worked.

Divide for Neck

Row 11 (WS): Bind off 5 sts, k until there are 16 sts on right needle, join a 2nd ball of yarn and bind off center 35 sts for neck, k to end of row – 16 sts rem on each side of neck.

Work both sides AT THE SAME TIME using separate balls of yarn.

Rows 12 and 13: Bind off 5 sts, k to end of first side; on 2nd side, bind off 3 sts, k to end of side – 8 sts rem on each side of neck at the end of last row worked.

Bind off rem sts on each side.

FRONT

Work Vertical Stripes 1-9 same as Back.

Shape Shoulders and Neck

From RS with yarn color as desired, pick up and k117 sts evenly spaced across top edge.

Row 1 (WS): Knit.

Rows 2-4: Bind off 5 sts, k to end of row – 102 sts at the end of last row worked.

Divide for Neck

Row 5 (WS): Bind off 5 sts, k until there are 39 sts on right needle, join a 2nd ball of yarn and bind off center 19 sts for neck, k to end of row – 39 sts rem on each side of neck.

Work both sides AT THE SAME TIME using separate balls of yarn.

Rows 6-9: Bind off 5 sts, k to end of first side; on 2nd side, bind off 3 sts, k to end of side – 23 sts rem on each side of neck at the end of last row worked.

Rows 10-13: Bind off 5 sts, k to end of first side; on 2nd side, bind off 2 sts, k to end of side – 9 sts rem on each side of neck at the end of last row worked.

Rows 14 and 15: Bind off 6 sts, k to end of first side; on 2nd side, k2tog, k to end of side – 2 sts rem on each side of neck at the end of last row worked.

Row 16: K2tog and fasten off on first side; on 2nd side, k2tog and fasten off.

SLEEVES (make 2)

With yarn color as desired, cast on 44 sts.

Rows 1-7: Knit.

Row 8: K1, kfb, k to last 2 sts, kfb, k1 – 46 sts.

Rows 9-40: Rep last 8 rows 4 times – 54 sts.

Work even in Garter st (k every row) until piece measures about 10 1/2 in. (26.5 cm) from beg.

Bind off.

FINISHING

Sew left shoulder seam.

Neckband

From RS with yarn color as desired, pick up and k102 sts evenly spaced around neck edge.

Row 1 (WS): Knit.

Bind off.

Sew right shoulder seam, including edges of neckband. Sew in Sleeves. Sew side and Sleeve seams.

Weave in ends.

ABBREVIATIONS

beg = begin(ning)(s)

k = knit

k2tog = knit 2 stitches together

k3tog = knit 3 stitches together

rem = remain(ing)

rep = repeat

RS = right side

st(s) = stitch(es)

WS = wrong side



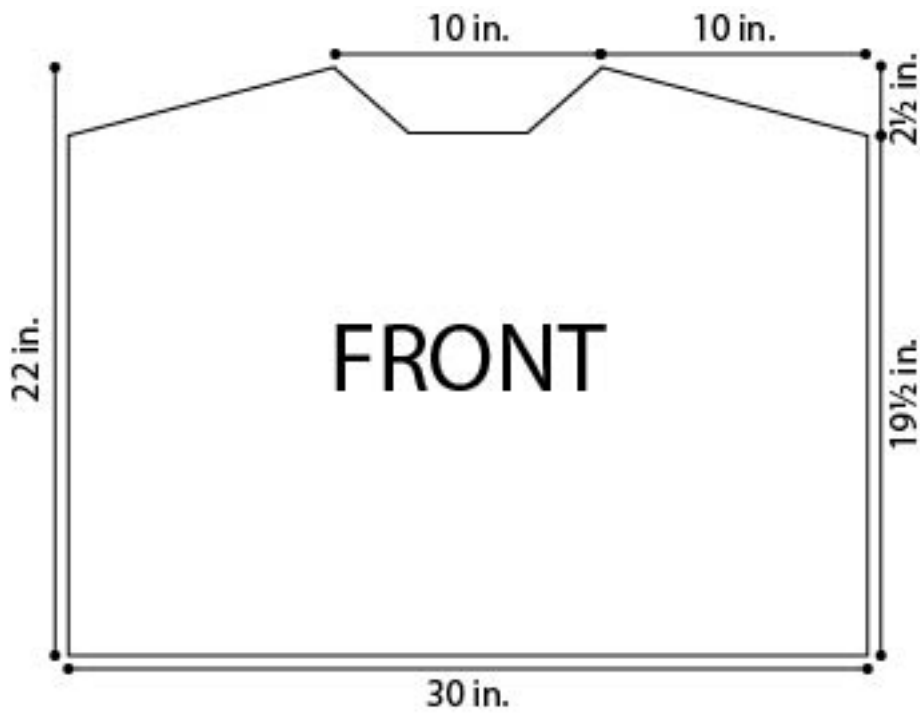
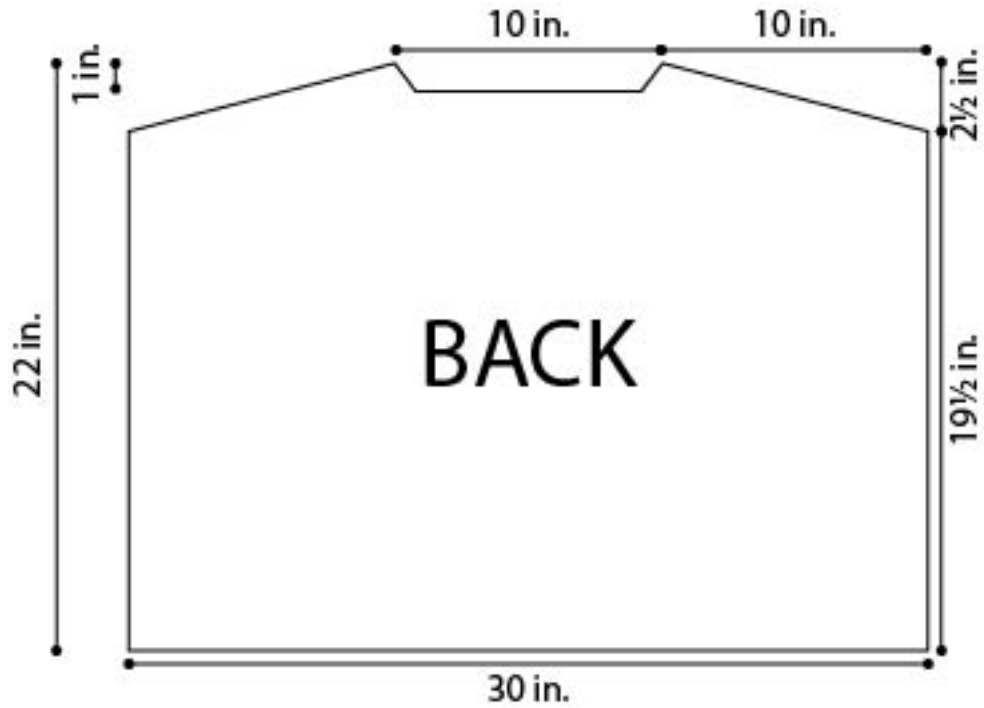
Every effort has been made to produce accurate and complete instructions. We cannot be responsible for variance of individual knitters or crocheters, human error, or typographical mistakes.

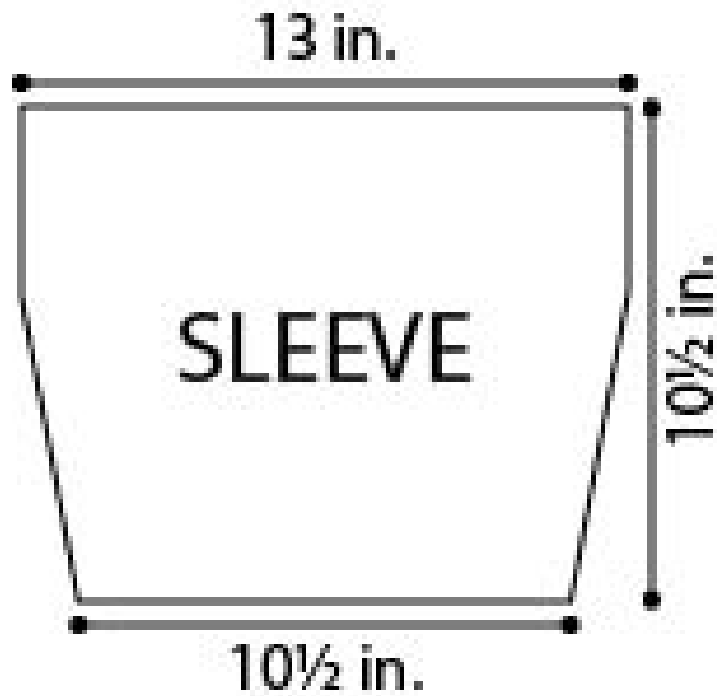
©2022 Lion Brand Yarn Company, all rights reserved.

For thousands of free patterns, visit our website www.LionBrand.com

To order visit our website www.lionbrand.com or call: (800) 258-YARN (9276) any time!

Copyright ©1998-2022 Lion Brand Yarn Company, all rights reserved. No pattern or other material may be reproduced -- mechanically, electronically, or by any other means, including photocopying - without written permission of Lion Brand Yarn Company.





Vertical Strip 1	Vertical Strip 2	Vertical Strip 3							
9	3	24	Vertical Strip 4	Vertical Strip 5	Vertical Strip 6	Vertical Strip 7	Vertical Strip 8	Vertical Strip 9	
8		23							
7	14	15							22
6	2	21							
5		20							
4	12	13							19
3	Large Square 1	18							
2		17							
Small Square 1	10	11							16