



***Free Crochet Pattern***  
**Lion Brand® New Basic 175**  
**Wavy Scarf**  
Pattern Number: L70013  
*Designed by Teresa Chorzepa*



## **SKILL LEVEL** – Easy

### **SIZE**

About 7 x 62 in. (18 x 157.5 cm), at widest and not including fringe

### **MATERIALS**

- Lion Brand® New Basic 175 (Art. #675)
  - 148 Turquoise 2 balls
- Lion Brand® crochet hook size J-10 (6 mm)
- Lion Brand® large-eyed blunt needle



### **GAUGE**

16 dc = about 4 in. (10 cm).

BE SURE TO CHECK YOUR GAUGE.

### **STITCH EXPLANATION**

**Puff** Yarn over, insert hook in indicated st, yarn over and draw up a loop (3 loops on hook), (yarn over, insert hook in *same* st, yarn over and draw up a loop) 3 times (9 loops rem on hook), yarn over, draw through all loops on hook.

### **NOTES**

1. Scarf is worked in one piece.
2. For those who find a visual helpful, we have included a stitch diagram.

### **SCARF**

Ch 30.

**Row 1 (RS):** Dc in 4th ch from hook (3 skipped ch count as first dc), \*ch 1, sk next ch, dc in next ch; rep from \* across – you will have 15 dc and 13 ch-1 sps.

**Row 2:** Ch 3 (counts as dc), turn, \*dc in next ch-1 sp, dc in next dc; rep from \* to beg ch, dc in top of beg ch-3 – 28 dc.

**Row 3:** Ch 1, turn, sc in first st, \*sk next st, sc in next st; rep from \* to beg ch, leave beg ch unworked – 14 sc.

**Row 4:** Ch 1, turn, sc in first 2 sts, \*Puff in next st, sc in next 2 sts; rep from \* across – 10 sc and 4 Puffs.

**Row 5:** Ch 3 (counts as dc), turn, dc in first st (increase made), 2 dc in each st across – 28 dc.

**Row 6:** Ch 3 (counts as dc), turn, dc in next st, \*ch 1, sk next st, dc in next st; rep from \* across working last dc in top of beg ch-3 – 15 dc and 13 ch-1 sps.

**Row 7:** Ch 3 (counts as dc), turn, dc in next ch-1 sp, \*ch 1, sk next st, dc in next ch-1 sp; rep \* to last dc and beg ch, ch 1, sk next dc, dc in top of beg ch-3 – 15 dc and 13 ch-1 sps.

Rep Rows 2-7 until piece measures about 62 in. (157.5 cm) from beg, end with a Row 6 as the last row you work.

For thousands of free patterns, visit our website [www.LionBrand.com](http://www.LionBrand.com)

To order visit our website [www.lionbrand.com](http://www.lionbrand.com) or call: (800) 258-YARN (9276) any time!

Copyright ©1998-2017 Lion Brand Yarn Company, all rights reserved.

No pattern or other material may be reproduced -- mechanically, electronically, or by any other means, including photocopying - without written permission of Lion Brand Yarn Company.

Fasten off.

## **FINISHING**

### **Fringe**

For each fringe, cut 3 strands each about 14 in. long and fold in half. Use crochet hook to draw fold through Scarf, forming a loop. Pull ends of fringe through this loop. Pull to tighten. Make 8 fringes evenly spaced across each end of Scarf.

Weave in ends.

## **ABBREVIATIONS**

beg = begin(ning)

ch = chain

ch-sp(s) = space(s) previously made

dc = double crochet

rep = repeat

RS = right side

sc = single crochet

sk = skip

st(s) = stitch(es)

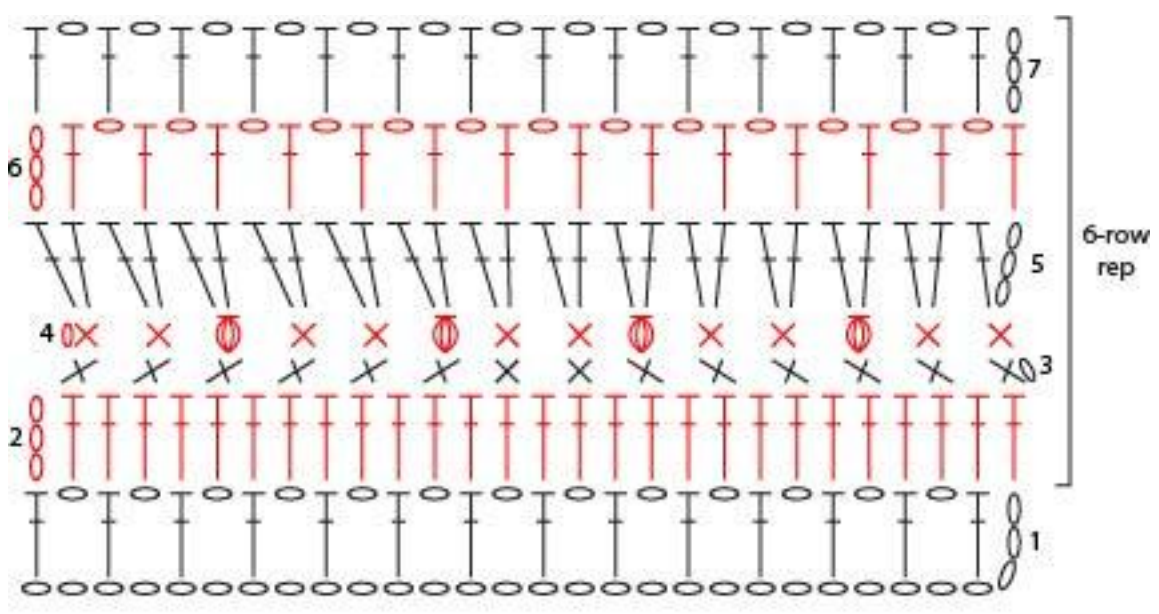
*Every effort has been made to produce accurate and complete instructions. We cannot be responsible for variance of individual crafters, human error, or typographical mistakes.*





For thousands of free patterns, visit our website [www.LionBrand.com](http://www.LionBrand.com)

To order visit our website [www.lionbrand.com](http://www.lionbrand.com) or call: (800) 258-YARN (9276) any time!

Copyright ©1998-2017 Lion Brand Yarn Company, all rights reserved.

No pattern or other material may be reproduced -- mechanically, electronically, or by any other means, including photocopying - without written permission of Lion Brand Yarn Company.



KEY	
	= chain (ch)
	= single crochet (sc)
	= double crochet (dc)
	= Puff