



***Free Knitting Pattern***  
**Lion Brand® 24/7 Cotton®**  
**Malibu Bolero**  
Pattern Number: L80029  
*Designed by Irina Poludnenko*



## **SKILL LEVEL – Intermediate**

### **SIZES**

XS/S (M/L, 1X-3X)

**Finished Bust** About 36 (46, 56) in. (91.5 (117, 142) cm), with fronts together but not overlapped

**Finished Length** About 18 (19, 20) in. (45.5 (48.5, 51) cm), not including neckband

**Note:** Pattern is written for smallest size with changes for larger sizes in parentheses. When only one number is given, it applies to all sizes. To follow pattern more easily, circle all numbers pertaining to your size before beginning.

### **MATERIALS**

- Lion Brand® 24/7 Cotton® (Art. #761)
  - 122 Taupe 4 (6, 7) balls
- Lion Brand® stitch markers
- Lion Brand® stitch holders
- Lion Brand large-eyed blunt needle



### **ADDITIONAL MATERIALS**

Circular knitting needle size 6 (4 mm), 36 in. (91.5 cm) long

### **GAUGE**

17 sts + 26 rows = about 4 in. (10 cm) in St st (k on RS, p on WS).

19 1/4 sts + 22 rows = about 4 in. (10 cm) in Pattern I.

19 sts + 26 rows = about 4 in. (10 cm) in Pattern II.

**BE SURE TO CHECK YOUR GAUGE.**

### **STITCH EXPLANATIONS**

**M1 (make 1)** An increase worked by lifting the horizontal strand lying between needles and placing it onto the left needle. Knit this new stitch through the back loop – 1 st increased.

**M1P (make 1 st as if to purl)** An increase worked by lifting the horizontal strand lying between the needles and placing it onto the left needle. Purl this new stitch through the back loop – 1 st increased.

**sk2p** Slip 1 as if to knit, knit 2 together, pass slipped stitch over – 2 sts decreased.

**sl1-k3-ssso (slip 1, k3, pass the slipped st over)** Slip 1 as if to knit, knit next 3 sts, insert tip of left needle into the slipped st and lift it over the 3 knits and drop it off the right needle.

**ssk (slip, slip, knit)** Slip next 2 sts as if to knit, one at a time, to right needle; insert left needle into fronts of these 2 sts and knit them tog – 1 st decreased.

**yo (yarn over)**

For thousands of free patterns, visit our website [www.LionBrand.com](http://www.LionBrand.com)

To order visit our website [www.lionbrand.com](http://www.lionbrand.com) or call: (800) 258-YARN (9276) any time!

Copyright ©1998-2018 Lion Brand Yarn Company, all rights reserved.

No pattern or other material may be reproduced -- mechanically, electronically, or by any other means, including photocopying - without written permission of Lion Brand Yarn Company.

An increase that also creates a small decorative hole (eyelet) in the fabric, worked as follows:

1. Bring yarn to front, between the needles.
2. Take yarn to back, over the right needle. This creates the new st. You are now ready to proceed with the next st as instructed.

### **PATTERN STITCHES**

**Pattern I (worked over a multiple of 12 sts + 1 additional st)**

**Row 1 (RS):** K1, \*yo, k4, sk2p, k4, yo, k1; rep from \* across.

**Row 2:** Purl.

Rep Rows 1 and 2 for Pattern I.

**Pattern II (worked over a multiple of 4 sts)**

**Row 1 (RS):** Knit.

**Row 2:** Purl.

**Row 3:** \*Sl 1-k3-pss0; rep from \* across.

**Row 4:** \*P3, yo; rep from \* across.

Rep Rows 1-4 for Pattern II.

### **NOTES**

1. Bolero is made from 3 separate pieces: Back and 2 Fronts.
2. Each piece is worked back and forth in rows from lower edge upwards.
3. Increases are worked on side edges to shape underarms and sleeves.
4. Selvedge stitches are included on the side edges of pieces. These stitches will 'disappear' into the seams.
5. When you see 'work even' in the instructions, this means to continue on in the pattern st you have established without changing the st count by increasing, decreasing, or binding off.
6. When you see 'work in pattern as established' in the instructions, this means to work the next row of the pattern, lining up sts as in previous rows.
7. For those who find visuals helpful, we've included charts for Pattern I and Pattern II.

### **BACK**

Cast on 87 (111, 135) sts.

Knit one row.

**Row 1 (RS):** Sl 1 (for selvedge st), work Row 1 of Pattern I to last st, p1 (for selvedge).

Slipping first st and purling last st for selvedge sts, work in Pattern I as established until piece measures about 7 in. (18 cm) from beg, end with a WS row as the last row you work.

### Shape Underarms

**Row 1 (RS):** Sl 1, M1, place marker (pm), work in Pattern I as established to last st, pm, M1, p1 – 89 (113, 137) sts.

**Row 2:** Sl 1, M1P, p1, slip marker (sm), work in Pattern I as established to next marker, sm, p1, M1P, p1 – 91 (115, 139) sts.

**Row 3:** Sl 1, M1, k to first marker, sm, work in Pattern I as established to next marker, sm, k to last st, M1, p1 – 93 (117, 141) sts.

**Row 4:** Sl 1, M1P, p to first marker, sm, work in Pattern I as established to next marker, sm, p to last st, M1P, p1 – 95 (119, 143) sts.

**Rows 5-12:** Rep Rows 3 and 4 – 111 (135, 159) sts.

### Shape Sleeves

**Row 1 (RS):** Cast on 5 sts. Working over sts just cast on, sl 1, k to first marker, remove marker, work in Pattern I as established to next marker, remove marker, k to last st, p1 – 116 (140, 164) sts.

**Row 2:** Cast on 5 sts. Working over sts just cast-on, sl 1, k5 (for armband), pm, work in Pattern I as established to last 6 sts, pm, k5 for armband, p1 – 121 (145, 169) sts.

Work as established - always slipping the first st and purling the last st of every row for selvedge sts; keeping 5 sts between selvedge sts and markers on each end of every row in Garter st (knit every st on every row); slipping markers on every row; and keeping remaining sts in Pattern I – until piece measures about 13 (13 1/2, 14) in. (33 (34.5, 35.5) cm) from beg, end with a WS row as the last row you work.

**Next Row (RS):** Sl 1, k to last st, p1.

**Next Row (Ridge Row – WS):** Sl 1, k59 (71, 83), k2tog, k58 (70, 82), p1 – 120 (144, 168) sts.

**Next Row (Set-Up Row – RS):** Sl 1, k5, sm, work Row 1 of Pattern II to last marker, sm, k5, p1.

**Next Row:** Sl 1, k5, sm, work in Pattern II as established to last marker, sm, k5, p1.

Rep last row until armholes measure about 7 (8, 9) in. (18 (20.5, 23) cm), end with a WS row as the last row you work.

### Shape Shoulders

Continue in patterns as established and AT THE SAME TIME, bind off 7 (9, 11) sts at beg of each row for a total of 6 times – 78 (90, 102) sts.

### Divide for Neck

**Row 1 (RS):** Bind off 7 (9, 11) sts, work in Pattern II as established over next 17 (20, 23) sts (for a total of 18 (21, 24) sts on right needle) for right side; join a 2nd ball of yarn and bind off center 28 (30, 32) sts for back neck, work in Pattern II as established to end of row for left side – 18 (21, 24) sts on right side and 25 (30, 35) sts on left side.

For thousands of free patterns, visit our website [www.LionBrand.com](http://www.LionBrand.com)

To order visit our website [www.lionbrand.com](http://www.lionbrand.com) or call: (800) 258-YARN (9276) any time!

Copyright ©1998-2018 Lion Brand Yarn Company, all rights reserved.

No pattern or other material may be reproduced -- mechanically, electronically, or by any other means, including photocopying - without written permission of Lion Brand Yarn Company.

You will now work both sides AT THE SAME TIME with separate balls of yarn.

**Row 2:** On left side, bind off 7 (9, 11) sts, work in Pattern II as established across; on right side, bind off 4 sts, work in Pattern II as established across – 14 (17, 20) sts on right side and 18 (21, 24) sts on left side.

**Row 3:** On right side, bind off 7 (9, 11) sts, work in Pattern II as established across; on left side, bind off 4 sts, work in Pattern II as established across – 7 (8, 9) sts on right side and 14 (17, 20) sts on left side.

**Row 4:** On left side, bind off 7 (9, 11) sts, work in Pattern II as established across; on right side, work even in Pattern II as established – 7 (8, 9) sts on each side.

**Row 5:** On right side, bind off rem 7 (8, 9) sts; on left side, work even in Pattern II as established – 7 (8, 9) sts rem on left side.

Bind off rem 7 (8, 9) sts of left side.

### LEFT FRONT

Cast on 48 (60, 72) sts.

Knit one row.

**Row 1 (RS):** Sl 1 (selvedge st), work Row 1 of Pattern I to last 10 sts, pm, k9 for front border, p1 (selvedge st).

**Row 2:** Sl 1, knit to marker, work in Pattern I as established to last st, p1.

**Row 3:** Sl 1, work in Pattern I as established to marker, sm, knit to last st, p1.

Rep Rows 2 and 3 until piece measures about 7 in. (18 cm) from beg, end with a WS row as the last row you work.

### Shape Underarm

**Row 1 (RS):** Sl 1, M1, pm, work in Pattern I as established to next marker, sm, knit to last st, p1 – 49 (61, 73) sts.

**Row 2:** Sl 1, knit to marker, sm, work in Pattern I as established to next marker, sm, p1, M1P, p1 – 50 (62, 74) sts.

**Row 3:** Sl 1, M1, k to marker, sm, work in Pattern I as established to next marker, sm, knit to last st, p1 – 51 (63, 75) sts.

**Row 4:** Sl 1, knit to marker, sm, work in Pattern I as established to marker, sm, p to last st, M1P, p1 – 52 (64, 76) sts.

**Rows 5-12:** Rep Rows 3 and 4 – 60 (72, 84) sts.

### Shape Sleeve

**Row 1 (RS):** Cast on 5 sts. Working over sts just cast on, sl 1, k5 for armband, pm, removing next marker as you come to it, work in Pattern I as established to last marker, sm, knit to last st, p1 – 65 (77, 89) sts.

**Row 2:** Sl 1, knit to marker, sm, work in Pattern I as established to next marker, sm, k5, p1.

**Row 3:** Sl 1, knit to marker, work in Pattern I as established to next marker, sm knit to last st, p1. Rep Rows 2 and 3 until piece measures about 13 (13 1/2, 14) in. (33 (34.5, 35.5) cm) from beg, end with a WS row as the last row you work.

For thousands of free patterns, visit our website [www.LionBrand.com](http://www.LionBrand.com)

To order visit our website [www.lionbrand.com](http://www.lionbrand.com) or call: (800) 258-YARN (9276) any time!

Copyright ©1998-2018 Lion Brand Yarn Company, all rights reserved.

No pattern or other material may be reproduced -- mechanically, electronically, or by any other means, including photocopying - without written permission of Lion Brand Yarn Company.

**Next Row (RS):** Sl 1, removing markers as you come to them, k to last st, p1.  
**Next Row (Ridge Row – WS):** Sl 1, k9, k2tog, k to last st, p1 – 64 (76, 88) sts.  
**Next Row (Set-Up Row):** Sl 1, k5, work Row 1 of Pattern II to last 10 sts, k9, p1.  
**Next Row:** Sl 1, k9, work in Pattern II as established to last 6 sts, k5, p1.  
**Next Row (RS):** Sl 1, k5, work in Pattern II as established to last 10 sts, k9, p1.  
Rep last 2 rows 3 (4, 5) more times.

### Shape Neck

**Row 1 (WS):** Sl 1, k9 and place these 10 sts on a holder, bind off 2 sts, work in Pattern II as established to last 6 sts, k5, p1 – 52 (64, 76) sts.  
**Row 2:** Sl 1, k5, work in Pattern II as established to end of row.  
**Row 3:** Bind off 2 sts as if to purl, work in Pattern II as established to last 6 sts, k5, p1 – 50 (62, 74) sts.  
**Rows 4 and 5:** Rep Rows 2 and 3 – 48 (60, 72) sts.  
**Row 6:** Rep Row 2.  
**Row 7:** Bind off 1 (2, 2) st(s), work in Pattern II as established to last 6 sts, k5, p1 – 47 (58, 70) sts.  
**Row 8:** Rep Row 2.  
**Row 9:** Bind off 1 (1, 2) st(s), work in Pattern II as established to last 6 sts, k5, p1 – 46 (57, 68) sts.  
**Row 10:** Rep Row 2.  
**Row 11:** Bind off 1 st, work in Pattern II as established to last 6 sts, k5, p1 – 45 (56, 67) sts.

### Shape Shoulder and Continue Shaping Neck

**Row 1 (RS):** Bind off 7 (9, 11) sts, work in Pattern II as established to end of row – 38 (47, 56) sts.  
**Row 2:** Bind off 1 st, work in Pattern II as established to last 6 sts, k5, p1 – 37 (46, 55) sts.  
**Rows 3-6:** Rep Rows 1 and 2 for 2 more times – 21 (26, 31) sts in Row 6.  
**Row 7:** Bind off 7 (9, 11) sts, work in Pattern II as established to end of row – 14 (17, 20) sts.  
**Row 8:** Work in Pattern II as established to last 6 sts, k5, p1.  
**Rows 9 and 10:** Rep Rows 7 and 8 – 7 (8, 9) sts in Row 9.

Bind off rem 7 (8, 9) sts.

### RIGHT FRONT

Cast on 48 (60, 72) sts.

Knit one row.

**Row 1 (RS):** Sl 1 (selvage st), k9 for front border, pm, work Row 1 of Pattern I to last st, p1 (selvage st).  
**Row 2:** Sl 1, work in Pattern I as established to marker, sm, k9, p1.  
**Row 3:** Sl 1, knit to marker, work in Pattern I as established to last st, p1.  
Rep Rows 2 and 3 until piece measures about 7 in. (18 cm) from beg, end with a

For thousands of free patterns, visit our website [www.LionBrand.com](http://www.LionBrand.com)

To order visit our website [www.lionbrand.com](http://www.lionbrand.com) or call: (800) 258-YARN (9276) any time!

Copyright ©1998-2018 Lion Brand Yarn Company, all rights reserved.

No pattern or other material may be reproduced -- mechanically, electronically, or by any other means, including photocopying - without written permission of Lion Brand Yarn Company.

WS row as the last row you work.

### Shape Underarm

**Row 1 (RS):** Sl 1, knit to marker, sm, work in Pattern I as established to last st, pm, M1, p1 – 49 (61, 73) sts.

**Row 2:** Sl 1, M1P, p1, sm, work in Pattern I as established to next marker, sm, knit to last st, p1 – 50 (62, 74) sts.

**Row 3:** Sl 1, knit to marker, sm, work in Pattern I as established to next marker, sm, knit to last st, M1, p1 – 51 (63, 75) sts.

**Row 4:** Sl 1, M1P, p to marker, sm, work in Pattern I as established to next marker, sm, knit to last st, p1 – 52 (64, 76) sts.

**Rows 5-12:** Rep Rows 3 and 4 – 60 (72, 84) sts.

**Row 13:** Sl 1, knit to marker, sm, work in Pattern I as established to next marker, remove marker, work in Pattern I to last st, p1.

### Shape Sleeve

**Row 1 (WS):** Cast on 5 sts. Working over sts just cast on, sl 1, k5 for armband, pm, removing next marker as you come to it, work in Pattern I as established to last marker, sm, knit to last st, p1 – 65 (77, 89) sts.

**Row 2:** Sl 1, knit to marker, sm, work in Pattern I as established to last marker, sm, k5, p1.

**Row 3:** Sl 1, knit to marker, sm, work in Pattern I as established to next marker, sm, knit to last st, p1.

Rep Rows 2 and 3 until piece measures about 13 (13 1/2, 14) in. (33 (34.5, 35.5) cm) from beg, end with a WS row as the last row you work.

**Next Row (RS):** Sl 1, removing markers as you come to them, k to last st, p1.

**Next Row (Ridge Row – WS):** Sl 1, k to last 12 sts, ssk, k9, p1 – 64 (76, 88) sts.

**Next Row (Set-Up Row):** Sl 1, k9, work Row 1 of Pattern II to last 6 sts, k5, p1.

**Next Row:** Sl 1, k5, work in Pattern II as established to last 10 sts, k9, p1.

**Next Row (RS):** Sl 1, k9, work in Pattern II as established to last 6 sts, k5, p1.  
Rep last 2 rows 3 (4, 5) more times.

**Next Row (WS):** Sl 1, k5, work in Pattern II as established to last 10 sts, k9, p1.

### Shape Neck

**Row 1 (RS):** Sl 1, k9 and place these 10 sts on a holder, bind off 2 sts, work in Pattern II as established to last 6 sts, k5, p1 – 52 (64, 76) sts.

**Row 2:** Sl 1, k5, work in Pattern II as established to end of row.

**Row 3:** Bind off 2 sts, work in Pattern II as established to last 6 sts, k5, p1 – 50 (62, 74) sts.

**Rows 4 and 5:** Rep Rows 2 and 3 – 48 (60, 72) sts.

**Row 6:** Rep Row 2.

**Row 7:** Bind off 1 (2, 2) st(s), work in Pattern II as established to last 6 sts, k5, p1 – 47 (58, 70) sts.

**Row 8:** Rep Row 2.

**Row 9:** Bind off 1 (1, 2) st(s), work in Pattern II as established to last 6 sts, k5, p1

For thousands of free patterns, visit our website [www.LionBrand.com](http://www.LionBrand.com)

To order visit our website [www.lionbrand.com](http://www.lionbrand.com) or call: (800) 258-YARN (9276) any time!

Copyright ©1998-2018 Lion Brand Yarn Company, all rights reserved.

No pattern or other material may be reproduced -- mechanically, electronically, or by any other means, including photocopying - without written permission of Lion Brand Yarn Company.

– 46 (57, 68) sts.

**Row 10:** Rep Row 2.

**Row 11:** Bind off 1 st, work in Pattern II as established to last 6 sts, k5, p1 – 45 (56, 67) sts.

### **Shape Shoulder and Continue Shaping Neck**

**Row 1 (WS):** Bind off 7 (9, 11) sts, work in Pattern II as established to end of row – 38 (47, 56) sts.

**Row 2:** Bind off 1 st, work in Pattern II as established to last 6 sts, k5, p1 – 37 (46, 55) sts.

**Rows 3-6:** Rep Rows 1 and 2 for 2 more times – 21 (26, 31) sts in Row 6.

**Row 7:** Bind off 7 (9, 11) sts, work in Pattern II as established to end of row – 14 (17, 20) sts.

**Row 8:** Work in Pattern II as established to last 6 sts, k5, p1.

**Rows 9 and 10:** Rep Rows 7 and 8 – 7 (8, 9) sts in Row 9.

Bind off rem 7 (8, 9) sts.

### **FINISHING**

Sew shoulder seams.

Sew side, underarm and sleeve seams.

### **Neckband**

From RS, working across right front band sts from holder, sl 1, k9; pick up and k82 (86, 96) sts evenly spaced along neck edge; working across left front band sts from holder, k9, p1 – 102 (106, 116) sts.

**Next 5 Rows:** Sl 1, k to last st, p1.

Bind off.

Weave in ends.

### **ABBREVIATIONS**

beg = begin(ning)

k = knit

k2tog = knit 2 stitches together

p = purl

rem = remain(ing)(s)

rep = repeat

RS = right side

sl = slip

st(s) = stitch(es)

St st = Stockinette stitch

WS = wrong side

*Every effort has been made to produce accurate and complete instructions. We cannot be responsible for variance of individual crafters, human error, or typographical mistakes.*

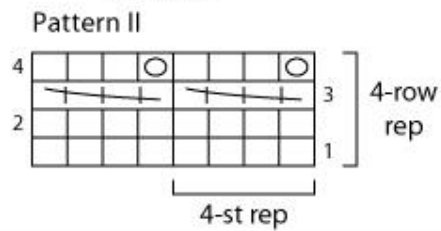
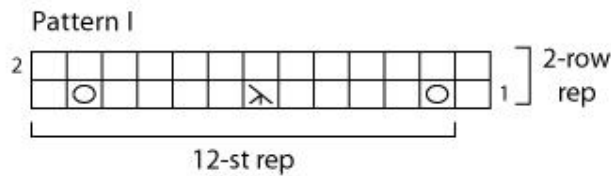
For thousands of free patterns, visit our website [www.LionBrand.com](http://www.LionBrand.com)

To order visit our website [www.lionbrand.com](http://www.lionbrand.com) or call: (800) 258-YARN (9276) any time!

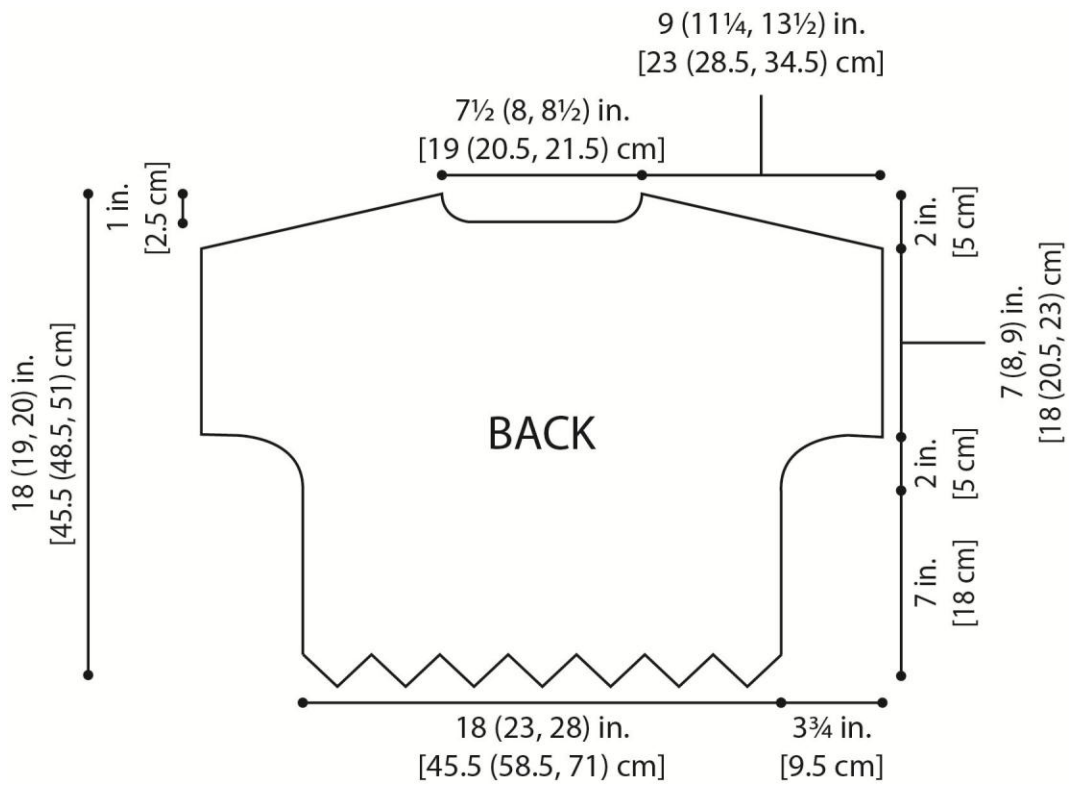
Copyright ©1998-2018 Lion Brand Yarn Company, all rights reserved.

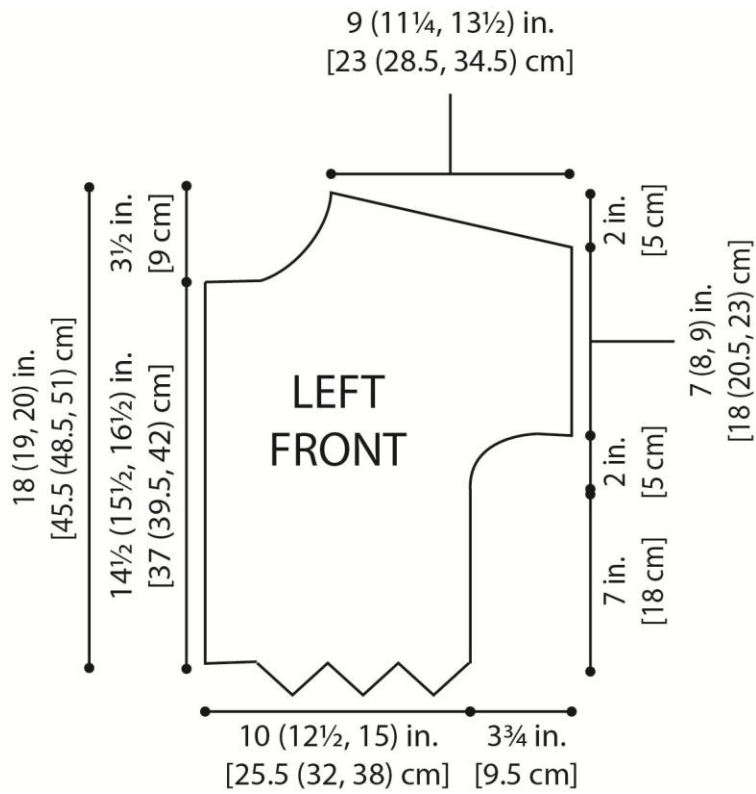
No pattern or other material may be reproduced -- mechanically, electronically, or by any other means, including photocopying - without written permission of Lion Brand Yarn Company.





KEY	
<input type="checkbox"/>	knit on RS, purl on WS
<input checked="" type="checkbox"/>	yarn over
<input checked="" type="checkbox"/>	sk2p (slip, k2tog, pssso)
<input checked="" type="checkbox"/>	sl1-k3-pssso (slip 1, knit 3, pass slipped st over)





For thousands of free patterns, visit our website [www.LionBrand.com](http://www.LionBrand.com)

To order visit our website [www.lionbrand.com](http://www.lionbrand.com) or call: (800) 258-YARN (9276) any time!

Copyright ©1998-2018 Lion Brand Yarn Company, all rights reserved.

No pattern or other material may be reproduced -- mechanically, electronically, or by any other means, including photocopying - without written permission of Lion Brand Yarn Company.