



***Free Knitting Pattern***  
**Lion Brand® Touch of Alpaca®**  
**Cedar Hill Pullover**  
Pattern Number: L70311



## **SKILL LEVEL – Easy**

### **SIZES**

S/M (L/XL, 1X/2X)

**To Fit Bust** 32-38 (38-44, 44-50) in. (81.5-96.5 (96.5-112, 112-127) cm)

**Finished Back Length** 30 (31, 32) in. (76 (78.5, 81.5) cm)

**Finished Front Length** 24 (25, 26) in. (61 (63.5, 66) cm)

**Note:** Pattern is written for smallest size with changes for larger sizes in parentheses. When only one number is given, it applies to all sizes. To follow pattern more easily, circle all numbers pertaining to your size before beginning.

### **MATERIALS**

- Lion Brand® Touch of Alpaca® (Art. #674)
  - 104 Blush 6 (8, 8) balls
- Lion Brand® knitting needles size 8 (5 mm)
- Lion Brand® stitch markers
- Lion Brand® large-eyed blunt needle



### **ADDITIONAL MATERIALS**

Circular knitting needle size 7 (4.5 mm), 29 in. (73.5 cm) long

### **GAUGE**

18 sts + 24 rows = about 4 in. (10 cm) in St st (k on RS, p on WS) with larger needles.

**BE SURE TO CHECK YOUR GAUGE.**

### **STITCH EXPLANATIONS**

**kfb (knit in front and back)** Knit next st without removing it from left needle, then k through back of same st – 1 st increased.

**ssk (slip, slip, knit)** Slip next 2 sts as if to knit, one at a time, to right needle; insert left needle into fronts of these 2 sts and knit them together – 1 st decreased.

### **PATTERN STITCH**

**K3, p2 Rib (worked over a multiple of 5 sts + 2 additional sts)**

**Row 1 (RS):** P2, \*k3, p2; rep from \* to end of row.

**Row 2:** K the knit sts and p the purl sts.

Rep Row 2 for K3, p2 Rib.

### **NOTES**

1. Pullover is worked in 4 pieces: Back, Front, and 2 Sleeves.
2. Back and Front are worked in St st (k on RS, p on WS) with ribbed borders; the Sleeves are worked in rib.
3. The Back of the Pullover is designed to be longer than the Front.
4. The neck edge is worked in the round on a circular needle.

For thousands of free patterns, visit our website [www.LionBrand.com](http://www.LionBrand.com)

To order visit our website [www.lionbrand.com](http://www.lionbrand.com) or call: (800) 258-YARN (9276) any time!

Copyright ©1998-2018 Lion Brand Yarn Company, all rights reserved.

No pattern or other material may be reproduced -- mechanically, electronically, or by any other means, including photocopying - without written permission of Lion Brand Yarn Company.

5. The circular needle is also used to work the rib on the Back, Front and Sleeves – but working in rows, just as if working on straight needles.
6. This pattern includes some knitter's lingo. When you see '– 12 sts' at the end of a sentence, this is the number of sts you will have after working that row. When you see 'as established' in the instructions, this means to continue in the indicated pattern st, lining up sts as in previous rows. When the pattern says to 'work even' this means that you continue in the specified st pattern and keep the number of sts the same – without increasing or decreasing.

## **BACK**

### **Rib**

With circular needle, cast on 107 (122, 137) sts. Working back and forth on circular needle as if working with straight needles, work in K3, p2 Rib for 3 in. (7.5 cm), end with a WS row as the last row you work.

Change to larger straight needles.

**Row 1 (RS):** Work in K3, p2 Rib as established over first 12 sts (side border), place marker (pm), work in St st (k on RS, p on WS) to last 12 sts, pm, work in K3, p2 Rib as established to end of row (side border).

**Row 2:** Work in K3, p2 Rib as established to marker, slip marker (sm), work in St st to next marker, sm, work in K3, p2 Rib as established to end of row.

Rep Row 2 until piece measures about 9 in. (23 cm) from beg, end with a WS row as the last row you work and remove markers as you work the last row.

### **Shape Sides**

Work in St st across all sts for 2 rows.

**Increase Row (RS):** K1, kfb, k to last 2 sts, kfb, k1 – you will have 109 (124, 139) sts at the end of this row.

Work in St st for 9 rows.

Rep Increase Row – 111 (126, 141) sts.

Rep last 10 rows 9 (9, 10) more times – 129 (144, 161) sts.

Work even in St st until piece measures about 29 (30, 31) in. (73.5 (76, 78.5) cm) from beg, end with a WS row as the last row you work.

### **Shape Shoulders and Neck**

**Row 1 (RS):** Bind off 16 (18, 20) sts (1 st rem on right needle), k36 (40, 45) for right side, join a 2nd ball of yarn and bind off center 23 (26, 29) sts for neck, k to end of row for left side – 37 (41, 46) sts on right side, and 53 (59, 66) sts on left side.

You will now work both sides AT THE SAME TIME with separate balls of yarn.

**Row 2:** On left side, bind off 16 (18, 20) sts, p to end of side; on right side, bind off 3 sts, p to end of side – 34 (38, 43) sts on right side and 37 (41, 46) sts for left side.

For thousands of free patterns, visit our website [www.LionBrand.com](http://www.LionBrand.com)

To order visit our website [www.lionbrand.com](http://www.lionbrand.com) or call: (800) 258-YARN (9276) any time!

Copyright ©1998-2018 Lion Brand Yarn Company, all rights reserved.

No pattern or other material may be reproduced -- mechanically, electronically, or by any other means, including photocopying - without written permission of Lion Brand Yarn Company.

**Row 3:** On right side, bind off 16 (18, 20) sts, k to end of side; on left side, bind off 3 sts, k to end of side – 18 (20, 23) sts on right side and 34 (38, 43) sts on left side.

**Row 4:** On left side, bind off 16 (18, 20) sts, p to end of side; on right side, bind off 2 sts, p to end of side – 16 (18, 21) sts on right side and 18 (20, 23) sts on left side.

**Row 5:** Bind off rem 16 (18, 21) sts of right side; on left side, bind off 2 sts, k to end of side – 16 (18, 21) sts rem on left side.

Bind off rem 16 (18, 21) sts of left side.

## FRONT

### Rib

Cast on and work as for Back rib.

### Shape Sides

Change to larger straight needles.

Work in St st across all sts for 2 rows.

**Increase Row (RS):** K1, kfb, k to last 2 sts, kfb, k1 – 109 (124, 139) sts.

Work in St st for 9 rows.

Rep last 10 rows for 3 more times – 115 (130, 145) sts.

### Shape Neck and Continue Side Shaping

**Row 1 (RS):** K1, kfb, k55 (62, 70) sts for left side, join a 2nd ball of yarn and bind off center 1 (2, 1) st(s) for neck, k to last 2 sts, kfb, k1 for right side – 58 (65, 73) sts on each side of neck.

You will now work both sides AT THE SAME TIME with separate balls of yarn.

**Row 2:** On right side, p to end of side; left side, p to end of side.

**Row 3 (Neck Decrease):** On left side, k to last 3 sts of side, k2tog, k1; on right side, k1, ssk, k to end of side – 57 (64, 72) sts on each side of neck.

**Rows 4-6:** Work even in St st, using a separate ball of yarn on each side, for 3 rows.

**Row 7:** Rep Row 3 – 56 (63, 71) sts on each side of neck.

**Rows 8-10:** Work even in St st, using a separate ball of yarn on each side, for 3 rows.

**Row 11 (Neck Decrease and Side Increase):** On left side, k1, kfb, k to last 3 sts of side, k2tog, k1; on right side, k1, ssk, k to last 2 sts, kfb, k1 – 56 (63, 71) sts on each side of neck.

**Rows 12-15:** Rep Rows 4-7 – 55 (62, 70) sts on each side in Row 15.

**Rows 16-19:** Rep Rows 4-7 – 54 (61, 69) sts on each side in Row 19.

**Row 20:** Work even in St st, using a separate ball of yarn on each side.

**Row 21 (Side Increase):** On left side, k1, kfb, k to end of side; on right side, k to last 2 sts, kfb, k1 – 55 (62, 70) sts on each side.

**Row 22:** Work even in St st, using a separate ball of yarn on each side.

**Row 23:** Rep Row 3 – 54 (61, 69) sts on each side.

**Rows 24-27:** Rep Rows 4-7 – 53 (60, 68) sts on each side.

For thousands of free patterns, visit our website [www.LionBrand.com](http://www.LionBrand.com)

To order visit our website [www.lionbrand.com](http://www.lionbrand.com) or call: (800) 258-YARN (9276) any time!

Copyright ©1998-2018 Lion Brand Yarn Company, all rights reserved.

No pattern or other material may be reproduced -- mechanically, electronically, or by any other means, including photocopying - without written permission of Lion Brand Yarn Company.

**Rows 28-47 (47, 67):** Rep Rows 8-27 for 1 (1, 2) more time(s) – 50 (57, 62) sts rem on each side.

Rep Rows 8-23 (27, 15) once more – 48 (54, 61) sts.

Work even in St st, using a separate ball of yarn on each side, until piece measures about 23 (24, 25) in. (58.5 (61, 63.5) cm) from beg, end with a WS row as the last row you work.

### Shape Shoulders

**Row 1 (RS):** On left side, bind off 16 (18, 20) sts, k to end of side; on right side, k to end of side – 32 (36, 41) sts on left side and 48 (54, 61) sts on right side

**Row 2:** On right side, bind off 16 (18, 20) sts, p to end of side; on left side, p to end of side – 32 (36, 41) sts on each side.

**Rows 3 and 4:** Rep Rows 1 and 2 – 16 (18, 21) sts on each side.

**Row 5:** Bind off rem 16 (18, 21) sts of left side; on right side, k to end of side – 16 (18, 21) sts rem on right side

Bind off rem 16 (18, 21) sts of right side.

### SLEEVES (make 2)

#### Cuff

With circular needle, cast on 37 (42, 47) sts. Working back and forth in rows, work in K3, p2 Rib for 1 1/2 in. (4 cm), end with a WS row as the last row you work.

#### Shape Sleeve

Change to larger straight needles.

**Increase Row (RS):** P1, kfb, work in K3, p2 Rib as established to last 2 sts, kfb, p1 – 39 (44, 49) sts.

Work even in K3, p2 Rib for 5 (3, 3) rows, working increased sts into K3, p2 Rib.

Rep Increase Row – 41 (46, 51) sts.

Rep last 6 (4, 4) rows 10 (12, 14) more times – 61 (70, 79) sts.

Work even in K3, p2 Rib until piece measures about 14 in. (35.5 cm) from beg.

Bind off.

### FINISHING

**Step 1:** Sew Front and Back together at shoulders.

#### Step 2: Neck Edging

**Note:** Instructions are provided for the number of neck edging sts picked up by the designer. Everyone's tension is slightly different though! We suggest that you pick up any number of sts evenly spaced around the Pullover neck that create a smooth edge. To keep the edges of the neck even, just be sure to that you pick up the same number of sts along the right front neck edge as you picked up for the left front neck edge.

From RS with circular needle, beg at right shoulder seam, pick up and k31 (34, 37) sts evenly spaced across back neck, 60 (64, 68) sts along left front neck

For thousands of free patterns, visit our website [www.LionBrand.com](http://www.LionBrand.com)

To order visit our website [www.lionbrand.com](http://www.lionbrand.com) or call: (800) 258-YARN (9276) any time!

Copyright ©1998-2018 Lion Brand Yarn Company, all rights reserved.

No pattern or other material may be reproduced -- mechanically, electronically, or by any other means, including photocopying - without written permission of Lion Brand Yarn Company.

edge, 1 (2, 1) st(s) at center front of V-neck, 60 (64, 68) sts along right front neck edge – 152 (164, 174) sts. Place marker for beg of rnd. Join by working the first st on the left hand needle with the working yarn from the right hand needle.

Purl 1 rnd.

Bind off as if to knit.

**Step 3:** Place markers on side edges of Front and Back about 6 1/2 (7 1/2, 8 1/2) in. (16.5 (19, 21.5) cm) below shoulder seams. Matching the center of the top of the Sleeve to the shoulder seam of the Pullover, sew Sleeves between markers.

**Step 4:** Match top edge of ribbing on Front and on Back.

**Note** that Back is 6 in. (15 cm) longer than Front.

Sew Front to Back at sides from top of ribbing to underarm, then sew Sleeve seams.

Weave in ends.

### **ABBREVIATIONS**

beg = begin(ning)(s)

k = knit

k2tog = knit 2 stitches together

p = purl

rem = remain(ing)(s)

rep = repeat

rnd = round

RS = right side

st(s) = stitch(es)

St st = Stockinette stitch

WS = wrong side

*Every effort has been made to produce accurate and complete instructions. We cannot be responsible for variance of individual crafters, human error, or typographical mistakes.*

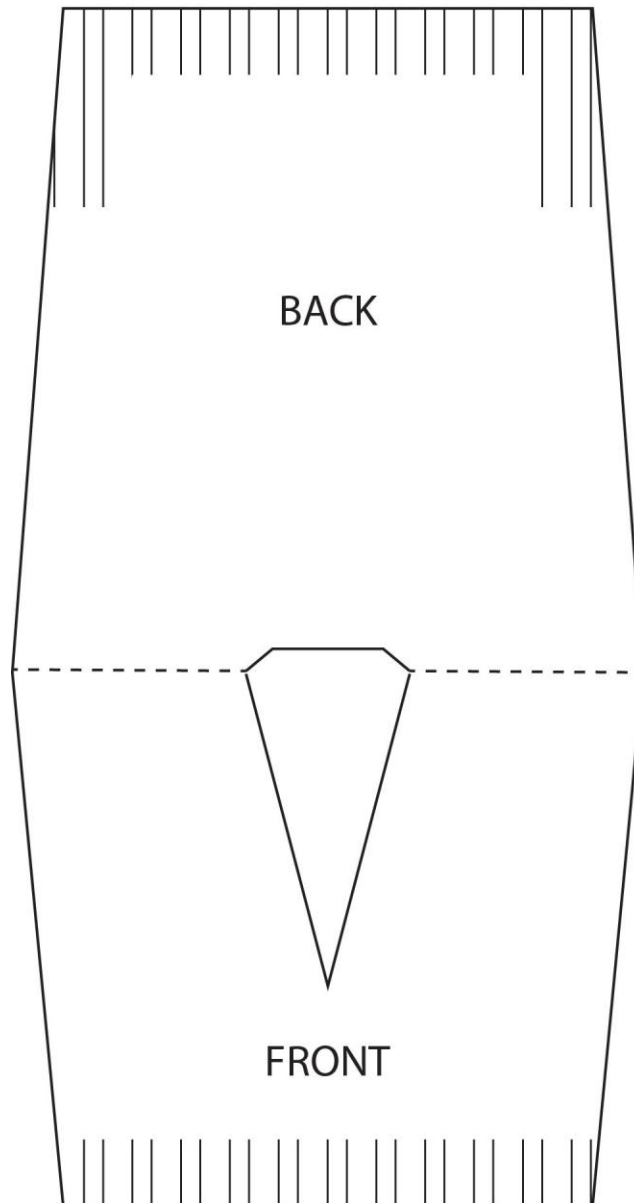
For thousands of free patterns, visit our website [www.LionBrand.com](http://www.LionBrand.com)

To order visit our website [www.lionbrand.com](http://www.lionbrand.com) or call: (800) 258-YARN (9276) any time!

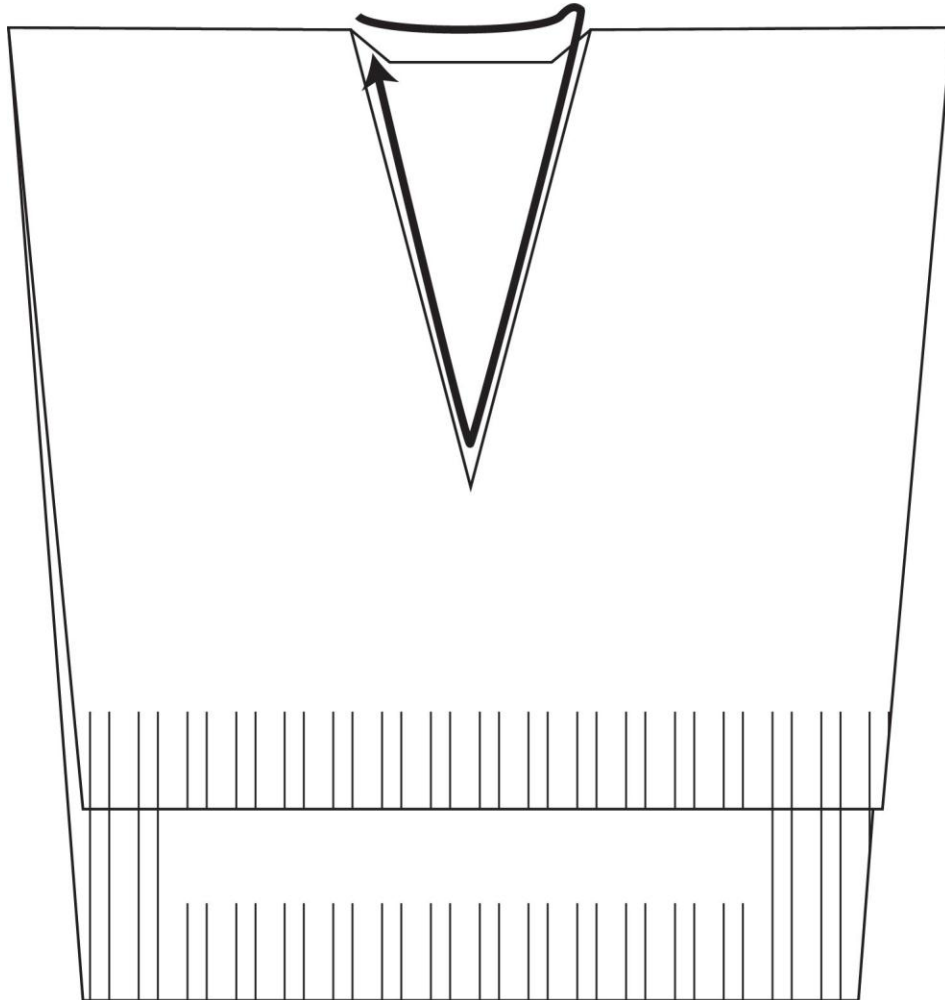
Copyright ©1998-2018 Lion Brand Yarn Company, all rights reserved.

No pattern or other material may be reproduced -- mechanically, electronically, or by any other means, including photocopying - without written permission of Lion Brand Yarn Company.

## STEP 1

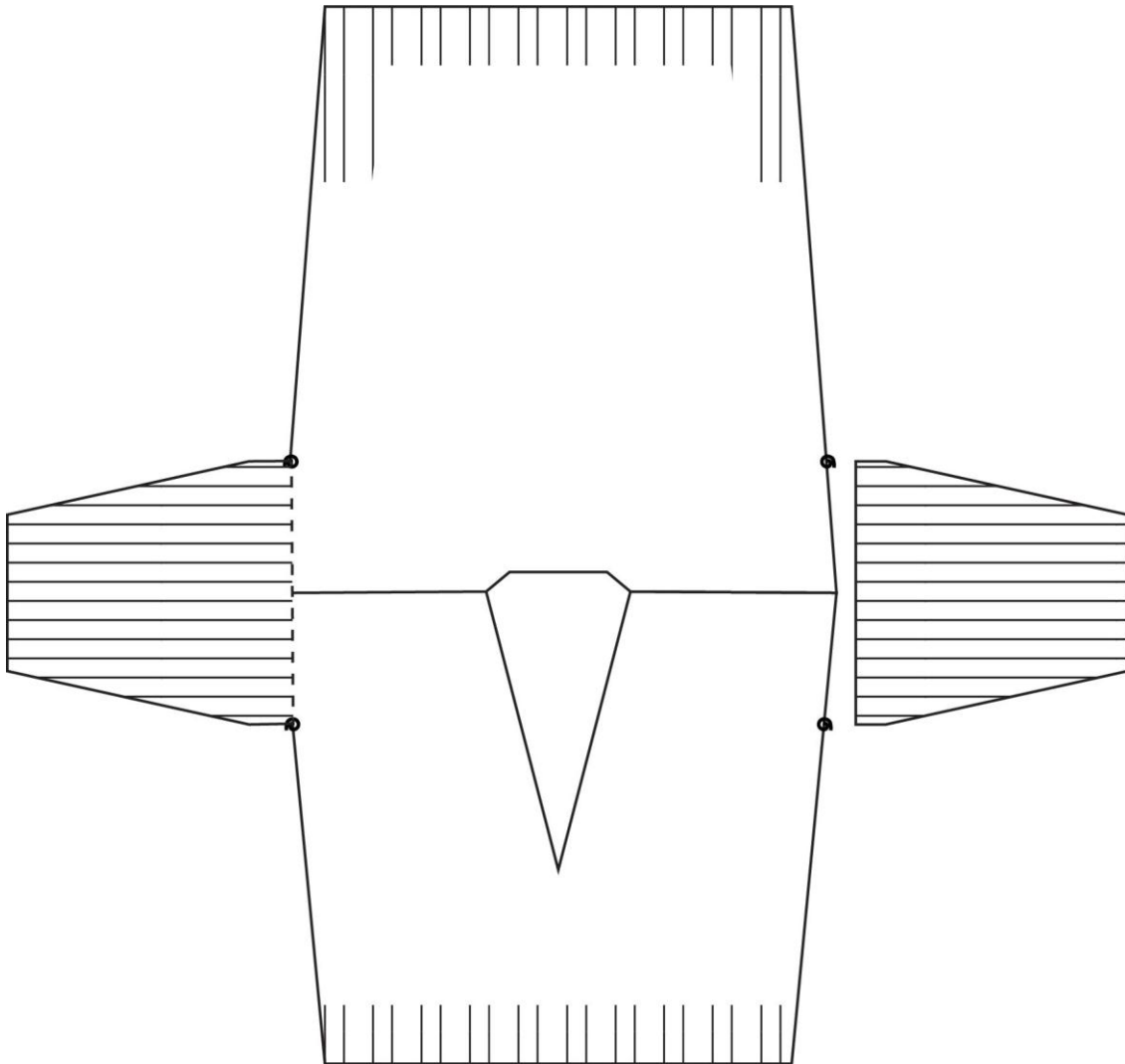


STEP 2





### STEP 3



## STEP 4

