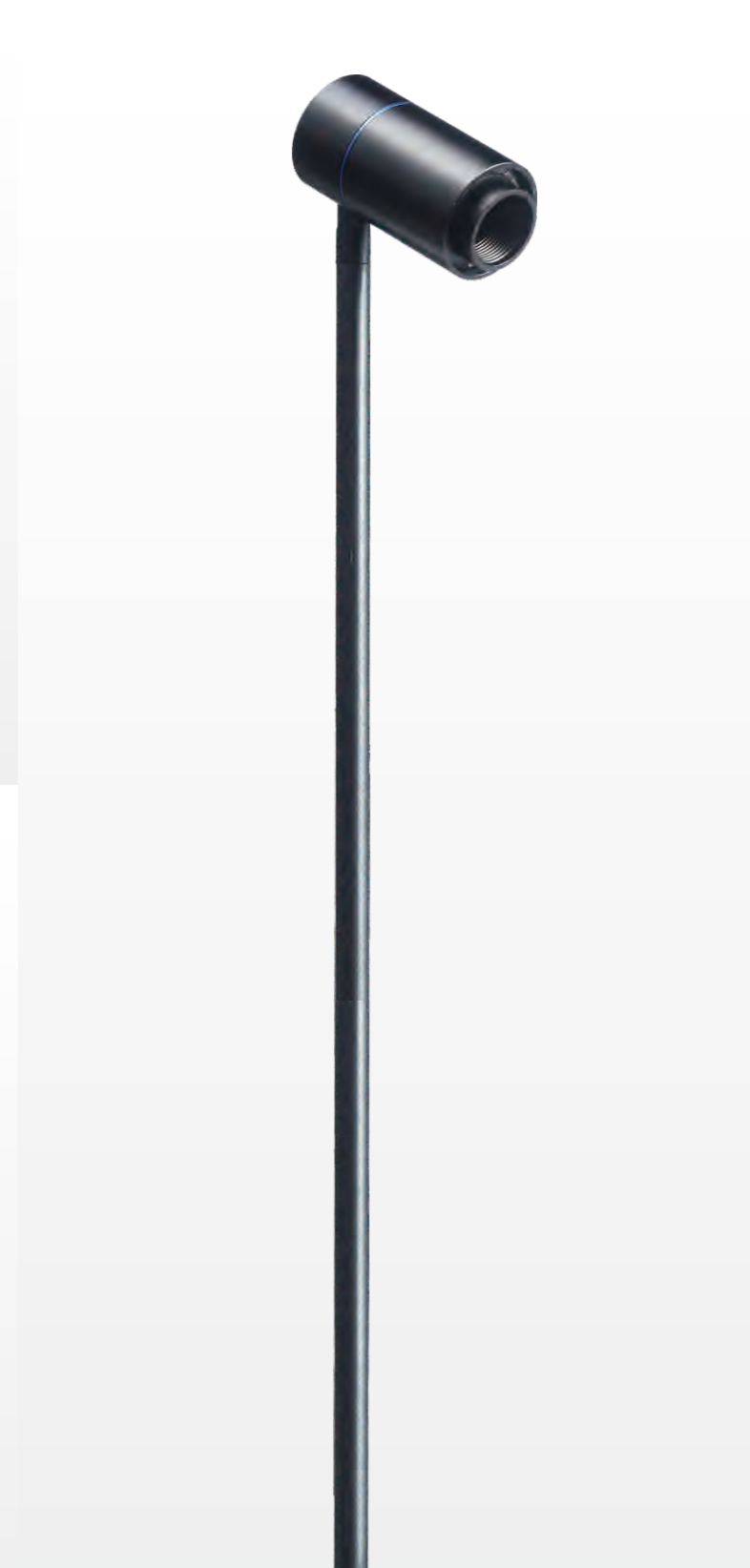


Museum Quality Light.



Art. No. 039507.003

Project: The Palace Museum
Location: No. 4 Jingshanqian Street, Dongcheng District, Beijing
Project Year: 2019
Lighting Equipment: Sprite X1/X2



Sprite X1/X2/X3
Sprite in museum cabinets.

Specifications and
lighting distribution
data

akzu.com

AKZU



Visit akzu.com for the latest product information.
For detailed product specifications and museum lighting design,
please send your kind inquiry to info@akzu.com

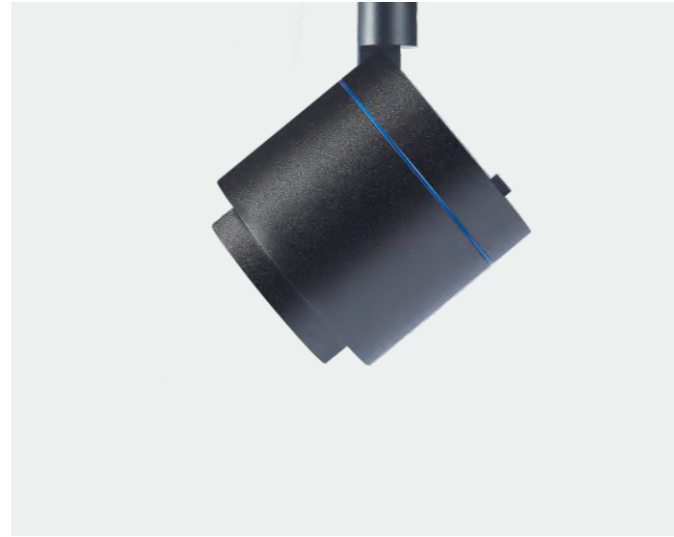
Collimated Light Technology
Triod optical system
Higher light efficiency, better lighting effects.



Sprite X1/X2/X3

Brilliant revivifying of art and history inside the museum cabinets.

Sprite X1/X2/X3 Museum Cabinet Light



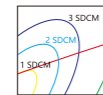
Patent-designed Sprite X1/X2/X3 museum cabinet lights, wattage ranging from 1W to 6W, beam angle varying from Direct spot 6°, Spot 16°, Flood 26°, Broad flood 47°, Oval flood 54°x24°, Oval flood 24°x54°, wallwash and creative consecutive beam angle zoom 6°-25°, 8°-25°, 12°-65°, 6°-70° provide flexible solutions for lighting designs for different exhibits and cabinets. Sprite series adopt world's leading high-power and high-efficiency light output LED chip with pure light saturation, equip with advanced intelligent lighting control system, offer stand mounting, surface mounting, recessed mounting and track mounting, satisfy the most strict lighting requirements for the museums and art galleries, and perfectly reveal impressive charm of precious antiques and arts with advanced optical system.

Wattage: 1W, 2W, 6W
 Beam angle: Spot 6°, 16°, Flood 26°, 47°, 54°x24°, 24°x54°, Wallwash and zoom 6°-25°, 8°-25°, 12°-65°, 6°-70°
 Color temperature: 3000K, 4000K
 Luminous flux: 95lm-570lm
 Installation method: stand mounting, surface mounting, recessed mounting and track mounting.
 Color: black
 Housing: machining aluminum alloy, anodized.
 Rotation & tilt: 360° rotation, 135°/90° tilt.
 Adapter: 1-circuit, can adapt to various types of tracks.
 Control mode: Group dimming, with dimmer.
 Brightness control range: 0-100%
 Interchangeable principal lens (Sprite X3): Spot 16°, Flood 26°, 47°, 54°x24°, 24°x54°, and Wallwash.
 Replaceable LED module: high-power LEDs on metal-core PCB, SDCM with 2 step MacAdam, collimating DAO, Trio, Viva lens, LED life span over 50000 hours.

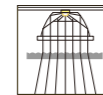
You can also choose the following products customization:
 Color temperature: 2700K, 3500K, 4500K, etc.
 Color: Customized color (Pantone color number)
 Control mode: Phase-cut dimming, Bluetooth dimming



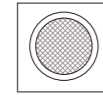
High CRI



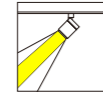
2 step MacAdam



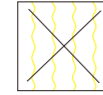
Triod optical system



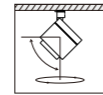
Interchangeable principal lens



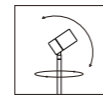
Multiple light types



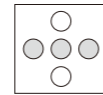
No Flicker



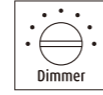
360°x90° rotation



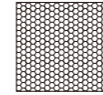
360°x135° rotation



Group dimming

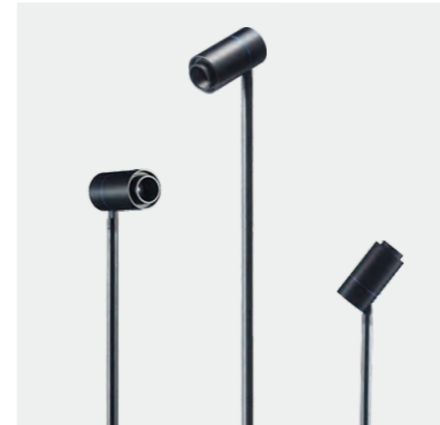


With dimmer



Anti-glare slides (Optional)

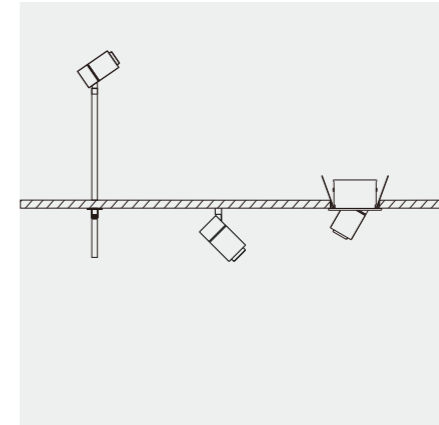
Sprite X1/X2/X3 Museum Cabinet Light



Free height adjusting, 360°x135° rotation

The stand mounting method of Sprite X1 museum cabinet light is specially designed for the three-dimensional lighting of museum independent

exhibition cabinet. The height is free to rise and fall, the vertical rotation of 45°+90°, the horizontal rotation of 360°.



1W with dia. 20mm x 38mm Multi mounting methods: Stand, Surface, Recessed

Patent designed Sprite X1 cabinet light can provide stand mounting, surface mounting and recessed mounting, conveniently satisfy

various exhibition lighting designs and are the professional choice for museums and art museums.



Four direction vertical correction, vertically straight installation

The vertical rectification structural components of Sprite X1 initiated by AKZU ensure that each light is installed vertically straight

inside cabinets by adjusting the height in four directions, and push the exhibition design of the museum cabinet to the extreme.



Sprite X2, 2W, multi beam angles

With the world museum-class high-power and high-efficiency light output LED chip, ultra-high color rendering, precise light control technology, with

dimmer, each design of Sprite X2 is created to focus precious exhibits at close range, especially in the 0.5-2m high exhibition cabinet, so that each highlight and detail of the exhibits are displayed without omission.



Zoom 6°-70°, satisfy flexible exhibition designs

By tuning the front loop, Sprite X2 realizes consecutive beam angle zoom from 6°-65° to fit various sizes of exhibits

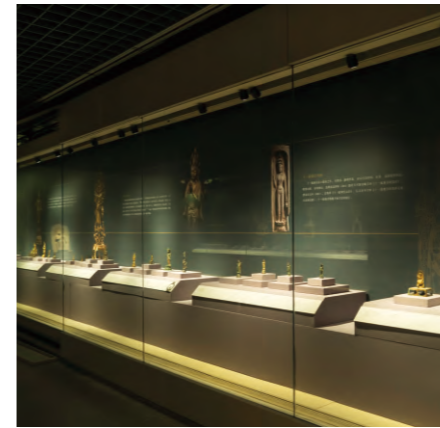
perfectly. The deeply built-in optical structure collects almost all the light beams to concentrate on the exhibits, extremely reduces the spilt light and provides visual comfort.



Recreation of original color, high CRI, freedom from Binning

Sprite cabinet lights adopt world advanced CRI 95 LEDs, the color temperature keeps a high degree of consistency, eliminating the

chromatic aberration to the maximum extent, making the exhibits more pure, saturated and thorough in color, revivifying the brilliance of history and art, and fully improving the display effect.



Sprite X3, especially for museum high cabinets

Despite of its tiny size, Sprite X3 equips with 6 kinds of light types and interchangeable principal lens structure with Neo-magnet technology, can

offer flexible applications for different museum cabinets lighting designs, especially for 1.5-3m museum cabinets.



Light conversion made easy by magnetic

Sprite X3 applies advanced precision optical components, realizes various light types from Direct spot 6° to Oval flood 54°x24° and Wallwash. The

interchangeable principal lens structure with Neo-magnet technology enables easy light type conversion.


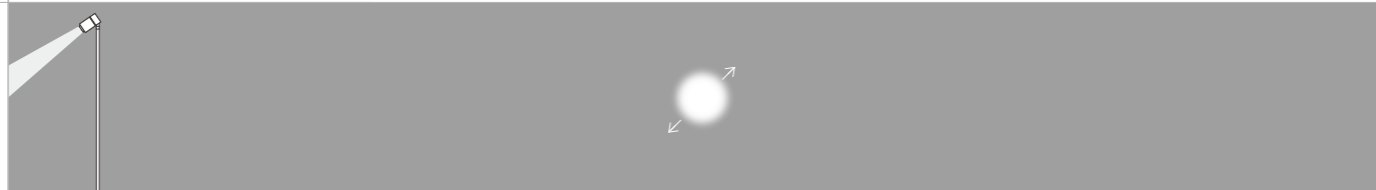
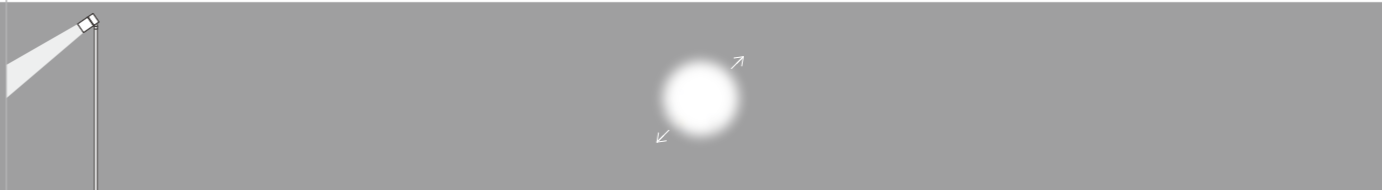


Matte surface treatment, reduce diffuse reflection

Sprite cabinet light is treated by fine hard anodic oxidation. The very fine matte surface particles give Sprite a compacted texture, which

corresponds to the modernist museum design style. At the same time, it avoids the diffuse reflection of environmental light, and greatly improves the heat dissipation effect.

Sprite X1 Specifications and lighting distribution data

Cabinet light																																														
Wattage	1W		1W																																											
Light type	Zoom		Zoom																																											
Beam angle	8°~25° Zoom		12°~65° Zoom																																											
Light type chart																																														
Color temperature ¹	3000K		4000K																																											
CRI(Ra/R9)	95/90		95/80																																											
Luminous flux ²	95lm		105lm																																											
Lighting distribution data ³	<table border="1"> <thead> <tr><th colspan="3">8°</th></tr> <tr><th>H(m)</th><th>D(m)</th><th>E(lx)</th></tr> </thead> <tbody> <tr><td>0.2</td><td>0.03</td><td>43119</td></tr> <tr><td>0.4</td><td>0.06</td><td>10780</td></tr> <tr><td>0.6</td><td>0.09</td><td>4791</td></tr> <tr><td>0.8</td><td>0.12</td><td>2695</td></tr> <tr><td>1.0</td><td>0.15</td><td>1725</td></tr> </tbody> </table>		8°			H(m)	D(m)	E(lx)	0.2	0.03	43119	0.4	0.06	10780	0.6	0.09	4791	0.8	0.12	2695	1.0	0.15	1725	<table border="1"> <thead> <tr><th colspan="3">8°</th></tr> <tr><th>H(m)</th><th>D(m)</th><th>E(lx)</th></tr> </thead> <tbody> <tr><td>0.2</td><td>0.03</td><td>47646</td></tr> <tr><td>0.4</td><td>0.06</td><td>11912</td></tr> <tr><td>0.6</td><td>0.09</td><td>5294</td></tr> <tr><td>0.8</td><td>0.12</td><td>2978</td></tr> <tr><td>1.0</td><td>0.15</td><td>1906</td></tr> </tbody> </table>		8°			H(m)	D(m)	E(lx)	0.2	0.03	47646	0.4	0.06	11912	0.6	0.09	5294	0.8	0.12	2978	1.0	0.15	1906
	8°																																													
	H(m)	D(m)	E(lx)																																											
	0.2	0.03	43119																																											
0.4	0.06	10780																																												
0.6	0.09	4791																																												
0.8	0.12	2695																																												
1.0	0.15	1725																																												
8°																																														
H(m)	D(m)	E(lx)																																												
0.2	0.03	47646																																												
0.4	0.06	11912																																												
0.6	0.09	5294																																												
0.8	0.12	2978																																												
1.0	0.15	1906																																												
<table border="1"> <thead> <tr><th colspan="3">25°</th></tr> <tr><th>H(m)</th><th>D(m)</th><th>E(lx)</th></tr> </thead> <tbody> <tr><td>0.2</td><td>0.09</td><td>9518</td></tr> <tr><td>0.4</td><td>0.18</td><td>2379</td></tr> <tr><td>0.6</td><td>0.26</td><td>1058</td></tr> <tr><td>0.8</td><td>0.35</td><td>595</td></tr> <tr><td>1.0</td><td>0.44</td><td>381</td></tr> </tbody> </table>		25°			H(m)	D(m)	E(lx)	0.2	0.09	9518	0.4	0.18	2379	0.6	0.26	1058	0.8	0.35	595	1.0	0.44	381	<table border="1"> <thead> <tr><th colspan="3">25°</th></tr> <tr><th>H(m)</th><th>D(m)</th><th>E(lx)</th></tr> </thead> <tbody> <tr><td>0.2</td><td>0.09</td><td>10509</td></tr> <tr><td>0.4</td><td>0.18</td><td>2627</td></tr> <tr><td>0.6</td><td>0.26</td><td>1168</td></tr> <tr><td>0.8</td><td>0.35</td><td>657</td></tr> <tr><td>1.0</td><td>0.44</td><td>420</td></tr> </tbody> </table>		25°			H(m)	D(m)	E(lx)	0.2	0.09	10509	0.4	0.18	2627	0.6	0.26	1168	0.8	0.35	657	1.0	0.44	420	
25°																																														
H(m)	D(m)	E(lx)																																												
0.2	0.09	9518																																												
0.4	0.18	2379																																												
0.6	0.26	1058																																												
0.8	0.35	595																																												
1.0	0.44	381																																												
25°																																														
H(m)	D(m)	E(lx)																																												
0.2	0.09	10509																																												
0.4	0.18	2627																																												
0.6	0.26	1168																																												
0.8	0.35	657																																												
1.0	0.44	420																																												
<table border="1"> <thead> <tr><th colspan="3">12°</th></tr> <tr><th>H(m)</th><th>D(m)</th><th>E(lx)</th></tr> </thead> <tbody> <tr><td>0.2</td><td>0.04</td><td>9575</td></tr> <tr><td>0.4</td><td>0.08</td><td>2394</td></tr> <tr><td>0.6</td><td>0.12</td><td>1064</td></tr> <tr><td>0.8</td><td>0.16</td><td>598</td></tr> <tr><td>1.0</td><td>0.20</td><td>383</td></tr> </tbody> </table>		12°			H(m)	D(m)	E(lx)	0.2	0.04	9575	0.4	0.08	2394	0.6	0.12	1064	0.8	0.16	598	1.0	0.20	383	<table border="1"> <thead> <tr><th colspan="3">12°</th></tr> <tr><th>H(m)</th><th>D(m)</th><th>E(lx)</th></tr> </thead> <tbody> <tr><td>0.2</td><td>0.04</td><td>10054</td></tr> <tr><td>0.4</td><td>0.08</td><td>2513</td></tr> <tr><td>0.6</td><td>0.12</td><td>1117</td></tr> <tr><td>0.8</td><td>0.16</td><td>628</td></tr> <tr><td>1.0</td><td>0.20</td><td>402</td></tr> </tbody> </table>		12°			H(m)	D(m)	E(lx)	0.2	0.04	10054	0.4	0.08	2513	0.6	0.12	1117	0.8	0.16	628	1.0	0.20	402	
12°																																														
H(m)	D(m)	E(lx)																																												
0.2	0.04	9575																																												
0.4	0.08	2394																																												
0.6	0.12	1064																																												
0.8	0.16	598																																												
1.0	0.20	383																																												
12°																																														
H(m)	D(m)	E(lx)																																												
0.2	0.04	10054																																												
0.4	0.08	2513																																												
0.6	0.12	1117																																												
0.8	0.16	628																																												
1.0	0.20	402																																												
<table border="1"> <thead> <tr><th colspan="3">65°</th></tr> <tr><th>H(m)</th><th>D(m)</th><th>E(lx)</th></tr> </thead> <tbody> <tr><td>0.2</td><td>0.27</td><td>1425</td></tr> <tr><td>0.4</td><td>0.55</td><td>356</td></tr> <tr><td>0.6</td><td>0.82</td><td>158</td></tr> <tr><td>0.8</td><td>1.10</td><td>89</td></tr> <tr><td>1.0</td><td>1.37</td><td>57</td></tr> </tbody> </table>		65°			H(m)	D(m)	E(lx)	0.2	0.27	1425	0.4	0.55	356	0.6	0.82	158	0.8	1.10	89	1.0	1.37	57	<table border="1"> <thead> <tr><th colspan="3">65°</th></tr> <tr><th>H(m)</th><th>D(m)</th><th>E(lx)</th></tr> </thead> <tbody> <tr><td>0.2</td><td>0.27</td><td>1496</td></tr> <tr><td>0.4</td><td>0.55</td><td>374</td></tr> <tr><td>0.6</td><td>0.82</td><td>166</td></tr> <tr><td>0.8</td><td>1.10</td><td>94</td></tr> <tr><td>1.0</td><td>1.37</td><td>60</td></tr> </tbody> </table>		65°			H(m)	D(m)	E(lx)	0.2	0.27	1496	0.4	0.55	374	0.6	0.82	166	0.8	1.10	94	1.0	1.37	60	
65°																																														
H(m)	D(m)	E(lx)																																												
0.2	0.27	1425																																												
0.4	0.55	356																																												
0.6	0.82	158																																												
0.8	1.10	89																																												
1.0	1.37	57																																												
65°																																														
H(m)	D(m)	E(lx)																																												
0.2	0.27	1496																																												
0.4	0.55	374																																												
0.6	0.82	166																																												
0.8	1.10	94																																												
1.0	1.37	60																																												
Control mode ⁴																																														
Group dimming	✓		✓																																											
Installation method ⁵																																														
Surface mounting	●		●																																											
Recessed mounting	●		●																																											
Stand mounting	●		●																																											
Insulation class	Class III		Class III																																											
Protection degree	IP20		IP20																																											
Voltage ⁴	3VDC		3VDC																																											
Rotation & tilt	360°x135°		360°x135°																																											
Recess depth	≥50mm		≥50mm																																											
Ceiling thickness	1-30mm		1-30mm																																											
Surface mounting cut-out	φ 10mm		φ 10mm																																											
Recessed mounting cut-out	φ 38mm		φ 38mm																																											
Stand mounting cut-out	φ 10mm		φ 10mm																																											
Dimension	φ 20mm x 38mm		φ 20mm x 38mm																																											
Weight	0.02Kg		0.02Kg																																											
Package dimension	92mm x 87mm x 55mm		92mm x 87mm x 55mm																																											
Article code																																														
Black	811049		811099																																											
Note	<p>1. Besides the standard 3000K, 4000K, other specification is also optional, like 2700K, 3500K, etc. 2. The listed luminous flux data is standard specification, higher light effect product can be customized upon request. 3. All data, images, and specifications are typical and for reference only, and may be changed due to product improvement without prior notice. 4. Input voltage is 3V for control mode of group dimming and 12V for with dimmer. Phase-cut dimming, bluetooth dimming are customized. 5. Optional surface mounting, recessed mounting, and stand mounting, depending on the actual project construction drawings. 6. For more information, please call 400-687-2598 or visit us at www.akzu.com.</p>																																													

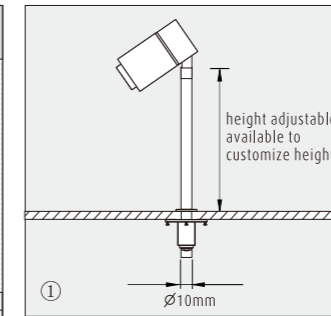
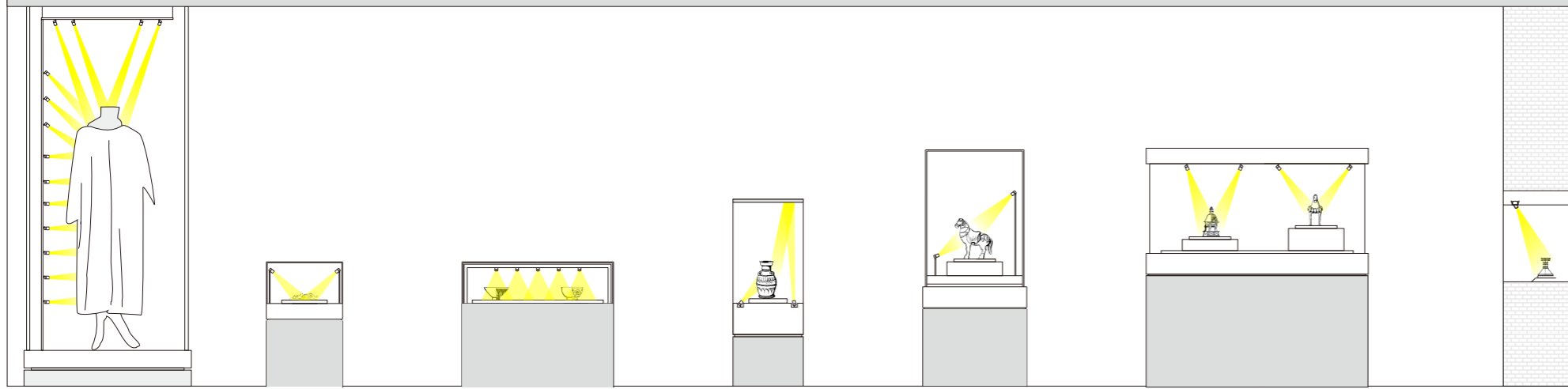
Sprite X2 Specifications and lighting distribution data																																																																																																																				
Cabinet light																																																																																																																				
Wattage	2W								2W																																																																																																											
Light type	Zoom								Spot				Flood				Broad flood				Oval flood				Wallwash																																																																																											
Beam angle	6°~25° Zoom				6°~65° Zoom				16° Spot				26° Flood				47° Flood B				54°x24° Flood H/24°x54° Flood V				Wallwash																																																																																											
Light type chart																																																																																																																				
Color temperature ¹	3000K		4000K		3000K		4000K		3000K		4000K		3000K		4000K		3000K		4000K		3000K		4000K		3000K		4000K																																																																																									
CRI(Ra/R9)	95/90		95/80		95/90		95/80		95/90		95/80		95/90		95/80		95/90		95/80		95/90		95/80		95/90		95/80																																																																																									
Luminous flux ²	170lm		190lm		170lm		190lm		170lm		190lm		170lm		190lm		170lm		190lm		170lm		190lm		170lm		190lm																																																																																									
Lighting distribution data ³	<table border="1"> <thead> <tr><th colspan="3">6°</th></tr> <tr><th>H(m)</th><th>D(m)</th><th>E(lx)</th></tr> </thead> <tbody> <tr><td>0.5</td><td>0.05</td><td>24300</td></tr> <tr><td>1.0</td><td>0.10</td><td>6075</td></tr> <tr><td>1.5</td><td>0.15</td><td>2700</td></tr> <tr><td>2.0</td><td>0.20</td><td>1519</td></tr> <tr><td>2.5</td><td>0.25</td><td>972</td></tr> </tbody> </table>		6°			H(m)	D(m)	E(lx)	0.5	0.05	24300	1.0	0.10	6075	1.5	0.15	2700	2.0	0.20	1519	2.5	0.25	972	<table border="1"> <thead> <tr><th colspan="3">6°</th></tr> <tr><th>H(m)</th><th>D(m)</th><th>E(lx)</th></tr> </thead> <tbody> <tr><td>0.5</td><td>0.05</td><td>27157</td></tr> <tr><td>1.0</td><td>0.10</td><td>6789</td></tr> <tr><td>1.5</td><td>0.15</td><td>3017</td></tr> <tr><td>2.0</td><td>0.20</td><td>1697</td></tr> <tr><td>2.5</td><td>0.25</td><td>1086</td></tr> </tbody> </table>		6°			H(m)	D(m)	E(lx)	0.5	0.05	27157	1.0	0.10	6789	1.5	0.15	3017	2.0	0.20	1697	2.5	0.25	1086	<table border="1"> <thead> <tr><th colspan="3">6°</th></tr> <tr><th>H(m)</th><th>D(m)</th><th>E(lx)</th></tr> </thead> <tbody> <tr><td>0.5</td><td>0.05</td><td>24300</td></tr> <tr><td>1.0</td><td>0.10</td><td>6075</td></tr> <tr><td>1.5</td><td>0.15</td><td>2700</td></tr> <tr><td>2.0</td><td>0.20</td><td>1519</td></tr> <tr><td>2.5</td><td>0.25</td><td>972</td></tr> </tbody> </table>		6°			H(m)	D(m)	E(lx)	0.5	0.05	24300	1.0	0.10	6075	1.5	0.15	2700	2.0	0.20	1519	2.5	0.25	972	<table border="1"> <thead> <tr><th colspan="3">6°</th></tr> <tr><th>H(m)</th><th>D(m)</th><th>E(lx)</th></tr> </thead> <tbody> <tr><td>0.5</td><td>0.05</td><td>27157</td></tr> <tr><td>1.0</td><td>0.10</td><td>6789</td></tr> <tr><td>1.5</td><td>0.15</td><td>3017</td></tr> <tr><td>2.0</td><td>0.20</td><td>1697</td></tr> <tr><td>2.5</td><td>0.25</td><td>1086</td></tr> </tbody> </table>		6°			H(m)	D(m)	E(lx)	0.5	0.05	27157	1.0	0.10	6789	1.5	0.15	3017	2.0	0.20	1697	2.5	0.25	1086																								
	6°																																																																																																																			
H(m)	D(m)	E(lx)																																																																																																																		
0.5	0.05	24300																																																																																																																		
1.0	0.10	6075																																																																																																																		
1.5	0.15	2700																																																																																																																		
2.0	0.20	1519																																																																																																																		
2.5	0.25	972																																																																																																																		
6°																																																																																																																				
H(m)	D(m)	E(lx)																																																																																																																		
0.5	0.05	27157																																																																																																																		
1.0	0.10	6789																																																																																																																		
1.5	0.15	3017																																																																																																																		
2.0	0.20	1697																																																																																																																		
2.5	0.25	1086																																																																																																																		
6°																																																																																																																				
H(m)	D(m)	E(lx)																																																																																																																		
0.5	0.05	24300																																																																																																																		
1.0	0.10	6075																																																																																																																		
1.5	0.15	2700																																																																																																																		
2.0	0.20	1519																																																																																																																		
2.5	0.25	972																																																																																																																		
6°																																																																																																																				
H(m)	D(m)	E(lx)																																																																																																																		
0.5	0.05	27157																																																																																																																		
1.0	0.10	6789																																																																																																																		
1.5	0.15	3017																																																																																																																		
2.0	0.20	1697																																																																																																																		
2.5	0.25	1086																																																																																																																		
	<table border="1"> <thead> <tr><th colspan="3">25°</th></tr> <tr><th>H(m)</th><th>D(m)</th><th>E(lx)</th></tr> </thead> <tbody> <tr><td>0.5</td><td>0.22</td><td>2724</td></tr> <tr><td>1.0</td><td>0.44</td><td>681</td></tr> <tr><td>1.5</td><td>0.66</td><td>303</td></tr> <tr><td>2.0</td><td>0.88</td><td>170</td></tr> <tr><td>2.5</td><td>1.10</td><td>109</td></tr> </tbody> </table>		25°			H(m)	D(m)	E(lx)	0.5	0.22	2724	1.0	0.44	681	1.5	0.66	303	2.0	0.88	170	2.5	1.10	109	<table border="1"> <thead> <tr><th colspan="3">25°</th></tr> <tr><th>H(m)</th><th>D(m)</th><th>E(lx)</th></tr> </thead> <tbody> <tr><td>0.5</td><td>0.22</td><td>3044</td></tr> <tr><td>1.0</td><td>0.44</td><td>761</td></tr> <tr><td>1.5</td><td>0.66</td><td>338</td></tr> <tr><td>2.0</td><td>0.88</td><td>190</td></tr> <tr><td>2.5</td><td>1.10</td><td>122</td></tr> </tbody> </table>		25°			H(m)	D(m)	E(lx)	0.5	0.22	3044	1.0	0.44	761	1.5	0.66	338	2.0	0.88	190	2.5	1.10	122	<table border="1"> <thead> <tr><th colspan="3">65°</th></tr> <tr><th>H(m)</th><th>D(m)</th><th>E(lx)</th></tr> </thead> <tbody> <tr><td>0.5</td><td>0.67</td><td>333</td></tr> <tr><td>1.0</td><td>1.34</td><td>86</td></tr> <tr><td>1.5</td><td>2.02</td><td>37</td></tr> <tr><td>2.0</td><td>2.69</td><td>21</td></tr> <tr><td>2.5</td><td>3.36</td><td>13</td></tr> </tbody> </table>		65°			H(m)	D(m)	E(lx)	0.5	0.67	333	1.0	1.34	86	1.5	2.02	37	2.0	2.69	21	2.5	3.36	13	<table border="1"> <thead> <tr><th colspan="3">65°</th></tr> <tr><th>H(m)</th><th>D(m)</th><th>E(lx)</th></tr> </thead> <tbody> <tr><td>0.5</td><td>0.67</td><td>372</td></tr> <tr><td>1.0</td><td>1.34</td><td>93</td></tr> <tr><td>1.5</td><td>2.02</td><td>41</td></tr> <tr><td>2.0</td><td>2.69</td><td>23</td></tr> <tr><td>2.5</td><td>3.36</td><td>15</td></tr> </tbody> </table>		65°			H(m)	D(m)	E(lx)	0.5	0.67	372	1.0	1.34	93	1.5	2.02	41	2.0	2.69	23	2.5	3.36	15	H(m) D(m) E(lx)		H(m) D(m) E(lx)		H(m) D(m) E(lx)		H(m) D(m) E(lx)		H(m) D(m) E(lx)		H(m) D(m) E(lx)		H(m) D(m) E(lx)		H(m) D(m) E(lx)		H(m) D(m) E(lx)		H(m) D(m) E(lx)		H(m) D(m) E(lx)		H(m) D(m) E(lx)	
25°																																																																																																																				
H(m)	D(m)	E(lx)																																																																																																																		
0.5	0.22	2724																																																																																																																		
1.0	0.44	681																																																																																																																		
1.5	0.66	303																																																																																																																		
2.0	0.88	170																																																																																																																		
2.5	1.10	109																																																																																																																		
25°																																																																																																																				
H(m)	D(m)	E(lx)																																																																																																																		
0.5	0.22	3044																																																																																																																		
1.0	0.44	761																																																																																																																		
1.5	0.66	338																																																																																																																		
2.0	0.88	190																																																																																																																		
2.5	1.10	122																																																																																																																		
65°																																																																																																																				
H(m)	D(m)	E(lx)																																																																																																																		
0.5	0.67	333																																																																																																																		
1.0	1.34	86																																																																																																																		
1.5	2.02	37																																																																																																																		
2.0	2.69	21																																																																																																																		
2.5	3.36	13																																																																																																																		
65°																																																																																																																				
H(m)	D(m)	E(lx)																																																																																																																		
0.5	0.67	372																																																																																																																		
1.0	1.34	93																																																																																																																		
1.5	2.02	41																																																																																																																		
2.0	2.69	23																																																																																																																		
2.5	3.36	15																																																																																																																		
Control mode ⁴																																																																																																																				
Group dimming	✓		✓		✓		✓		✓		✓		✓		✓		✓		✓		✓		✓		✓		✓																																																																																									
With dimmer		✓		✓		✓		✓		✓		✓		✓		✓		✓		✓		✓		✓		✓		✓																																																																																								
Installation method ⁵																																																																																																																				
Surface mounting	●		●		●		●		●		●		●		●		●		●		●		●		●		●																																																																																									
Track mounting	●		●		●		●		●		●		●		●		●		●		●		●		●		●																																																																																									
Recessed mounting	●		●		●		●		●		●		●		●		●		●		●		●		●		●																																																																																									
Insulation class	Class III								Class III								Class III																																																																																																			
Protection degree	IP20								IP20								IP20																																																																																																			
Voltage	3V/12V								3V/12V								3V/12V																																																																																																			
Rotation & tilt	360°x90°								360°x90°								360°x90°																																																																																																			
Recess depth	≥ 100mm								≥ 100mm								≥ 100mm																																																																																																			
Ceiling thickness	1-30mm								1-30mm								1-30mm																																																																																																			
Surface mounting cut-out	φ 13mm								φ 13mm								φ 13mm																																																																																																			
Recessed mounting cut-out	φ 58mm								φ 58mm								φ 58mm																																																																																																			
Dimension	φ 40mm x 54mm (light head)								φ 40mm x 54mm (light head)								φ 40mm x 54mm (light head)																																																																																																			
Weight	0.10Kg								0.10Kg								0.10Kg																																																																																																			
Package dimension	92mm x 87mm x 55mm								92mm x 87mm x 55mm								92mm x 87mm x 55mm																																																																																																			
Article code																																																																																																																				
Black	812013	812016	812063	812066	812269	812270	812319	812320	812025	812028	812075	812078	812037	812040	812087	812090	812049	812050	812099	812100	812201	812202	812205	812206	812203	812204	812207	812208																																																																																								
Note	<p>1. Besides the standard 3000K, 4000K, other specification is also optional, like 2700K, 3500K, etc.</p> <p>2. The listed luminous flux data is standard specification, higher light effect product can be customized upon request.</p> <p>3. All data, images, and specifications are typical and for reference only, and may be changed due to product improvement without prior notice.</p> <p>4. Input voltage is 3V for control mode of group dimming and 12V for with dimmer. Phase-cut dimming, bluetooth dimming are customized.</p> <p>5. Optional surface mounting, recessed mounting, track mounting, depending on the actual project construction drawings.</p> <p>6. For more information, please call 400-687-2598 or visit us at www.akzu.com.</p>																																																																																																																			

Sprite X3 Specifications and lighting distribution data

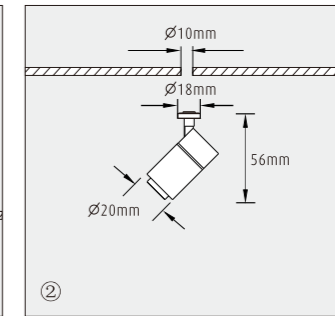
Cabinet light																																						
Wattage	2W												6W																									
Light type	Direct spot		Narrow spot				Spot		Flood		Oval flood		Wallwash																									
Beam angle	6° Spot D		9° Spot N				16° Spot		26° Flood		47° Broad Flood		54°x24° Flood H/24°x54° Flood V				Wallwash																					
Light type chart																																						
Color temperature ¹	3000K	4000K	3000K	4000K	3000K	4000K	3000K	4000K	3000K	4000K	3000K	4000K	3000K	4000K	3000K	4000K	3000K	4000K	3000K	4000K	3000K	4000K	3000K	4000K														
CRI(Ra/R9)	95/90	95/80	95/90	95/80	95/90	95/80	95/90	95/80	95/90	95/80	95/90	95/80	95/90	95/80	95/90	95/80	95/90	95/80	95/90	95/80	95/90	95/80	95/90	95/80														
Luminous flux ²	170lm	190lm	170lm	190lm	170lm	190lm	510lm	570lm	510lm	570lm	510lm	570lm	510lm	570lm	510lm	570lm	510lm	570lm	510lm	570lm	510lm	570lm	510lm	570lm														
Lighting distribution data ³																																						
	H(m)	D(m)	E(lx)	H(m)	D(m)	E(lx)	H(m)	D(m)	E(lx)	H(m)	D(m)	E(lx)	H(m)	D(m)	E(lx)	H(m)	D(m)	E(lx)	H(m)	D(m)	E(lx)	H(m)	D(m)	E(lx)														
	1.0	0.10	7503	1.0	0.11	8379	1.0	0.16	2416	1.0	0.16	2700	1.0	0.28	3511	1.0	0.28	3924	1.0	0.46	1819	1.0	0.46	2029	1.0	0.91	512	1.0	0.91	611	C0	C90	C0	C90				
	1.5	0.16	3335	1.5	0.16	3724	1.5	0.24	1074	1.5	0.24	1200	1.5	0.42	1560	1.5	0.42	1744	1.5	0.69	808	1.5	0.69	902	1.5	1.35	227	1.5	1.35	271	1.0	0.98	0.43	1014	1.0	0.98	0.43	1135
	2.0	0.21	1876	2.0	0.22	2095	2.0	0.32	604	2.0	0.32	675	2.0	0.56	878	2.0	0.56	981	2.0	0.92	455	2.0	0.92	507	2.0	1.81	137	2.0	1.81	152	2.0	1.95	0.85	253	2.0	1.95	0.85	284
2.5	0.26	1201	2.5	0.27	1341	2.5	0.40	387	2.5	0.40	432	2.5	0.70	562	2.5	0.70	628	2.5	1.15	291	2.5	1.15	325	2.5	2.27	81	2.5	2.27	97	2.5	2.44	1.06	162	2.5	2.44	1.06	182	
3.0	0.31	834	3.0	0.32	931	3.0	0.48	268	3.0	0.48	300	3.0	0.84	390	3.0	0.84	436	3.0	1.39	202	3.0	1.39	225	3.0	2.72	61	3.0	2.72	67	3.0	2.93	1.28	113	3.0	2.93	1.28	126	
Interchangeable principal lens	✓	✓	✓	✓	✓	✓	✓	✓	✓	✓	✓	✓	✓	✓	✓	✓	✓	✓	✓	✓	✓	✓	✓	✓														
Control mode ⁴																																						
Group dimming	✓		✓		✓		✓		✓		✓		✓		✓		✓		✓		✓		✓															
With dimmer		✓		✓		✓		✓		✓		✓		✓		✓		✓		✓		✓		✓														
Installation method ⁵																																						
Surface mounting	●		●		●		●		●		●		●		●		●		●		●		●															
Track mounting	●		●		●		●		●		●		●		●		●		●		●		●															
Recessed mounting	●		●		●		●		●		●		●		●		●		●		●		●															
Insulation class	Class III												Class III																									
Protection degree	IP20												IP20																									
Voltage	3V/12V												9V/12V																									
Rotation & tilt	360°x90°												360°x90°																									
Recess depth	≥100mm												≥100mm																									
Ceiling thickness	1-30mm												1-30mm																									
Surface mounting cut-out	φ 13mm												φ 13mm																									
Recessed mounting cut-out	φ 104mm												φ 104mm																									
Dimension	φ 64mm x 64mm (light head)												φ 64mm x 64mm (light head)																									
Weight	0.23Kg												0.23Kg																									
Package dimension	139mm x 92mm x 87mm												139mm x 92mm x 87mm																									
Article code																																						
Black	813001	813004	813051	813054	813233	813236	813283	813286	813025	813028	813075	813078	813037	813040	813087	813090	813049	813050	813099	813100	813201	813202	813205	813206	813203	813204	813207	813208										
Note	<p>1. Besides the standard 3000K, 4000K, other specification is also optional, like 2700K, 3500K, etc.</p> <p>2. The listed luminous flux data is standard specification, higher light effect product can be customized upon request.</p> <p>3. All data, images, and specifications are typical and for reference only, and may be changed due to product improvement without prior notice.</p> <p>4. Sprite X3 is equipped with replaceable principal lens component. Light type conversion can be realized among 6°, 9°, 16°, 29°, 47°, 55°x19° and Wallwash;</p> <p>5. Input voltage is 3V for control mode of group dimming and 12V for with dimmer. Phase-cut dimming, bluetooth dimming are customized.</p> <p>6. Optional surface mounting, recessed mounting, track mounting, depending on the actual project construction drawings.</p> <p>7. For more information, please call 400-687-2598 or visit us at www.akzu.com.</p>																																					

Sprite X1/X2/X3 Museum Cabinet Light

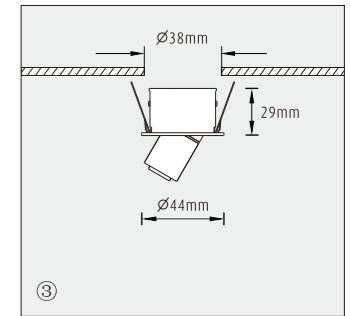
Sprite X1 Installation method



Stand mounting

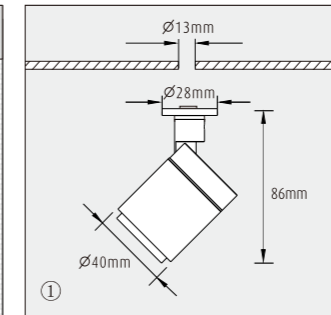
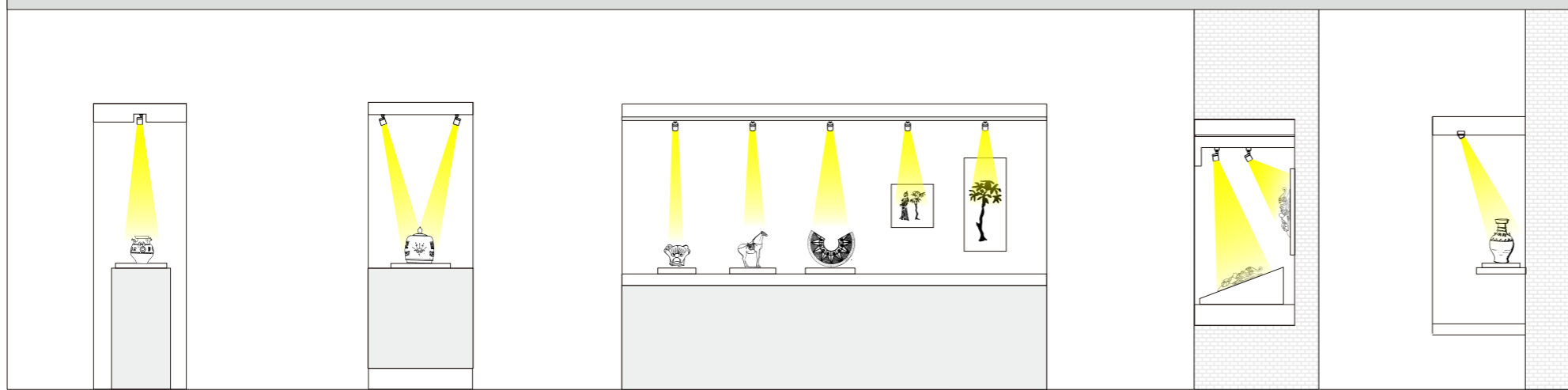


Surface mounting

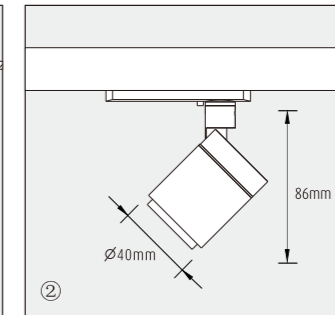


Recessed mounting

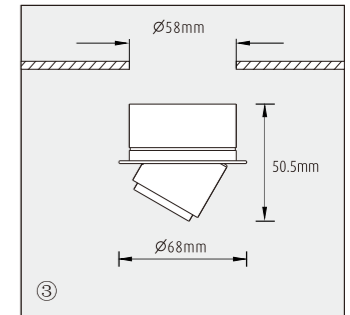
Sprite X2 Installation method



Surface mounting

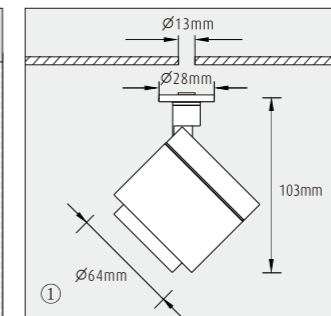
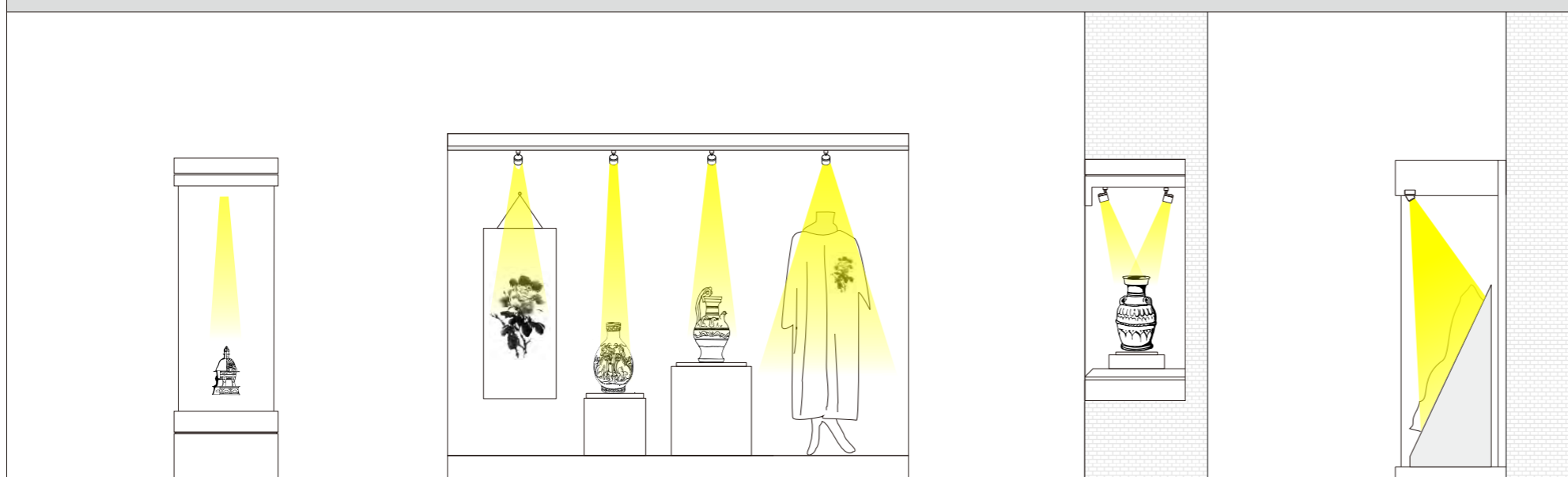


Track mounting

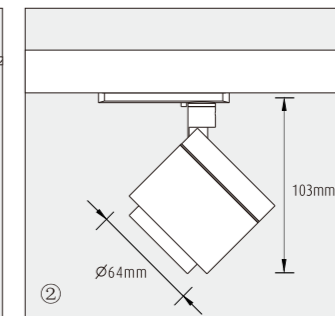


Recessed mounting

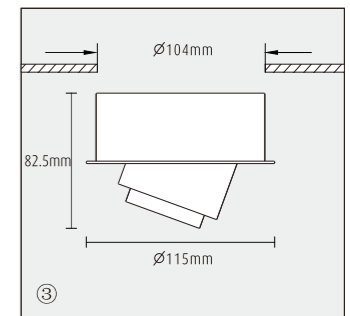
Sprite X3 Installation method



Surface mounting

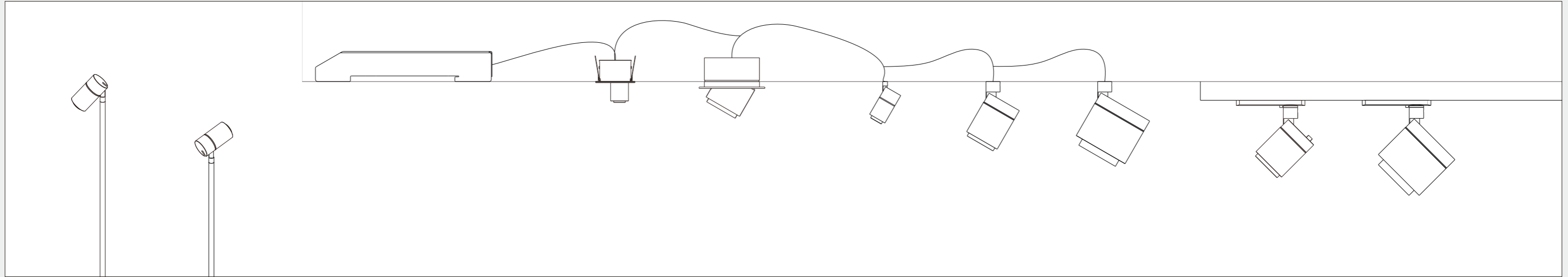


Track mounting



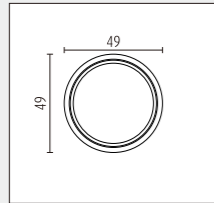
Recessed mounting

Sprite X1/X2/X3 Museum Cabinet Light



Sprite X3 cabinet light accessories

Sprite X3 cabinet light accessories



Spot D
107043.001 Black

Spot N
107043.002 Black

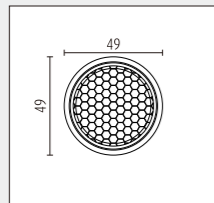
Spot
107043.003 Black

Flood
107043.004 Black

Flood H
107043.005 Black

Flood V
107043.006 Black

Wallwash
107043.007 Black



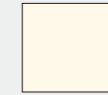
Anti-glare slides
181007.002 Black

Sprite X3 product customization

Color temperature



2700K
CRI 95



3500K
CRI 95



4500K



Others

Higher lighting efficiency



Control mode



Phase-cut
dimming



Bluetooth
dimming

Color



Customized color (Pantone color number)

For more product information, please visit us at akzu.com.